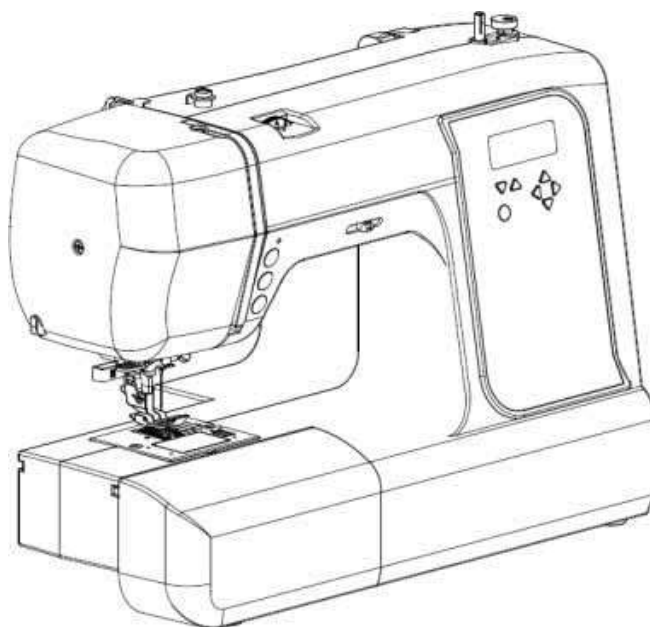


INSTRUCTION MANUAL
РУКОВОДСТВО ПО ЭКСПЛУАТАЦИИ
Computerized sewing machine
Компьютеризированной швейной машины

Model: LAZURITE
Модель: LAZURITE



Leader®

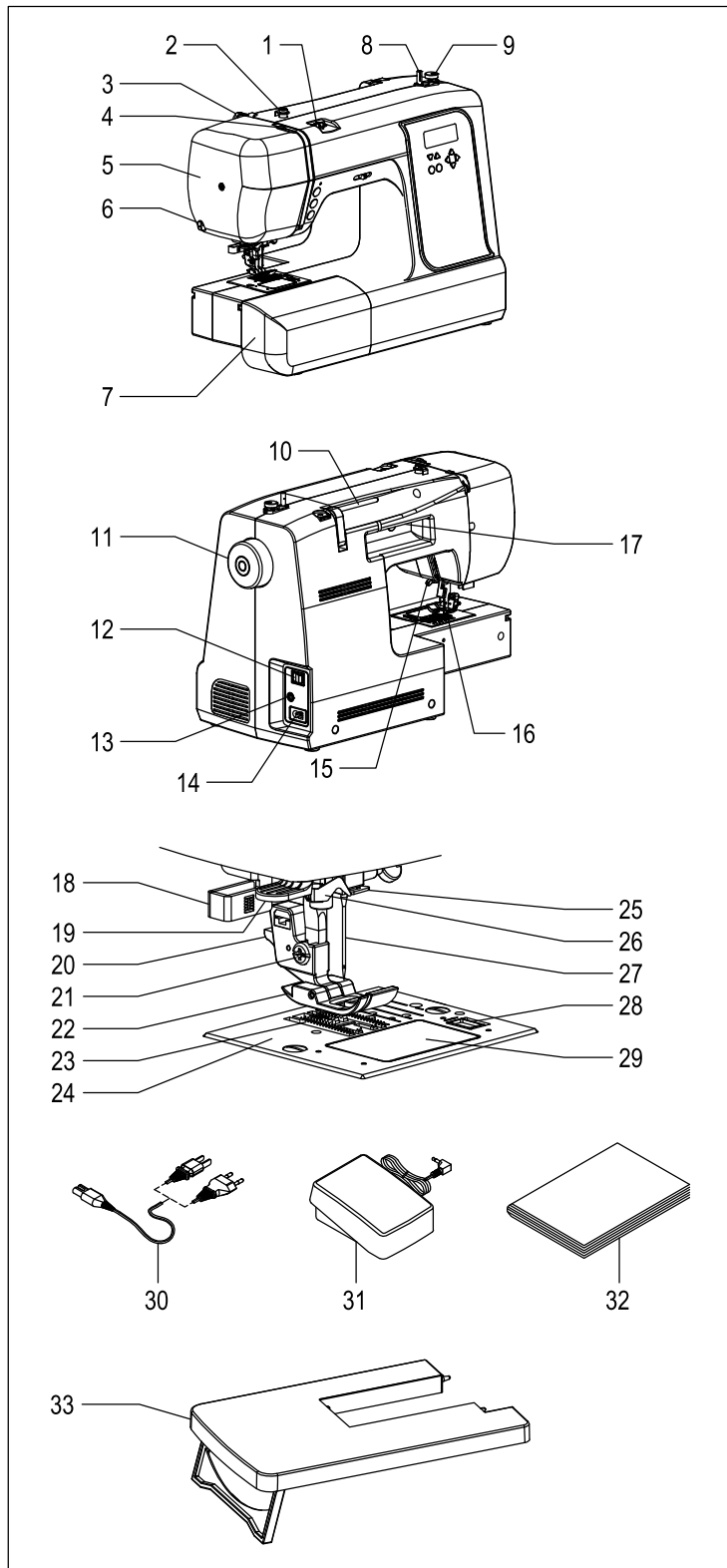
EAC

CE

1. KNOWING YOUR SEWING MACHINE

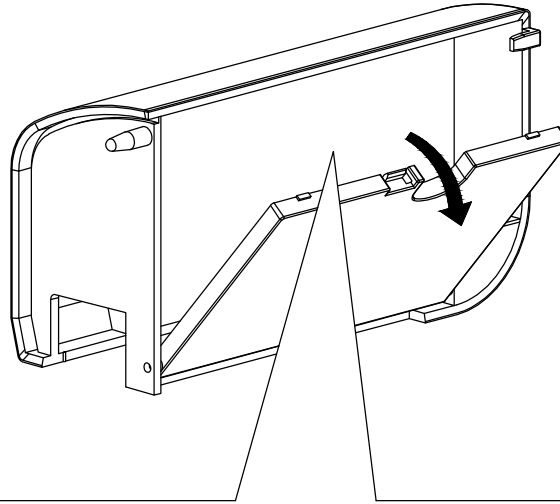
MACHINE IDENTIFICATION

1. Threading tension dial
2. Bobbin winder thread guide
3. Thread guide
4. Take up lever
5. Face plate
6. Thread cutter
7. Extension table (Accessory box)
8. Bobbin winder shaft
9. Bobbin winder stopper
10. Horizontal spool pin
11. Hand wheel
12. Power/light switch
13. Foot control socket
14. Cord socket
15. Needle clamp screw
16. Presser foot lifter
17. Handle
18. Buttonhole lever
19. Needle threading lever
20. Presser foot release button
21. Presser foot screw
22. Presser foot (J)
23. Feed dog
24. Needle plate
25. Thread guide
26. Threading guide
27. Needle
28. Bobbin case cover release button
29. Bobbin case cover
30. Power line cord
31. Foot control (Type:4C-333BS)
32. Instruction manual
33. Large extension plate

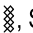



ACCESSORIES

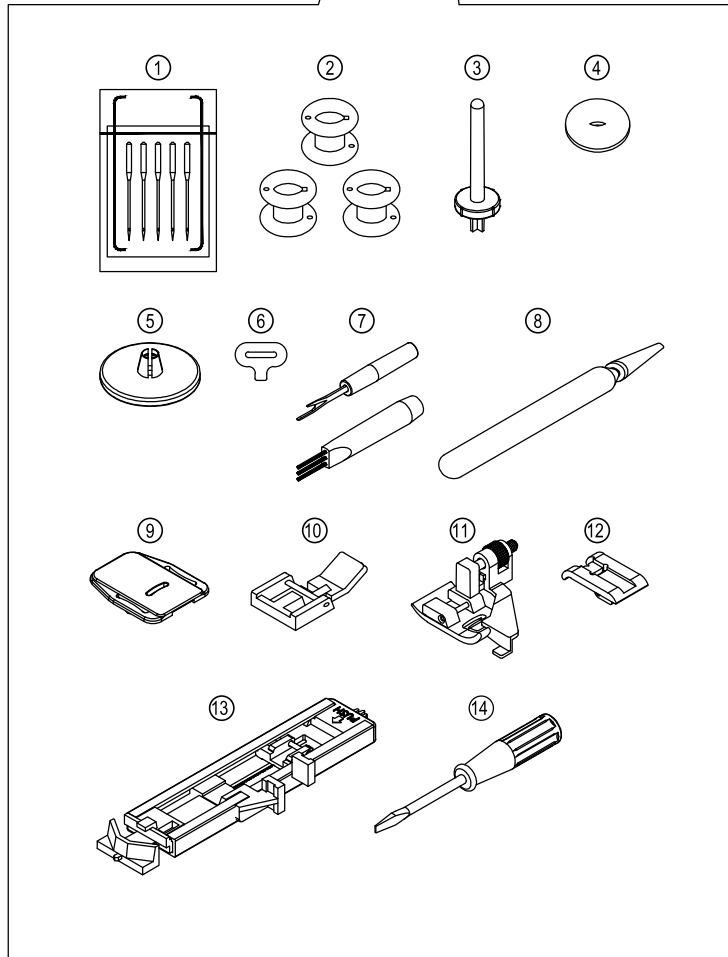
1. Needles
2. Bobbins (4 total - 1 in machine)
3. Auxiliary spool pin
4. Spool pin felt discs
5. Spool pin cap
6. Screwdriver for needle plate
7. Buttonhole opener/seam ripper and brush
8. Oiler (Optional part)
9. Darning plate
10. Zipper foot
11. Blind stitch foot (H)
12. Satin stitch foot (Z)
13. Buttonhole stitch foot (R)
14. Screwdriver



The Foot that comes on your Sewing machine is called the General Purpose Foot and will be used for the majority of your sewing.

The Satin Foot (12) should be used for most of your decorative sewing especially HONEYCOMB , STAR  etc.

When purchasing additional bobbins, be sure they are Class 15 J.

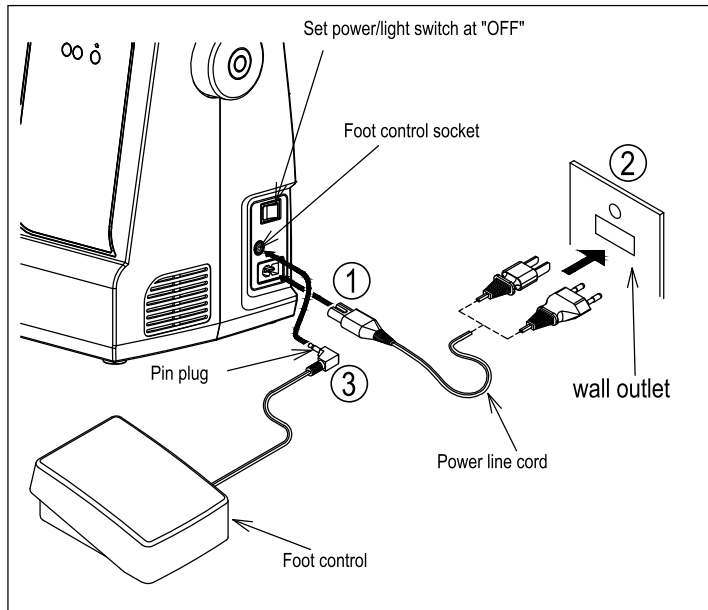


SETTING UP YOUR MACHINE

Be sure to wipe off any surplus oil from needle plate area before using your machine for the first time.

Connect the plug of the power line cord into the cord socket (1) Connect the power cord and plug as illustrated. (2) Connect the foot pedal into the machine socket as illustrated.

NOTE: When foot control is disconnected, the machine will not operate.

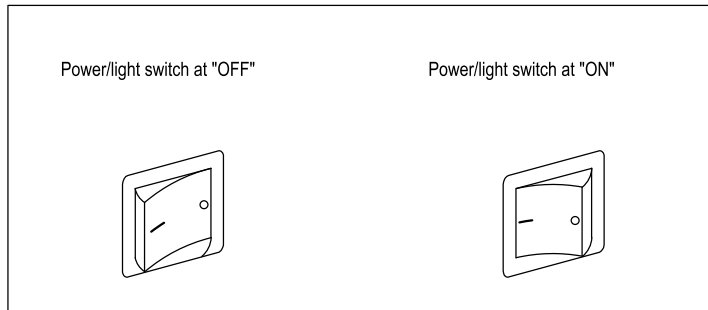


Always disconnect the machine from power supply by removing the plug from the wall-outlet.

POWER/LIGHT SWITCH

Your machine will not operate until the power/light switch is turned on. The same switch controls both the power and the light.

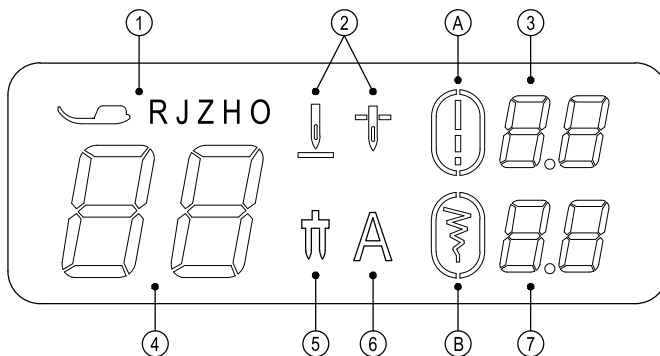
When servicing the machine, or changing needle, etc., machine must be disconnected from the power supply.



LCD DISPLAY

1. Sewing foot indicator
2. Needle up / needle down
3. Stitch length
4. Stitch pattern setting (00 to 99)
5. Twin needle function selected
6. Character stitches function selected
7. Stitch width

A. Indicates Optimum stitch Factory setting.*



* Will not appear on the LCD display if Stitch length and/or Stitch width are manually adjusted.

SPOOL PINS

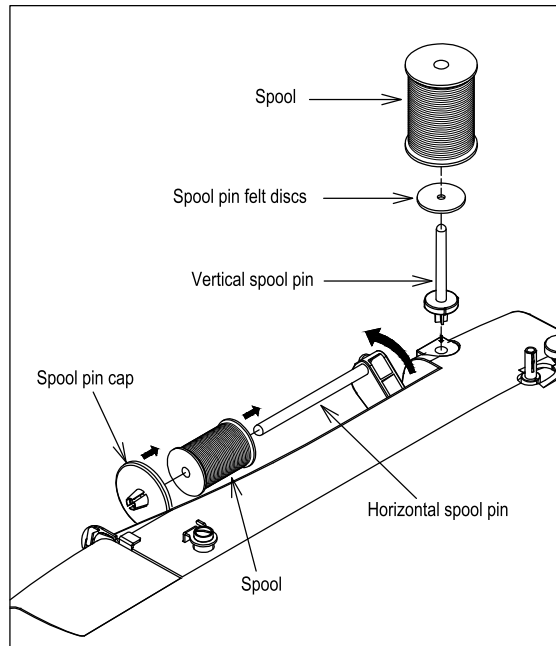
HORIZONTAL SPOOL PIN for normal thread spool

Place thread spool on the pin and secure with a spool cap to ensure smooth flow of thread. If the thread spool has a thread retaining slit, it should be placed to the right.

Select the correct spool pin cap according to the type and diameter of the spool. The spool pin cap should always be larger than the spool itself.

VERTICAL SPOOL PIN for large thread spool

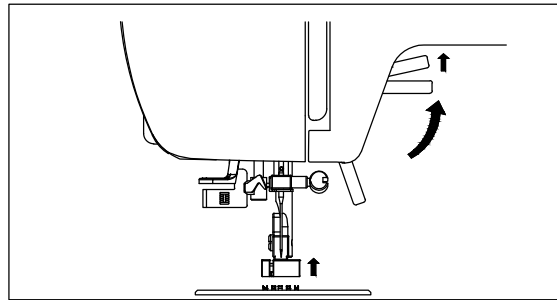
Attach the spool pin. Place the felt disc over it. Place a thread spool on the spool pin.



PRESSER FOOT LIFTER

There are three positions for your presser foot.

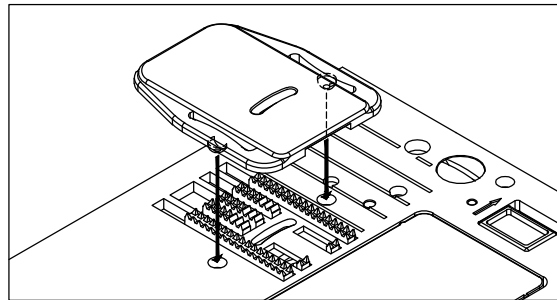
1. Lower the presser foot to sew.
2. Raise the lifter to the middle position to insert or remove fabric, and to change presser foot.
3. Lift it to its highest position to insert or to remove thick fabric.



DARNING PLATE

Use the darning plate when you need to control fabric feeding for button sewing, free motion work and free motion darning.

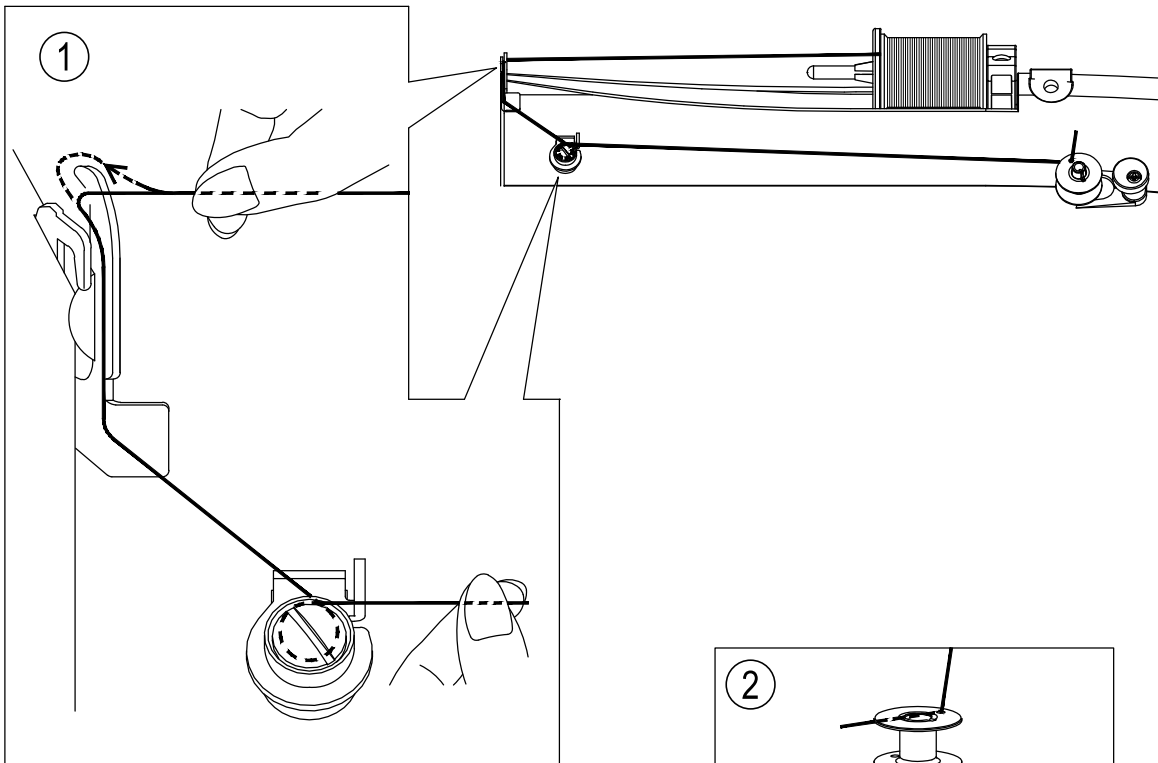
Raise needle and presser foot, and position darning plate onto the needle plate with the two pins on the back inserted to the holes of needle plate.



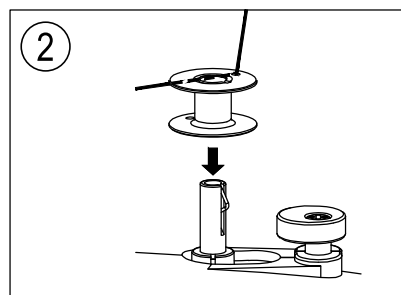
WINDING THE BOBBIN

Be sure to use class 15 J bobbins.

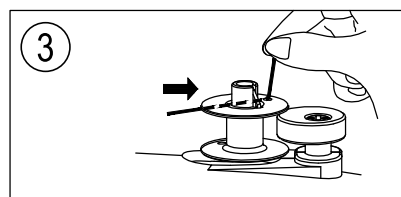
1. Place a spool of thread on the spool pin, and secure it with the spool pin cap. Pull the thread out from the spool and place it through thread guides as shown in illustration.



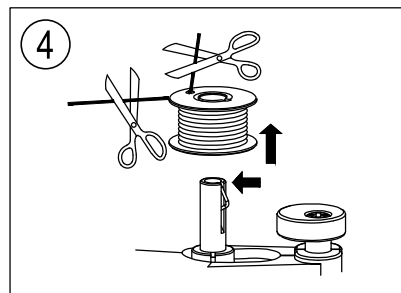
2. Put end of thread through the hole in bobbin as shown.



3. Push bobbin winder shaft to far left position, if it is not already there. Place bobbin onto shaft with end of thread coming from top of bobbin. Push bobbin winder shaft to the right until it clicks. Hold onto end of thread.



4. Start machine. After the bobbin has begun to fill, stop to cut the thread tail. Step on the foot control again to continue to fill the bobbin. The bobbin will automatically stop turning when completely filled. Push shaft to the left to remove bobbin and cut thread.



THREADING THE BOBBIN THREAD

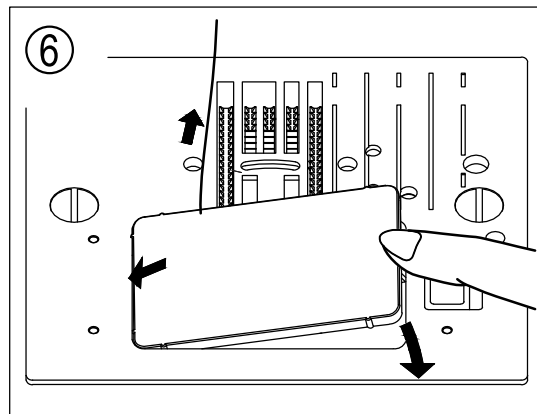
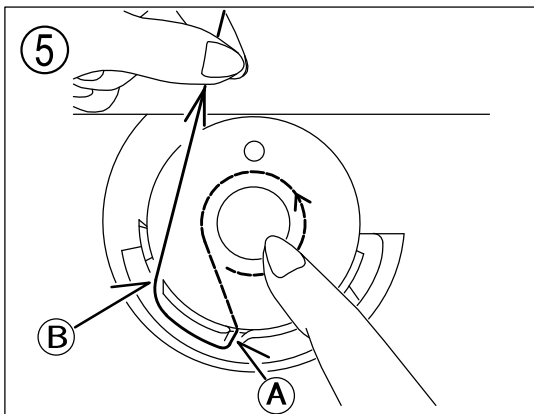
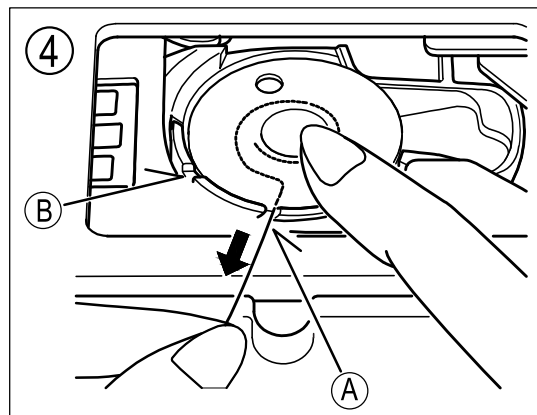
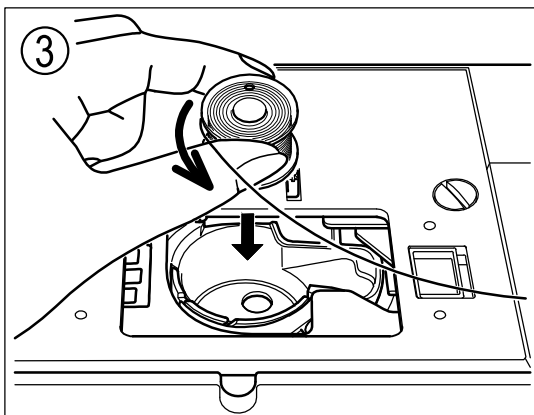
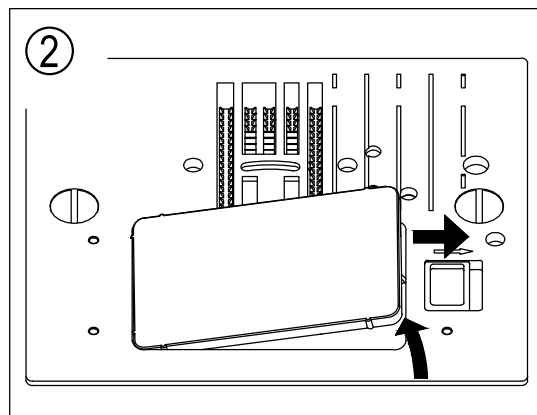
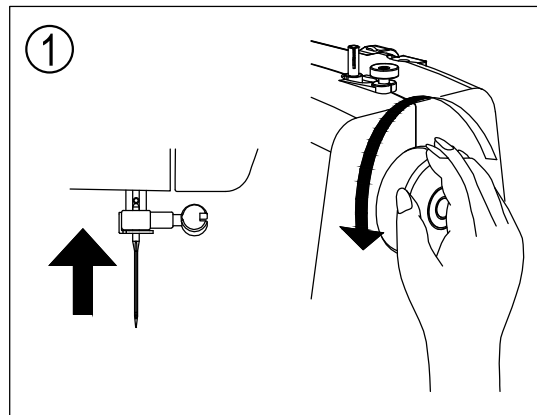
1. Raise the needle to its highest position by rotating the hand wheel counter clockwise.
2. Remove the bobbin cover plate by pushing the release button to the right. Bobbin cover will pop up to allow you to remove the cover.
3. Insert the bobbin making sure the bobbin rotates counterclockwise when you pull the thread.

NOTE: This is a very important step. The bobbin must rotate counterclockwise when thread is pulled.

4. Pull thread through the slot (A) and then to the left.
5. With your finger placed gently on top of the bobbin, pull the thread until it reaches the slot (B).

NOTE: Sewing can start without picking up the bobbin thread.

6. Replace the clear bobbin cover plate onto the needle plate.



THREADING THE TOP THREAD

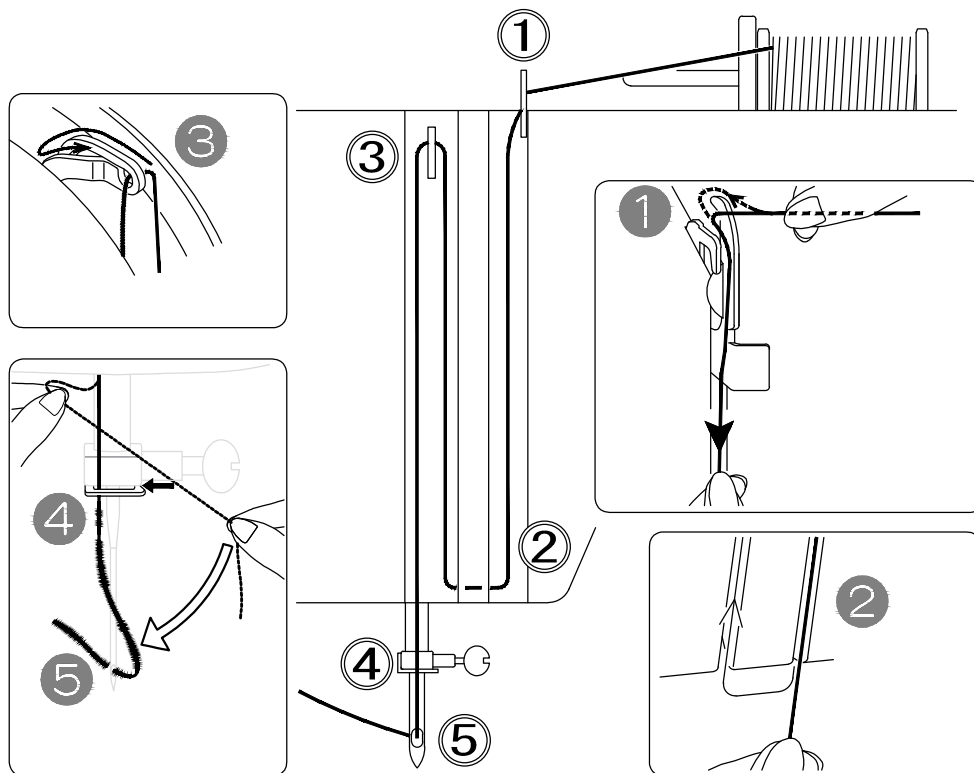
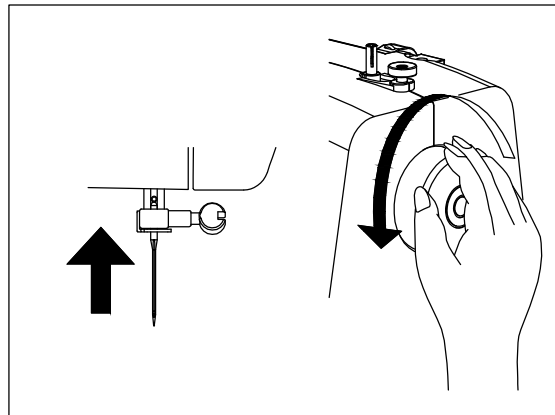
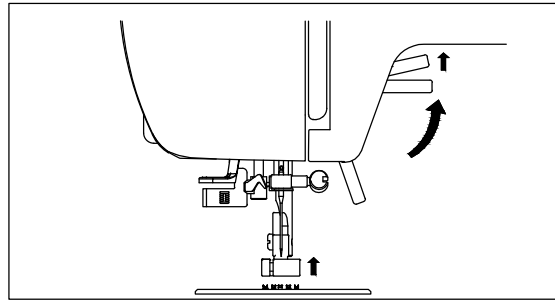
A. Raise the presser foot lifter. Always be sure to raise presser foot lifter before threading the top thread. (If the presser foot lifter is not raised, correct thread tension cannot be obtained.)

B. Turn the hand wheel counter-clockwise until the needle is in its highest position.

C. Thread the machine with your left hand while firmly gripping the thread with your right hand in the following order as illustrated.

1. Draw thread into thread guide using both hands.
2. While holding thread near spool, draw thread down into the tension area and then around the check spring holder.
3. Firmly draw thread up and through tack-up lever from right to left.
4. Draw thread down and slip it into needle bar thread guide.
5. Thread needle eye from front to back.

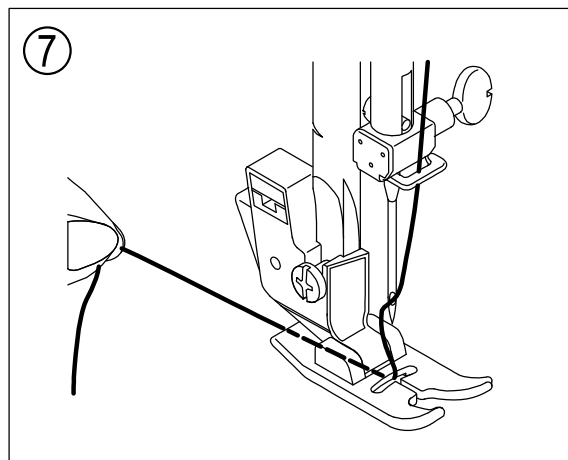
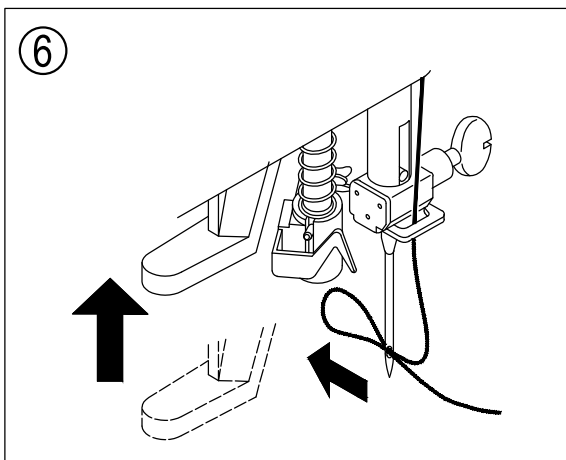
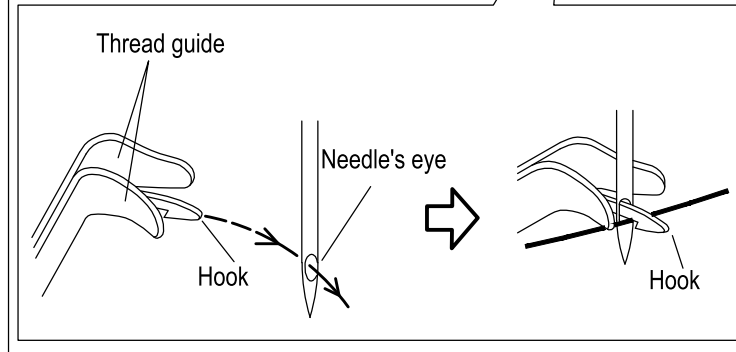
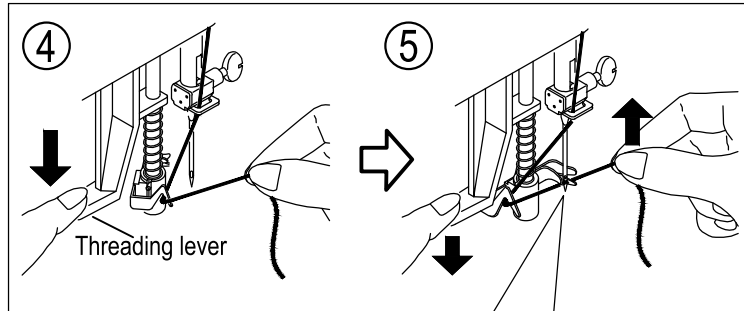
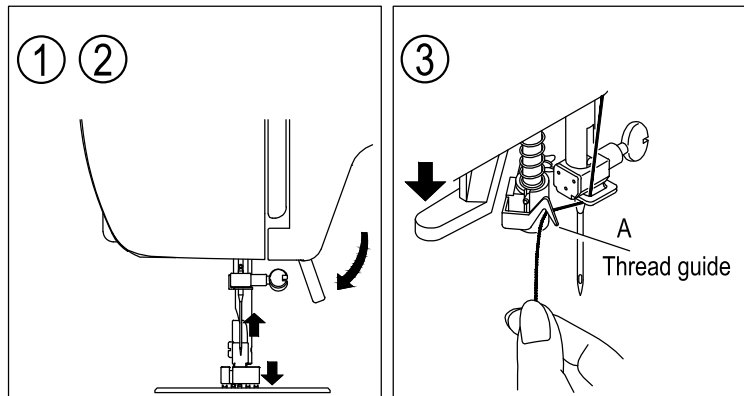
NOTE: You may want to cut the end of the thread with scissors for easier needle threading. Switch the power on after threading the machine and bobbin. You are now ready to sew.



USING AUTOMATIC NEEDLE THREADER

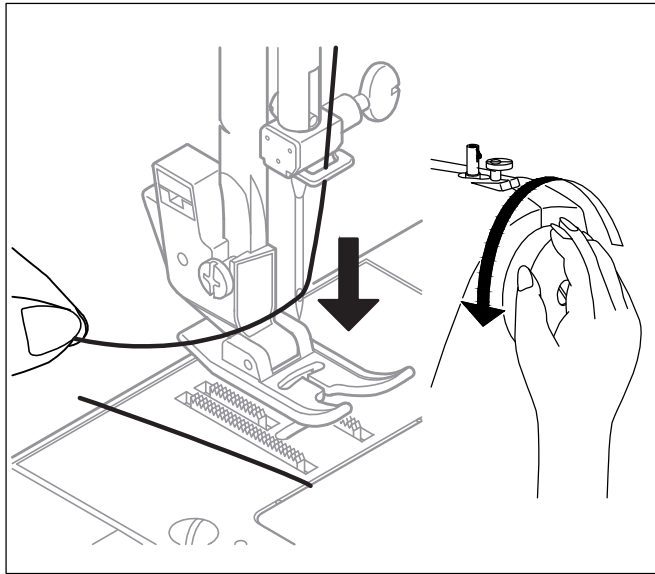
1. Lower the presser foot.
2. Raise the needle.
3. Lower the needle threader lever slowly. Pass thread round hook as inset A.
4. Lower the lever to its lowest position. Thread hook passes through needle eye.
5. Bring thread from hook A to the right side under the hook.
6. Hold the thread loosely, release the lever. A thread loop will pass through the needle eye.
7. Pull out the thread loop through the eye of the needle. Pass a 10 cm length of thread under the presserfoot.

NOTE: The needle threader is used with needles : sizes 11,14 and 16

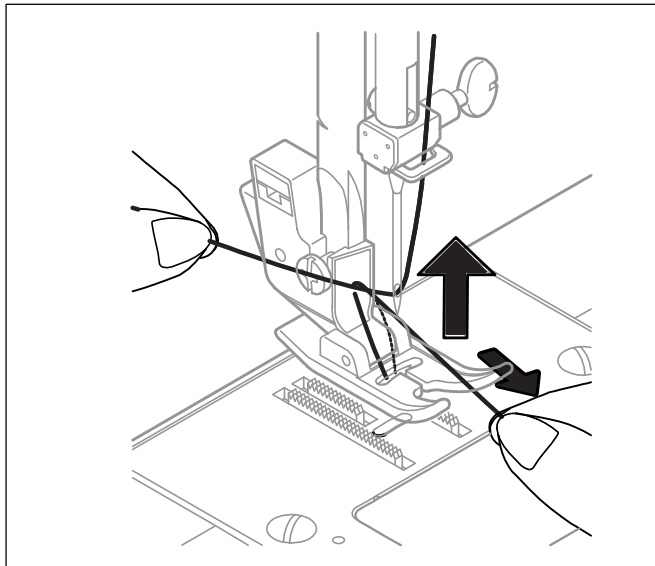


DRAWING UP BOBBIN THREAD

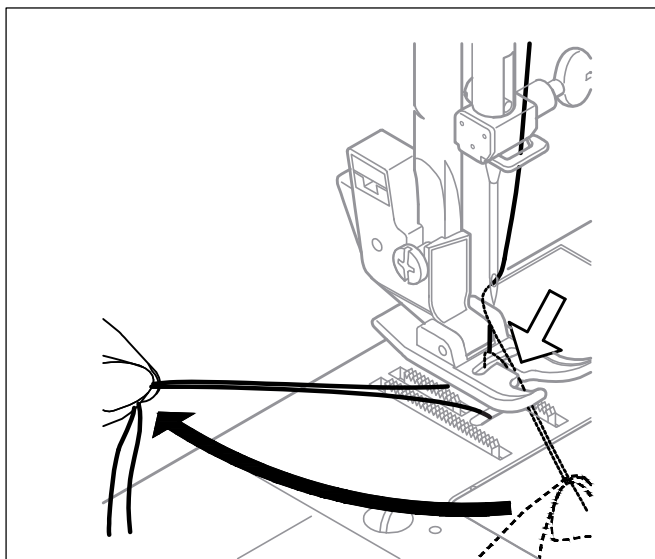
① Raise presser foot and hold the needle thread lightly with your left hand.



② Turn the balance wheel slowly towards you with your right hand until the needle goes down and continue turning balance wheel until the take-up lever is at its highest position. Lightly draw up the needle thread forming a loop of the bobbin thread.



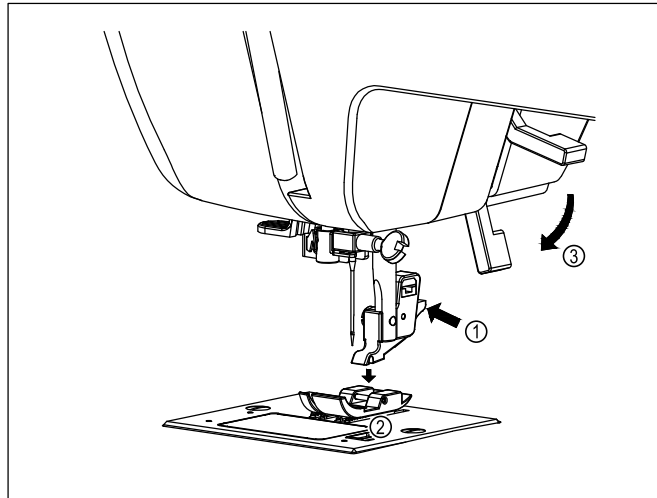
③ Pull 15 cm (6") of both threads back and under the presser foot.



CHANGING PRESSER FOOT

Be sure needle is in the up position. Raise presser foot lifter.

1. Push presser foot release button to remove the foot.
2. Place the desired foot on the needle plate aligning the presser foot pin with the foot holder.
3. Lower the presser foot lifter so that the foot holder snaps on the foot.

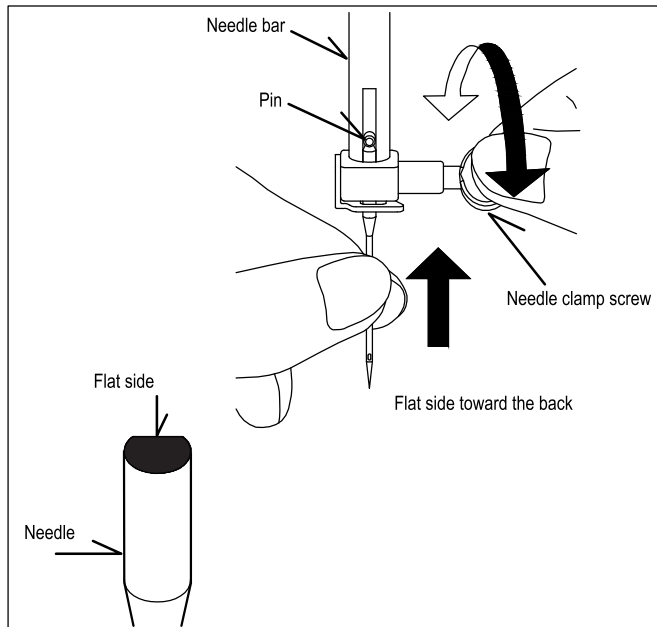


Always disconnect the machine from power supply by removing the plug from the wall-outlet.

CHANGING THE NEEDLE

1. Raise the needle bar to its highest position by turning the hand wheel counter clockwise.
2. Loosen the needle clamp screw by turning it counter clockwise.
3. Remove the needle by pulling it downward.
4. Insert the new needle into needle clamp with the flat side toward the back.
5. Push the needle up as far as it can go.
6. Tighten the needle clamp screw by turning it clockwise.

Helpful Hint: placing a scrap of fabric under the presser foot and lowering the presser foot makes it easier to change the needle and will preclude dropping the needle into the needle plate slot.



NEEDLE, THREAD AND FABRIC CHART

Your fabric will determine the choice of a needle and thread. The following table is a practical guide to needle and thread selection. Always refer to it before commencing a new project. Be sure to use the same size and type of thread in the bobbin as in the top thread supply.

	Fabrics	Threads	Needle Size
Light Weight	Crepe chine	Fine silk	9
	Voile lawn	Fine cotton	or
Medium Weight	Organdy	Fine synthetic	11
	Georgette	Fine cotton covered	
	Tricot	Polyester	
	Linen	50 silk	11
	Cotton	50 to 60 cotton	or
Heavy Weight	Pique	50 to 60 synthetic	14
	Serge	Cotton covered	
	Double knits	Polyester	
	Percale		
	Denim	50 silk	14
	Tweed	40 to 50 cotton	or
	Gabardine	40 to 50 synthetic	16
	Coating	Cotton covered	
	Drapery and Upholstery fabrics	Polyester	
	Denim		Jeans Needle (16)

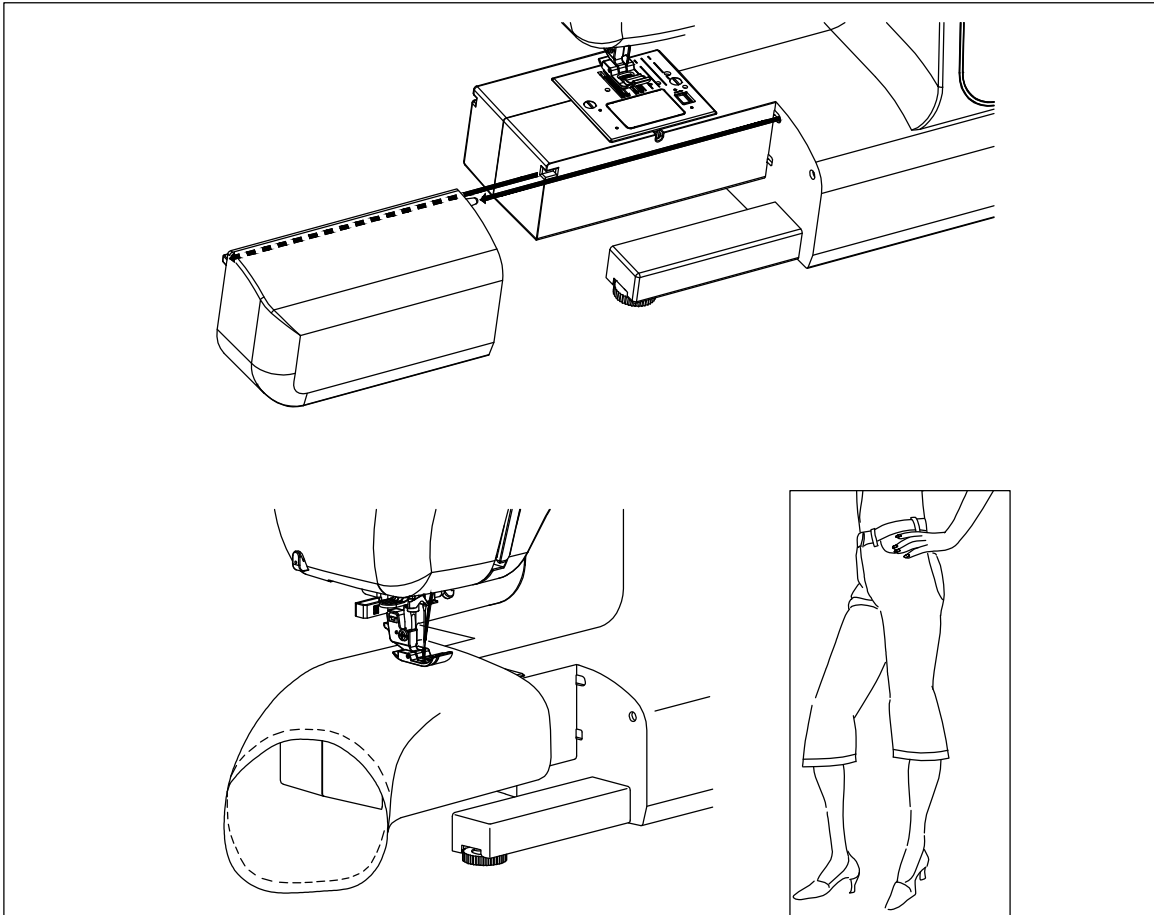
CONVERTING TO FREE-ARM SEWING

Your machine can be used either as a flat-bed or as a free-arm model.

With the extension table in position, it provides a large working surface as a standard flat-bed model

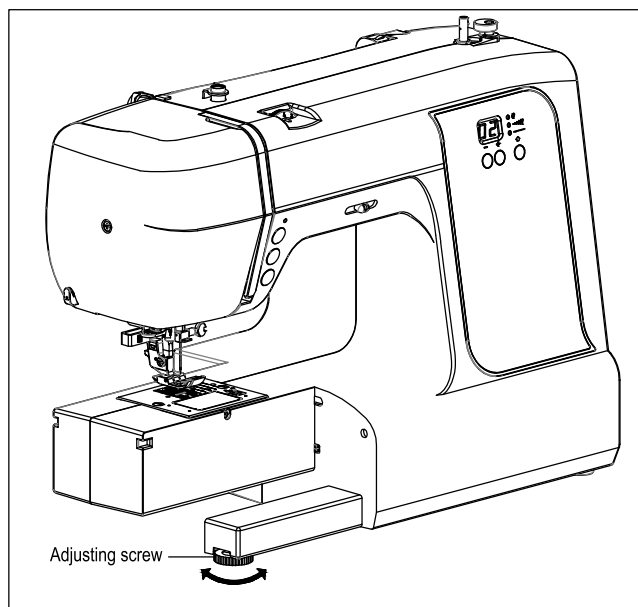
TO remove the extension table, hold it firmly with your left hand and pull it off to the left as shown. To replace, slide the extension table back into place until it clicks.

With the extension table removed the machine converts into a slim free-arm model for sewing children's clothes, cuffs, trouser legs, and other hard-to-reach places.



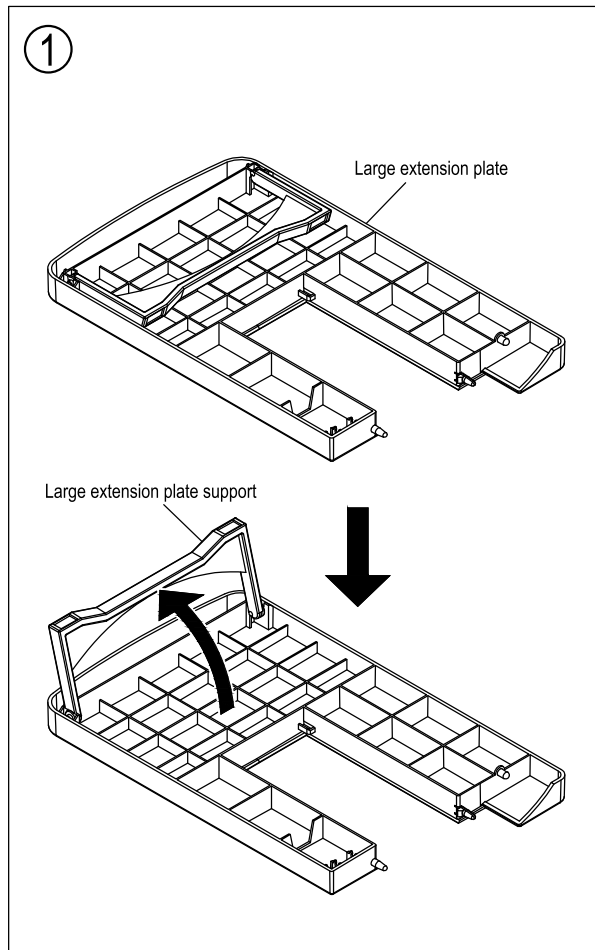
ADJUSTING THE BALANCE OF BOTTOM PLATE

When the sewing machine is placed on an uneven surface, turn the adjusting screw to adjust the height until the sewing machine is stable.



USING LARGE EXTENSION TABLE

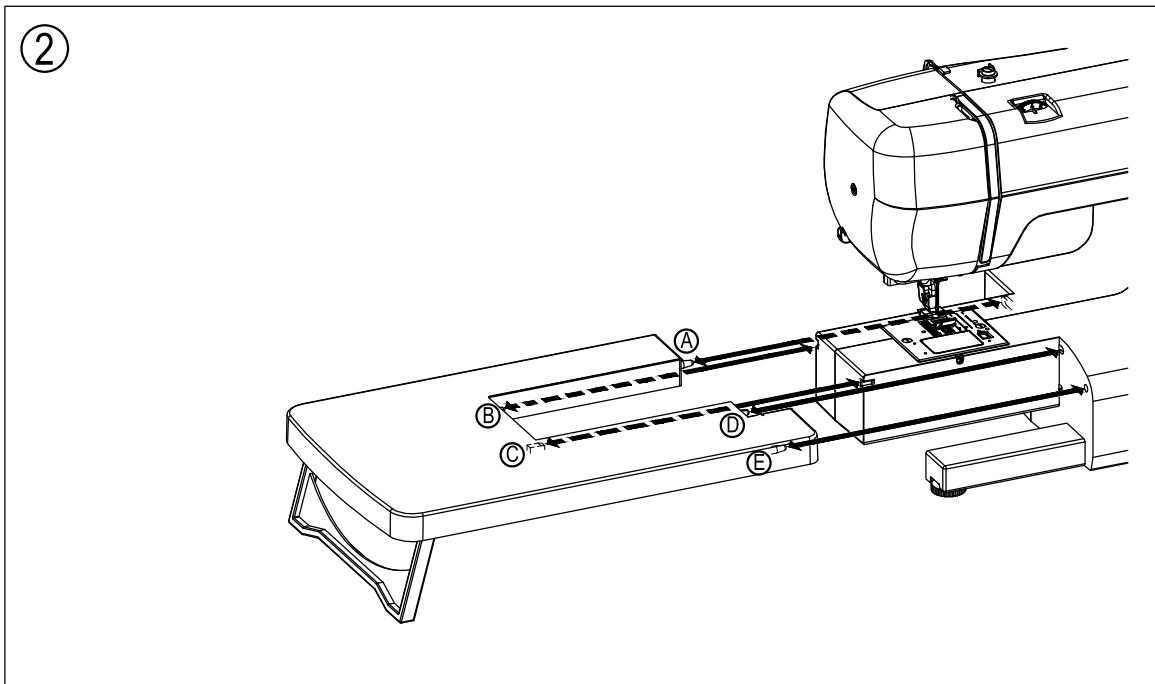
- ① Unfold the supporters of large extension table as per direction indicated by arrow.



- ② Place the large extension table along the machine body as illustrated.

Pull out the large extension table to left hand side of machine, machine will be reverting to free arm sewing mode.

The large extension table provide a larger working area than a standard extension table.



ADJUSTING TOP THREAD TENSION

90% of your sewing will be accomplished with word "4" exposed on the tension control dial on top of the machine.

Helpful Hint: A slight adjustment to a higher number or a lower number may improve sewing appearance.

STRAIGHT STITCHING

The correct appearance of your stitching is largely determined by the balanced tension of both top and bobbin thread. The tension is well balanced when these two threads 'lock' in the middle of layers of the fabric you are sewing.

If, when you start to sew, you find that the stitching is irregular, you will need to adjust the tension control. Do this, however, only after you have determined that the machine is correctly threaded (see page 18).

Make all adjustments with presser foot 'down'.

A balanced tension (identical stitches both top and bottom) is usually only desirable for straight stitch sewing.

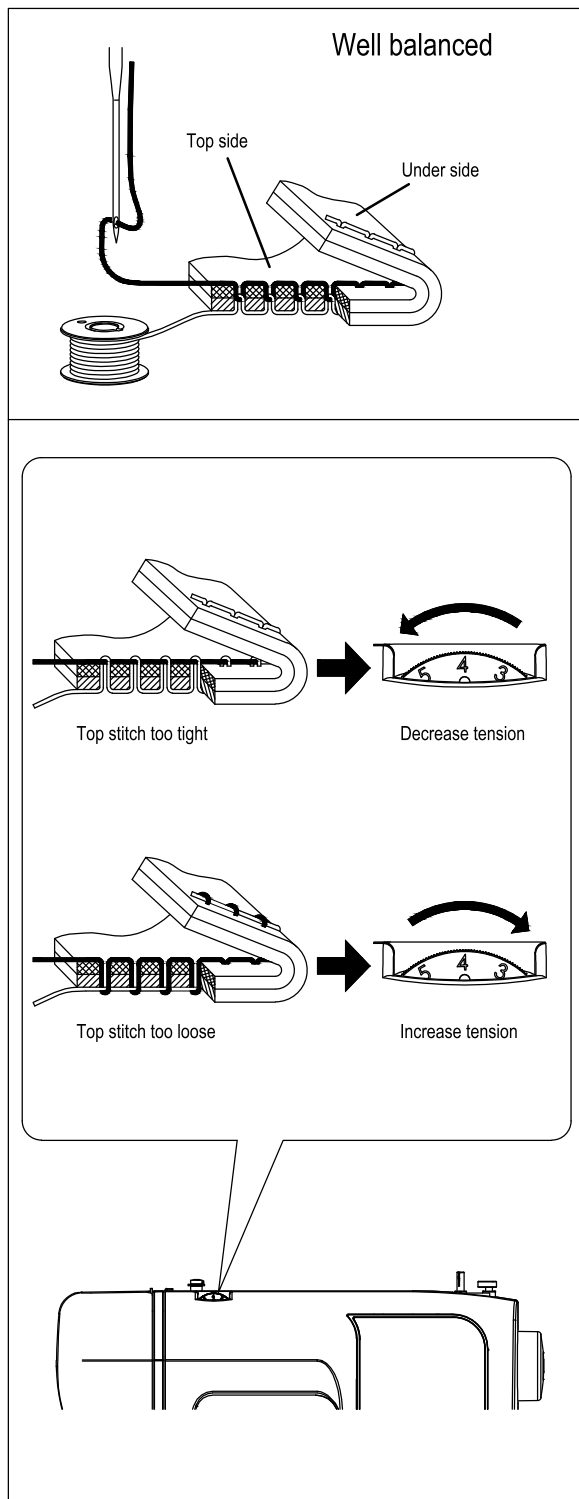
ZIGZAG AND DECORATIVE SEWING

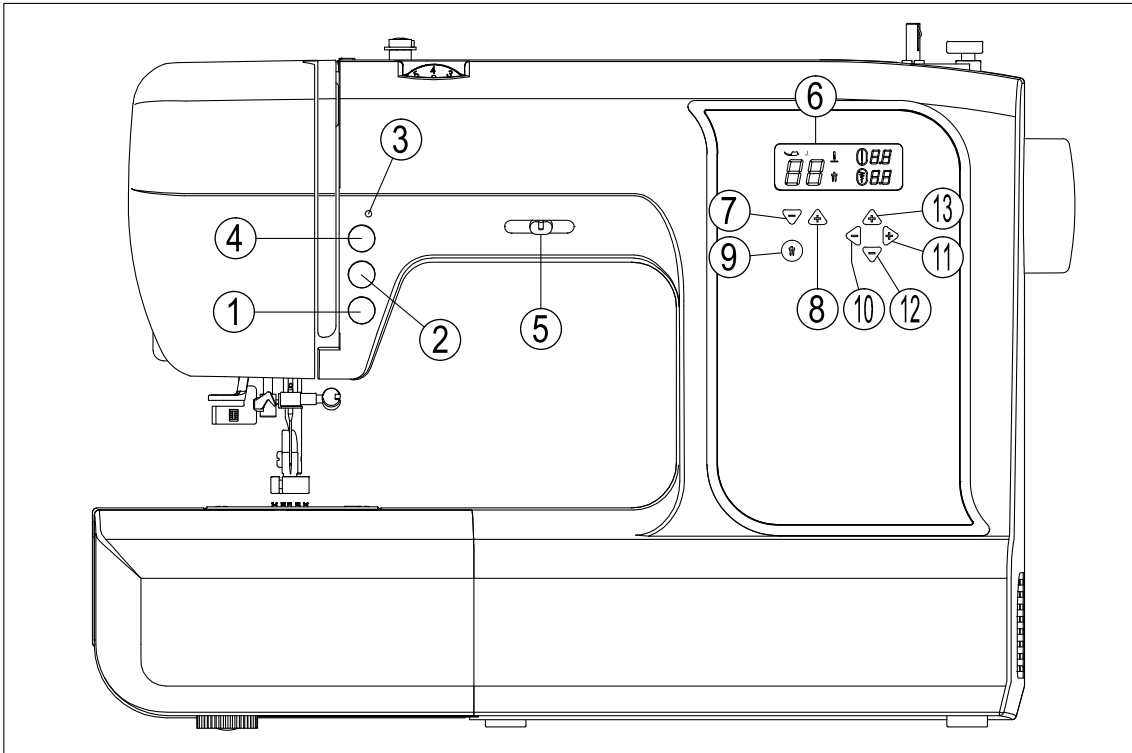
For zigzag sewing and decorative stitch function, thread tension should be less than for straight stitch sewing.

You will always obtain a nicer stitch and less puckering when the upper thread appears slightly on the bottom side of your fabric.

BOBBIN TENSION

The bobbin tension has been correctly set at the factory, so you do not need to adjust it.





CONTROL BUTTONS FUNCTIONS

① Start/stop button (If your machine has this function button)

Push this button lightly and machine will start to run. Push this button lightly again and the machine will stop to run.
*When foot controller (pedal) is connected to the machine, the function of this button will be invalid.

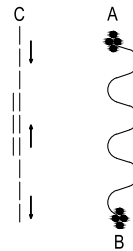
② Reverse stitch/Tacking stitch button (2 functions)

A. When machine has stopped, push this button continually and then machine will reverse slowly and the sewing will stop while the button is released. (This function can be applied to stitches #00, #01 and #02)

B. When machine has stopped, push this button continually and then the machine will stitch 4 stitches slowly at same point (that is tacking stitch function) and then machine will automatically stop. (This function can be applied to all stitches except stitches #00, #01 and #02)

C. When machine is running, push this button continually and then machine will reverse slowly and will stitch forward again while the button is released (This function can be applied to stitches #00, #01 and #02)

D. When machine is running, push this button continually and then the machine will stitch 4 stitches slowly at same point (that is tacking stitch function) and then machine will automatically stop. (This function can be applied to all stitches except stitches #00, #01 and #02)




③ Needle up needle down button indicator

When needle is in the down position, the indicator will light up. When in up position, the indicator will turn off.

④ Needle up needle down button

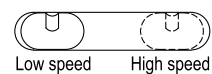
Machine's default setting: When the machine is stopped, the needle always stops at the highest point.
When this button is selected, the switch is illuminated and the needle will stop in the 'down' position.

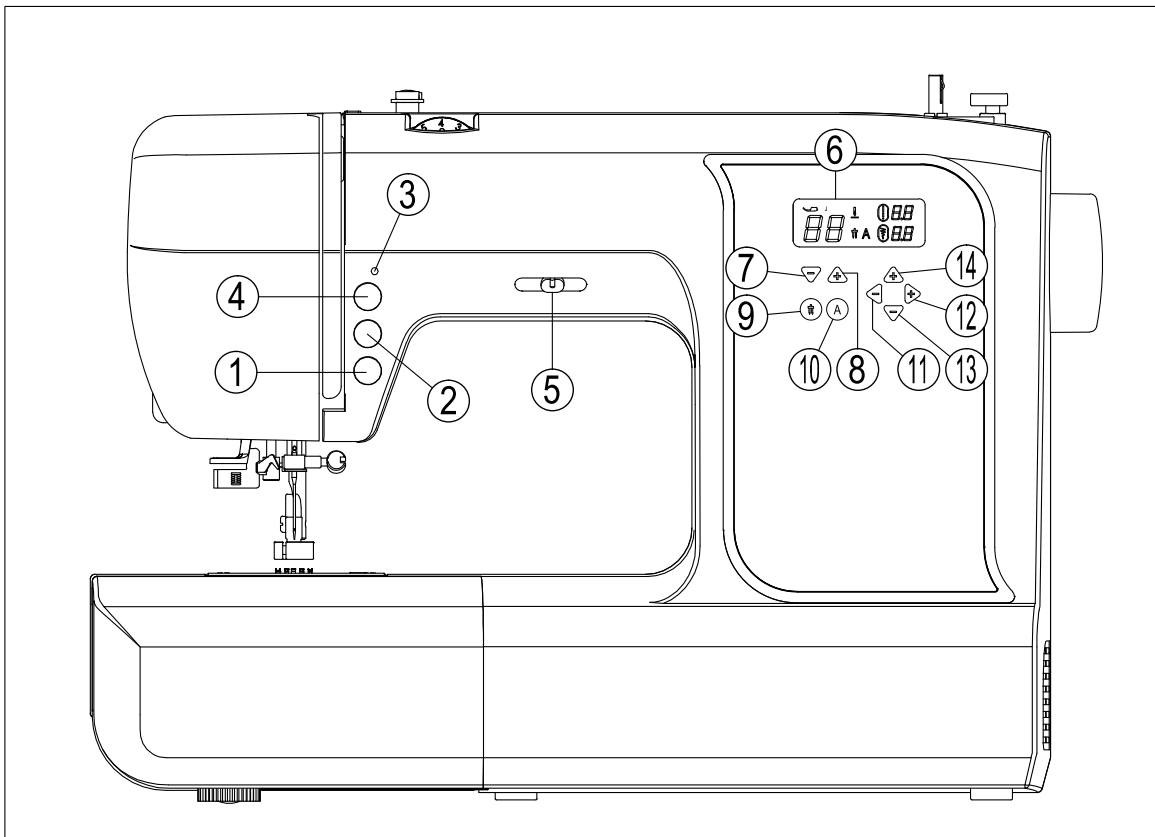
⑤ Speed adjust button (if your machine has this button equipped)

 when foot controller is connected to the machine, the sewing speed is controlled by this speed adjust button.

⑥ LCD Display

The LCD display will show your desired stitch setting, stitch width and stitch length
The display will indicate which foot is required to sew based on your stitch pattern input. See page 4.

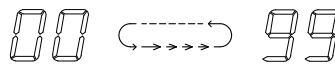




CONTROL BUTTONS FUNCTIONS

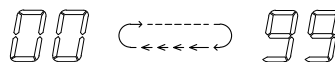
⑦ Pattern Number down

Push to select stitch Pattern Number in descending numerical order.
Press and hold to descend Pattern Numbers in multiples of 10.



⑧ Pattern Number up

Push to select stitch Pattern Number in ascending numerical order.
Press and hold to ascend Pattern Numbers in multiples of 10.



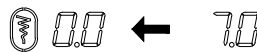
⑨ Twin needle switching function button

In normal condition, machine is set on single needle sewing function.

⑩ Character stitches button

⑪ Decrease Stitch width

Push this button, the digital on the LCD display will be decreased. keep to push this button continually and then the digital will be decreased continually.



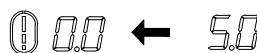
⑫ Increase Stitch width

Push this button, the digital on the LCD display will be increased. keep to push this button continually and then the digital will be increased continually.



⑬ Decrease Stitch length

Push this button, the digital on the LCD display will be decreased. keep to push this button continually and then the digital will be decreased continually.



⑭ Increase Stitch length

Push this button, the digital on the LCD display will be increased. keep to push this button continually and then the digital will be increased continually.



«ВАЖНЫЕ МЕРЫ ПРЕДОСТОРОЖНОСТИ»

При использовании швейной машины следует всегда соблюдать основные правила техники безопасности, включая следующие:

Прочтите все инструкции перед началом использования данной швейной машины.

ОПАСНОСТЬ – Для снижения риска электрического удара:

1. Швейную машину никогда нельзя оставлять без надлежащего присмотра во включенном состоянии.
2. Всегда отключайте швейную машину от сети электропитания сразу после использования перед началом чистки.

ПРЕДУПРЕЖДЕНИЕ – Для снижения риска получения ожогов, возникновения пожара, получения электрического удара или травмы пользователя:

1. Внимательно прочтите настоящие инструкции перед использованием швейной машины.
2. Храните настоящие инструкции в надлежащем месте рядом со швейной машиной и прилагайте их в случае передачи машины третьим лицам.
3. Используйте швейную машину только в сухом месте.
4. Швейная машина может использоваться детьми начиная с 14 лет и старше, а также людьми со сниженными физическими, сенсорными или умственными способностями, или с недостатком опыта и знаний, если за ними будет вестись надлежащий присмотр или они будут проинструктированы касательно правильного и безопасного применения швейной машины и возможных опасных ситуаций.
5. Детям запрещено играть со швейной машиной.
6. Чистку и техническое обслуживание не могут выполнять дети без надлежащего присмотра.
7. Всегда выключайте швейную машину при подготовке к работе (замена иглы, заправка нити в машину, замена прижимной лапки и т.д.).
9. Всегда выключайте швейную машину, если она остается без присмотра. Это позволит избежать травм при случайном включении машины.
10. Всегда выключайте швейную машину при проведении технического обслуживания (смазка, чистка).
11. Не используйте швейную машину в сыром или влажном помещении.
12. Не выключайте швейную машину, потянув за шнур электропитания. Для выключения устройства держите за вилку, а не за шнур.
13. Если светодиодная лампа неисправна или повреждена, её должен заменить квалифицированный специалист. Это позволит избежать возникновения опасности.
14. Никогда не кладите на педаль посторонние предметы.
15. Не используйте швейную машину при блокировке вентиляционных отверстий. Обеспечьте открытость вентиляционных отверстий машины и позаботьтесь, чтобы ножная педаль была свободна от волокна, пыли и т.д.
16. Швейную машину можно использовать только с ножной педалью типа 4С-333В.
17. Не утилизируйте электрические приборы вместе с обычным бытовым мусором, обращайтесь в пункты раздельного сбора.
18. Обратитесь в местные органы власти для получения информации касательно доступных пунктов раздельного сбора.
19. Если электрические приборы отправлены в места захоронения отходов или свалки, опасные вещества могут проникать в грунтовые воды и попадать в пищевую цепочку, нанося вред вашему здоровью и благополучию.
20. При замене старых швейных машин на новые, розничный продавец, по закону, должен забрать ваше старое устройства на утилизацию совершенно бесплатно.

СОХРАНИТЕ ИНСТРУКЦИЮ!

**ДАННАЯ ШВЕЙНАЯ МАШИНА ПРЕДНАЗНАЧЕНА ТОЛЬКО
ДЛЯ ДОМАШНЕГО ПРИМЕНЕНИЯ.**

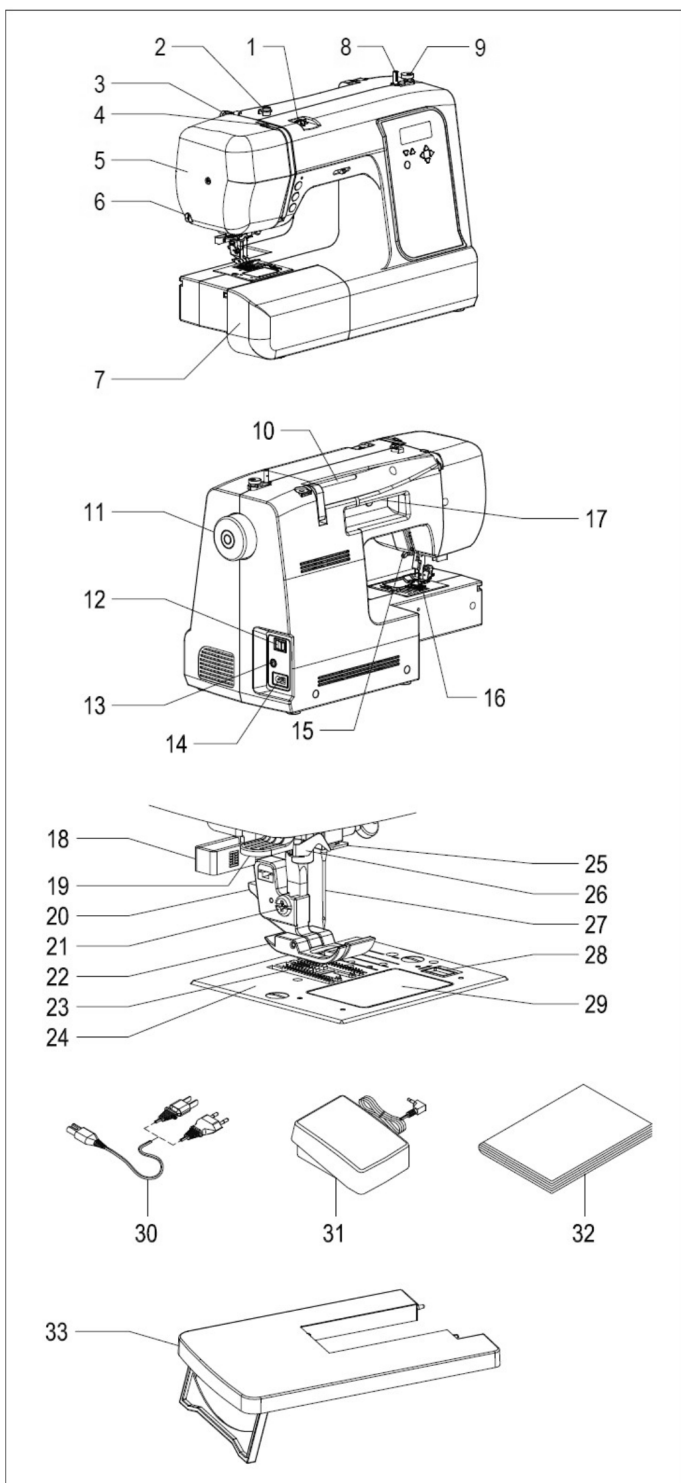
СОДЕРЖАНИЕ

1. ЗНАКОМСТВО С ВАШЕЙ ШВЕЙНОЙ МАШИНОЙ -----	41
Компоненты машины-----	41
Аксессуары -----	42
Настройка вашей машины-----	43
Катушечные стержни -----	44
Рычаг подъёма прижимной лапки -----	44
Штопальная пластина -----	44
Намотка шпульки-----	45
Заправка нижней нити-----	46
Заправка верхней нити -----	47
Использование автоматического нитевдевателя-----	48
Вытягивание нижней нити -----	49
Замена прижимной лапки -----	50
Замены иглы -----	50
Таблица соответствия игл, нитей и материалов-----	51
Настройка режима шитья со свободным рукавом-----	52
Регулировка равновесия нижней опорой -----	52
Использование большого дополнительного столика -----	53
Регулировка натяжения верхней нити-----	54
Функции кнопок управления -----	55
2. НАЧИНАЕМ ШИТЬ-----	58
Таблица справочных данных длины и ширины стежка -----	62
Прямая строчка -----	62
Создание параллельных строчек -----	62
Вшивание молнии и вшивание шнура -----	63
Создание строчки для выстёгивания, имитирующей ручную работу-----	63
Строчка зигзаг-----	64
Регулировка ширины и длины стежка-----	64
Стежок для вышивания гладью -----	64
Расположение стежков -----	64
Потайной стежок -----	65
Многостежковый зигзаг -----	66
Трикотажные и декоративные стежки-----	67
Прямой трикотажный стежок, трикотажный зигзаг, стежок типа соты, краеобмёточный стежок, стежок ёлочкой, стержневой стежок, декоративный стежок, ступенчатый стежок, наклонный стержневой стежок, стежок в виде греческого орнамента, двойной оверлочный стежок, стежок крест- накрест, стежок крестиком -----	67
Декоративные строчки -----	71
Идеи по декоративному шитью -----	71
Непрерывные узоры -----	72
Пришивание пуговиц -----	72
Вымётывание петель для пуговиц Внимание! -----	73
Использование лапки для вымётывания петель для пуговиц, выполняемая последовательность, петля с каркасной ниткой-----	73
Штопальная строчка-----	75
Шитьё букв-----	76
3. УХОД ЗА ВАШЕЙ МАШИНОЙ-----	77
Чистка зоны челнока и механизма подачи ткани под иглу швейной машины-----	77
4. ДОПОЛНИТЕЛЬНАЯ ИНФОРМАЦИЯ -----	78
Лапка для вышивания гладью, использование двойной иглы, заправка нитки в двойную иглу -----	78
Положение иглы при прямой строчке, коды ошибок на экране дисплея, сшивание толстых тканей, Намёточный стежок-----	80
Намёточный стежок -----	80
5. ПОИСК И УСТРАНЕНИЕ НЕИСПРАВНОСТЕЙ -----	81

1. ЗНАКОМСТВО С ВАШЕЙ ШВЕЙНОЙ МАШИНОЙ

КОМПОНЕНТЫ МАШИНЫ

1. Регулятор натяжения нити
2. Нитенаправитель наматывателя шпульки
3. Нитенаправитель
4. Рычаг нитеводителя
5. Лицевая панель
6. Нитеобрезчик
7. Съёмная платформа для хранения аксессуаров
8. Шпиндель наматывателя шпульки
9. Стопор наматывателя шпульки
10. Горизонтальный катушечный стержень
11. Маховое колесо
12. Выключатель питания/подсветки
13. Гнездо ножной педали
14. Гнездо для шнура электропитания
15. Винт иглодержателя
16. Рычаг подъёма прижимной лапки
17. Ручка
18. Рычаг для вымётывания петли
19. Рычаг нитевдевателя
20. Кнопка освобождения прижимной лапки
21. Винт прижимной лапки
22. Прижимная лапка
23. Нижний транспортёр ткани
24. Игльная пластина
25. Нитенаправитель
26. Нитевдеватель
27. Игла
28. Кнопка освобождения крышки шпульного отсека
29. Крышка шпульного отсека
30. Шнур электропитания
31. Ножная педаль (тип: 4С-333В)
32. Руководство пользователя
33. Большой дополнительный столик





АКСЕССУАРЫ

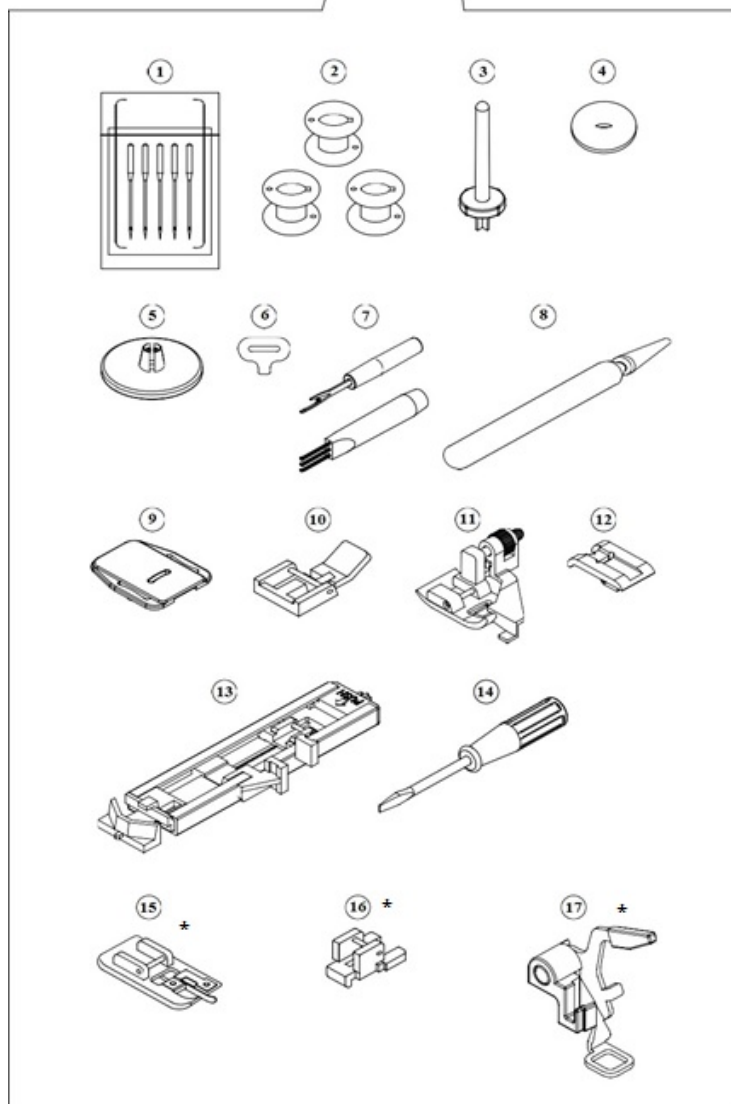
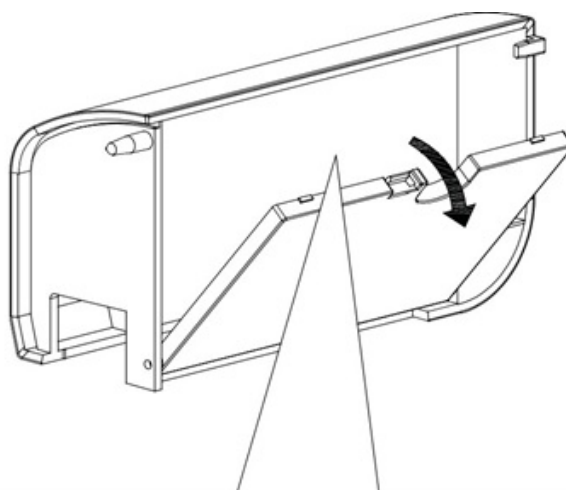
1. Иглы
2. Шпульки (всего 4 шт – 1 шт в машине)
3. Дополнительный катушечный стержень
4. Войлочные шайбы катушечного стержня
5. Колпачок катушечного стержня
6. Отвёртка для игольной пластины
7. Вспарыватель и щётка
8. Маслёнка (дополнительная опция)
9. Штопальная пластина
10. Лапка для вшивания молнии
11. Лапка для потайного стежка
12. Лапка для вышивания гладью
13. Лапка для выполнения петли
14. Отвёртка
15. Лапка оверлочная*
16. Лапка для пришивания пуговиц*
17. Лапка для штопки*

Лапка, которая установлена на вашей швейной машине, называется универсальная лапка. Она будет использоваться для большинства техник шитья.

Лапка для вышивания гладью (12) может использоваться для большинства типов декоративного шитья, в особенности

стежок типа соты , звезда  и т.д.

При покупке дополнительных шпулек убедитесь в том, что они имеют класс 15 J.



*Не входит в стандартную комплектацию и приобретается дополнительно.

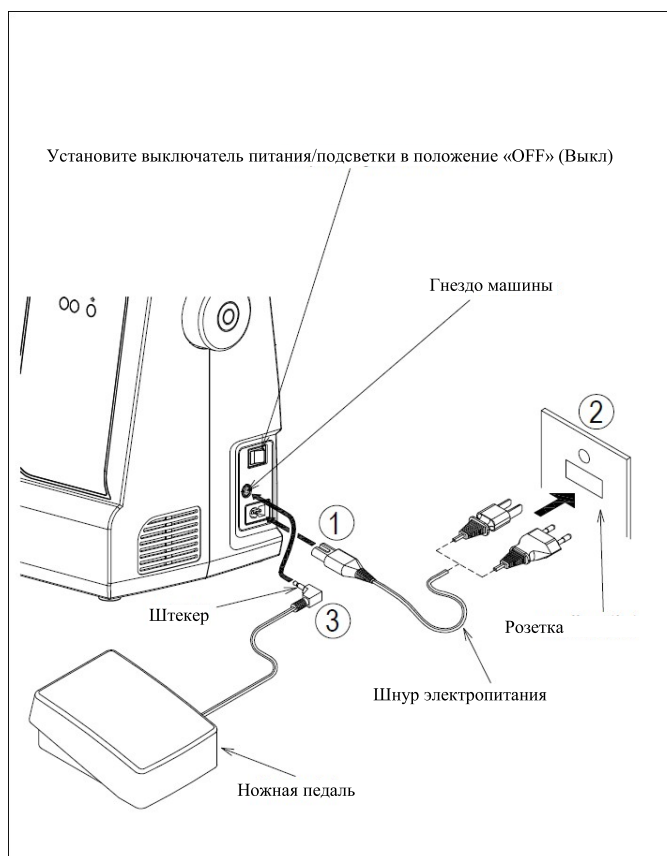
НАСТРОЙКА ВАШЕЙ МАШИНЫ

Перед использованием машины в первый раз убедитесь в том, что из зоны игольной пластины удалены все остатки смазки.

ШНУР ЭЛЕКТРОПИТАНИЯ/ПЕДАЛЬ НОЖНОГО УПРАВЛЕНИЯ

- (1) Подсоедините шнур электропитания и подключите, как показано на рисунке.
- (2) Вставьте штекер ножной педали в гнездо машины, как показано на рисунке.

ПРИМЕЧАНИЕ: При отсоединении ножной педали машина работать не будет. Если в модели Вашей машины присутствует кнопка Старт/Стоп, то ножная педаль может быть отсоединена. См. стр. 55.



Всегда отключайте машину от источника электропитания, вынув вилку из розетки.

ВЫКЛЮЧАТЕЛЬ ПИТАНИЯ/ПОДСВЕТКИ

Ваша машина не будет работать, пока не будет включен выключатель питания/подсветки. Один и тот же выключатель контролирует электропитание и подсветку.

При техническом обслуживании машины или замене иглы, и т.д. машину следует отключить от источника электропитания.



КАТУШЕЧНЫЕ СТЕРЖНИ

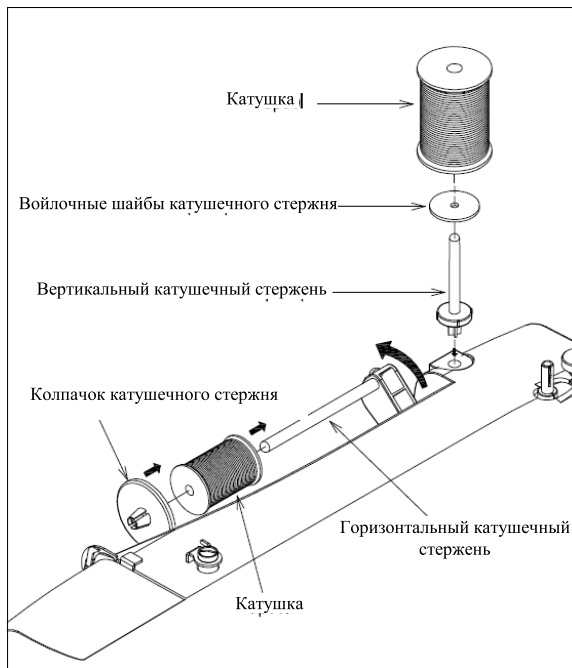
ГОРИЗОНТАЛЬНЫЙ КАТУШЕЧНЫЙ СТЕРЖЕНЬ для обычной катушки ниток

Поместите катушку для ниток на стержень и закрепите с помощью колпачка катушки, чтобы обеспечить плавную подачу нитки. Если катушка ниток имеет паз для удержания нити, он должен располагаться справа.

Выберите надлежащий колпачок для катушечного стержня в соответствии с диаметром катушки. Колпачок для катушечного стержня всегда должен быть больше, чем сама катушка.

ВЕРТИКАЛЬНЫЙ КАТУШЕЧНЫЙ СТЕРЖЕНЬ для большой катушки ниток

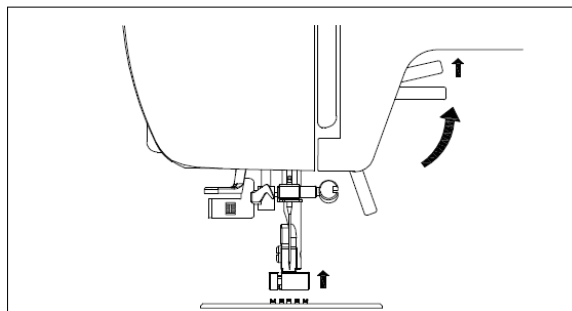
Вставьте катушечный стержень. Поместите на него войлочную шайбу. Поместите катушку ниток на катушечный стержень.



РЫЧАГ ПОДЪЁМА ПРИЖИМНОЙ ЛАПКИ

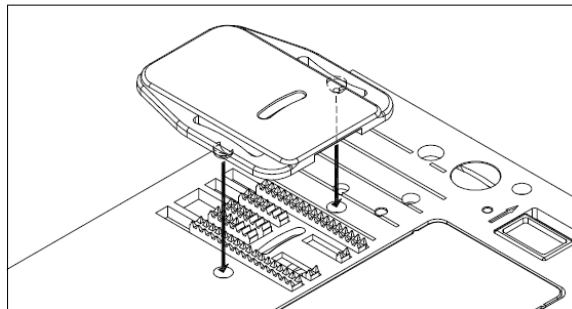
Прижимная лапка вашей машины имеет три положения.

1. Нижнее положение прижимной лапки предназначено для шитья.
2. Поднимите рычаг в среднее положение, чтобы вставить или вынуть ткань, и чтобы заменить прижимную лапку.
3. Поднимите рычаг в самое высокое положение, чтобы вставить или вынуть толстую ткань.



ШТОПАЛЬНАЯ ПЛАСТИНА

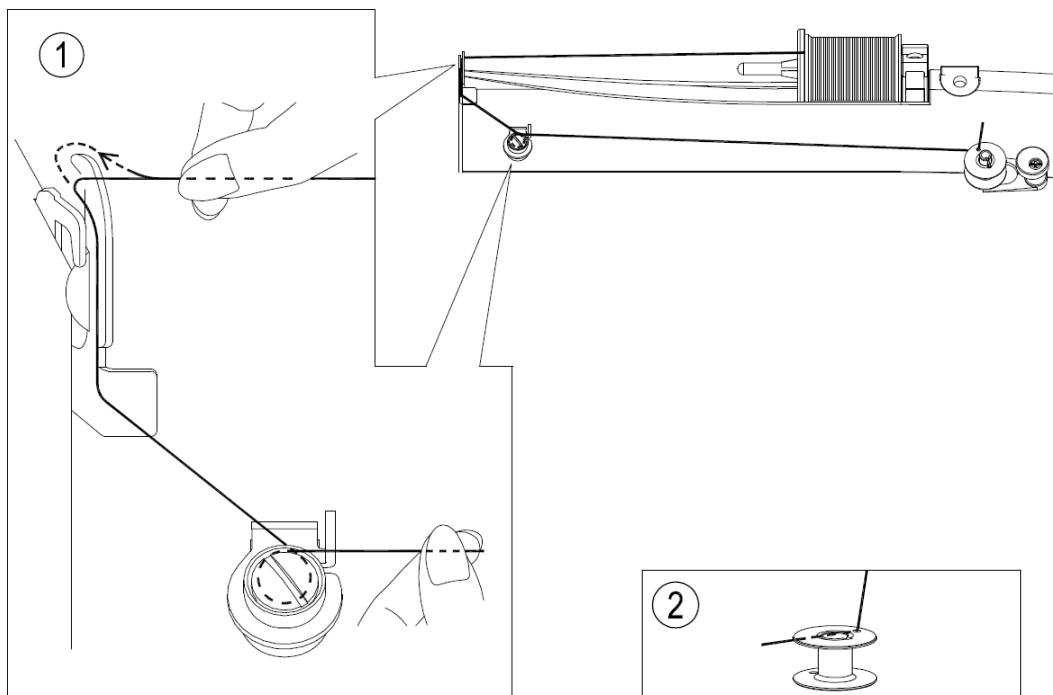
Используйте штопальную пластину, при пришивании пуговиц, свободно-ходовой стёжке и штопке. Поднимите иглу и прижимную лапку, затем поместите штопальную пластину на игольную пластину, двумя выступами назад, чтобы они попали в отверстия игольной пластины.



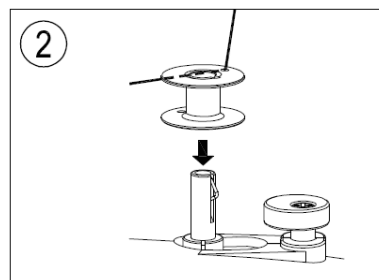
НАМОТКА ШПУЛЬКИ

Убедитесь, что используются шпульки класса 15 J.

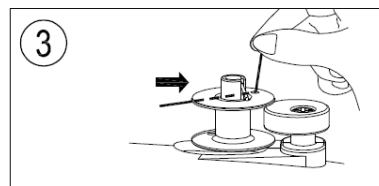
1. Поместите катушку с нитками на катушечный стержень и закрепите её с помощью колпачка катушечного стержня. Вытяните нить из катушки и протяните её через нитенаправители, как показано на рисунке ниже.



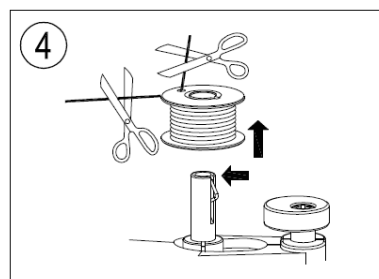
2. Проденьте конец нитки через отверстие в шпульке, как показано на рисунке.



3. Передвиньте шпindelь наматывателя шпульки в крайнее левое положение, если он там ещё не находится. Поместите шпульку на шпindelь. Передвиньте шпindelь наматывателя шпульки вправо до щелчка. Держите за конец нитки.



4. Запустите машину. После того, как шпулька начнёт наматывать нить, остановитесь, чтобы отрезать свободный конец нити. Нажмите на педаль снова, чтобы продолжить намотку нити на шпульку. Шпулька автоматически прекратит вращаться при полном заполнении. Толкните шпindelь влево, чтобы снять шпульку и отрезать нитку.



ЗАПРАВКА НИЖНЕЙ НИТИ

1. Поднимите иглу в самое верхнее положение, повернув маховое колесо против часовой стрелки.

2. Снимите крышку шпульного отсека, нажав на кнопку освобождения вправо. Крышка шпульки выскочит, что позволит снять крышку.

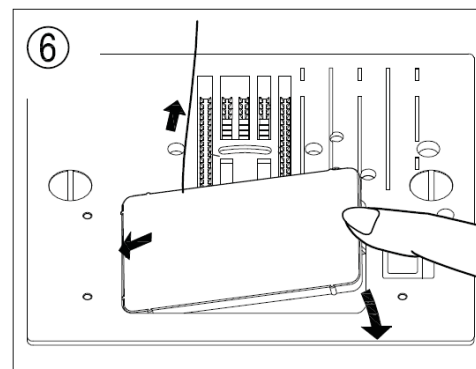
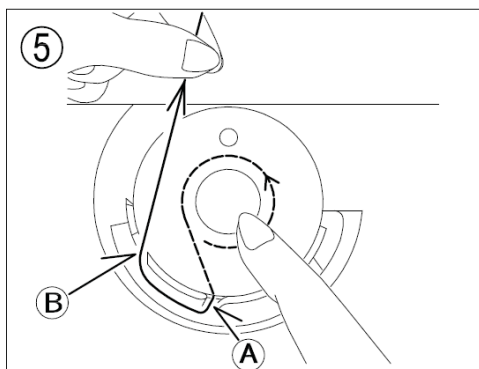
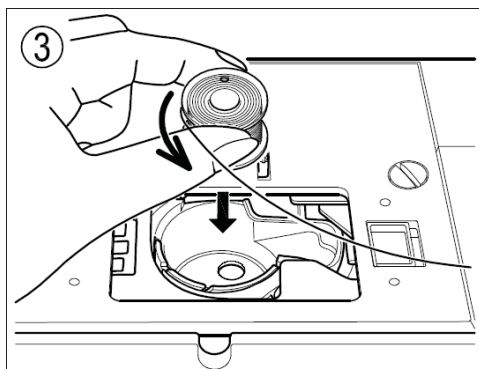
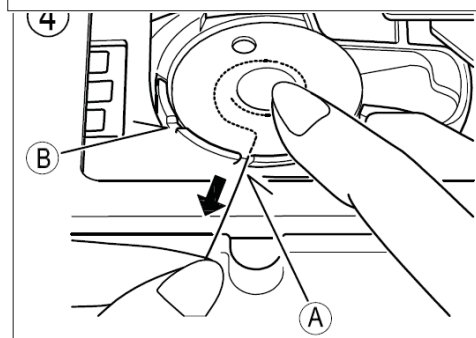
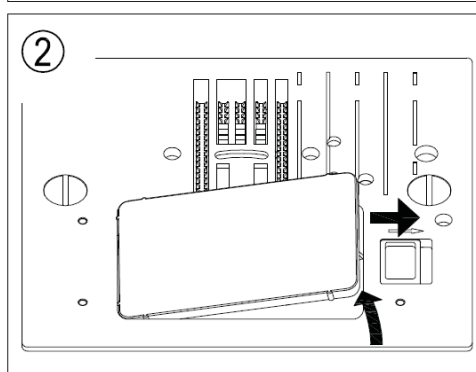
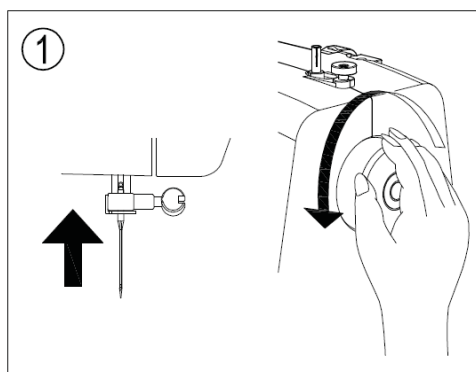
3. Вставьте шпульку и убедитесь, что она вращается против часовой стрелки, когда потяните за нить.

ПРИМЕЧАНИЕ: Это очень важный шаг. Шпулька должна вращаться против часовой стрелки, когда потяните за нитку.

4. Пропустите нитку через прорезь (A) и затем влево.

5. Аккуратно поместите палец на верхнюю часть шпульки, потяните за нитку, пока она не достигнет прорези (B).

6. Закройте шпульный отсек крышкой.



ЗАПРАВКА ВЕРХНЕЙ НИТИ

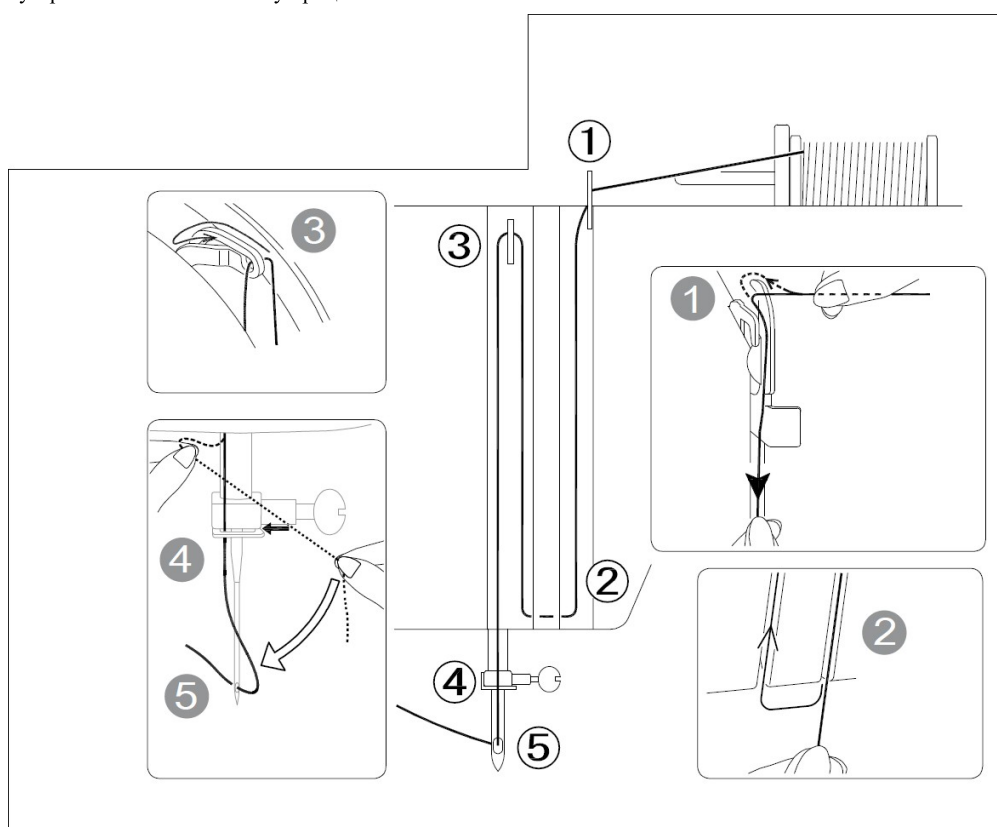
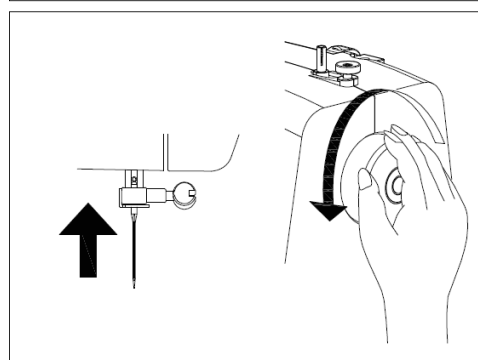
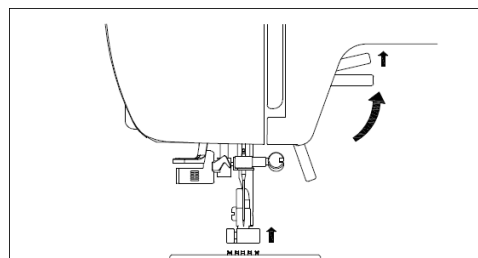
А. Поднимите рычаг подъема прижимной лапки. Перед заправкой верхней нити всегда убедитесь, что рычаг прижимной лапки поднят вверх (если рычаг прижимной лапки не поднят, добиться правильного натяжения нити невозможно).

В. Поворачивайте маховое колесо против часовой стрелки до тех пор, пока игла не достигнет самого верхнего положения.

С. Заправляйте нить в машину левой рукой и в то же время крепко придерживайте нить возле катушки правой рукой, затем протяните нить, как указано на схеме.

1. Втягивайте нить в нитенаправитель, используя обе руки.
2. Удерживая нить возле катушки, пропустите нить вниз в зону натяжения и далее вокруг держателя натяжительной пружины.
3. Сильно потяните нить вверх и проведите через рычаг нитоводителя справа налево.
4. Потяните нить вниз и вставьте её в нитенаправитель игольного стержня.
5. Вденьте нить в ушко иглы спереди назад.

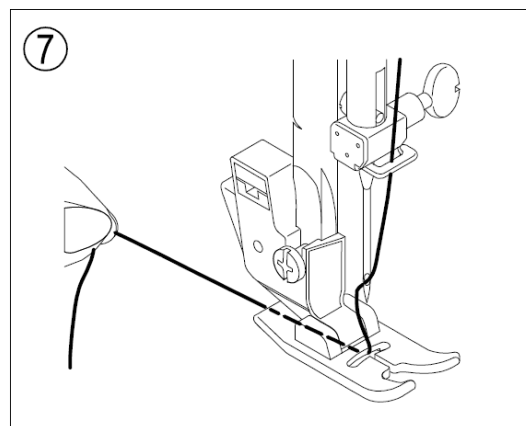
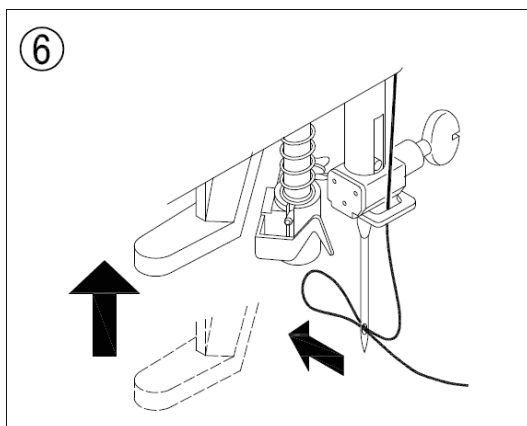
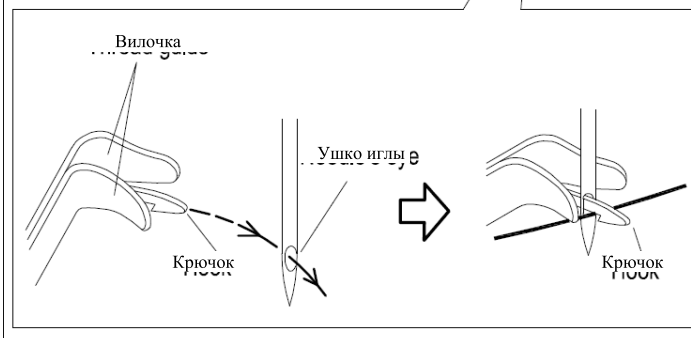
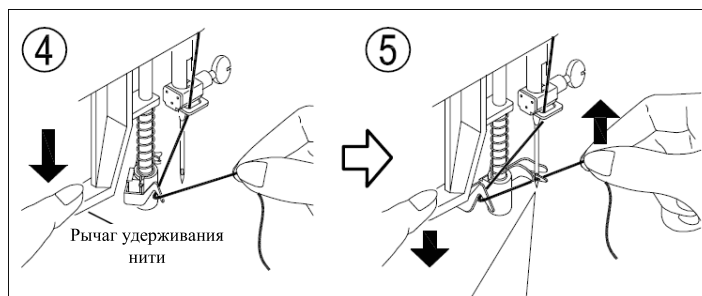
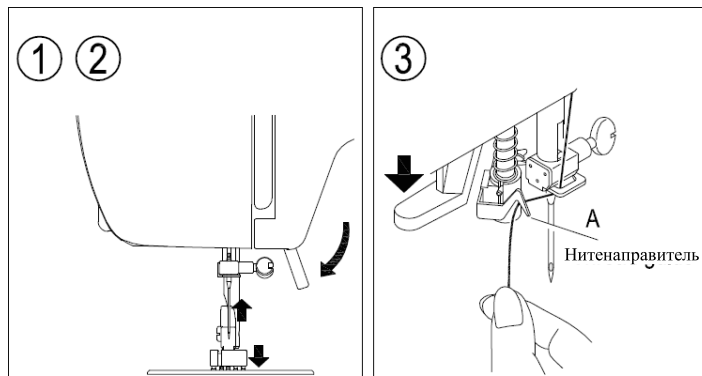
ПРИМЕЧАНИЕ: Для облегчения вдевания нити следует обрезать кончик нити с помощью ножниц. Включите питание после заправки нити в машину и шпульку. Теперь устройство готово к началу процесса шитья.



ИСПОЛЬЗОВАНИЕ АВТОМАТИЧЕСКОГО НИТЕВДЕВАТЕЛЯ

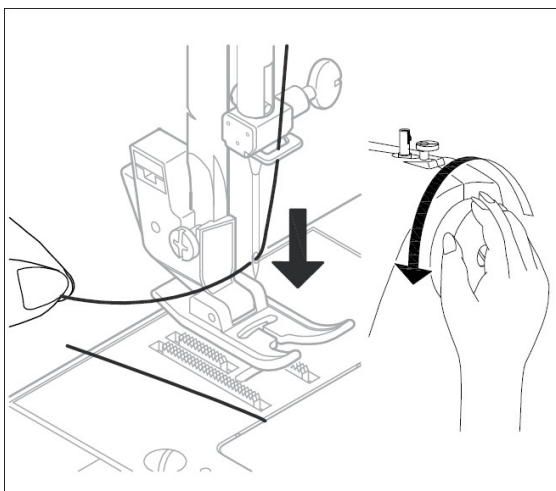
1. Опустите прижимную лапку.
2. Поднимите иглу.
- 3 Медленно опустите рычаг нитевдевателя. Пропустите нить вокруг крючка, как показано на рис. 3
4. Переместите рычаг в самое нижнее положение. Крючок иглы проходит через ушко иглы.
5. Переместите нить от крючка А в правую сторону под вилочкой.
6. Свободно удерживая нить, отпустите рычаг. Петля нити пройдет через ушко иглы.
7. Протяните петлю нити через ушко иглы от себя. Пропустите 10 см нити под прижимной лапкой.

ПРИМЕЧАНИЕ: Нитевдеватель используется с иглами размером 11, 14 и 16.

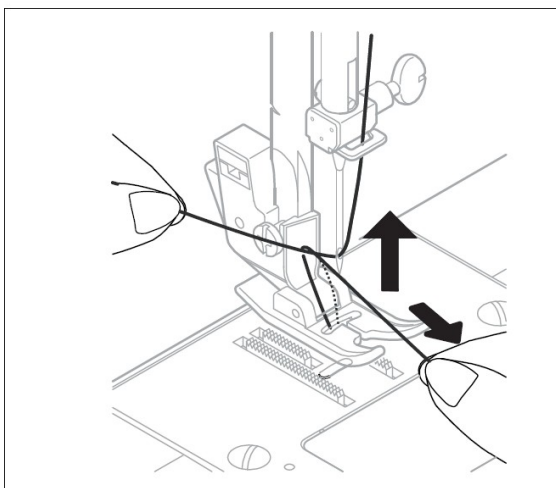


ВЫТЯГИВАНИЕ НИЖНЕЙ НИТИ

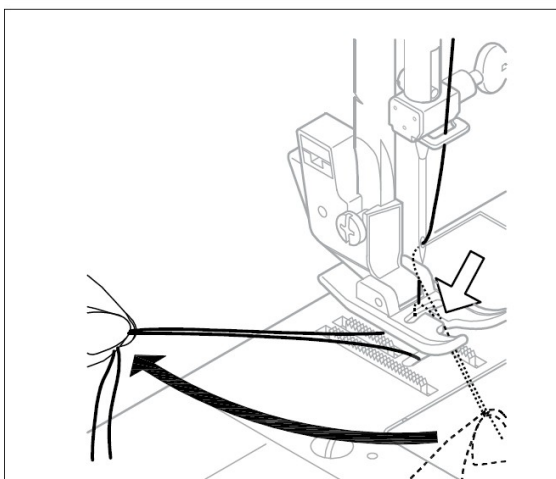
1. Поднимите прижимную лапку и слегка удерживайте игольную нитку левой рукой.



2. Медленно поворачивайте на себя маховое колесо правой рукой, пока игла не опустится вниз, и продолжайте поворачивать маховое колесо, пока рычаг нитеводителя не поднимется в самое высокое положение. Слегка вытяните игольную нитку, чтобы сформировать петлю из нижней нити.



3. Вытяните по 15 см обеих нитей и отведите их назад под прижимную лапку.



ЗАМЕНА ПРИЖИМНОЙ ЛАПКИ

Убедитесь, что игла находится в верхнем положении. Поднимите рычаг подъёма прижимной лапки.

1. Нажмите на кнопку освобождения прижимной лапки, чтобы снять лапку.
2. Положите требуемую лапку на игольную пластину, поместив стержень прижимной лапки под держателем лапки.
3. Опустите рычаг подъёма прижимной лапки так, чтобы держатель лапки защелкнулся на лапке.



Всегда отключайте машину от источника электропитания, вынув вилку из розетки

ЗАМЕНЫ ИГЛЫ

1. Поднимите игольный стержень в самое высокое положение, повернув маховое колесо против часовой стрелки.
2. Ослабьте винт иглодержателя, повернув его против часовой стрелки.
3. Снимите иглу, потянув её вниз.
4. Вставьте новую иглу в иглодержатель, плоской стороной от себя.
5. Толкните иглу вверх, насколько это возможно.
6. Затяните винт иглодержателя, повернув его по часовой стрелке.

Полезный совет: Размещение лоскута ткани под прижимную лапку и опускание прижимной лапки облегчает замену иглы.

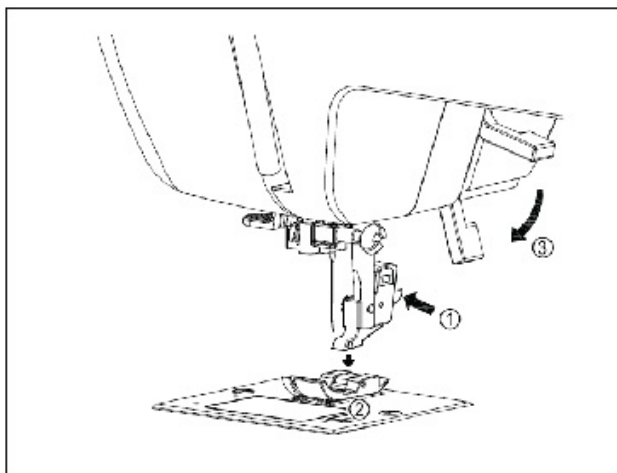


ТАБЛИЦА СООТВЕТСТВИЯ ИГЛ, НИТЕЙ И МАТЕРИАЛОВ

В зависимости от типа ткани следует выбирать иглу и нить. Следующая таблица является практическим руководством по выбору надлежащей иглы и нити. Всегда обращайтесь к данной таблице, приступая к шитью нового изделия. Убедись в использовании нити аналогичного размера и типа в шпульке, заправленной верхней нити.

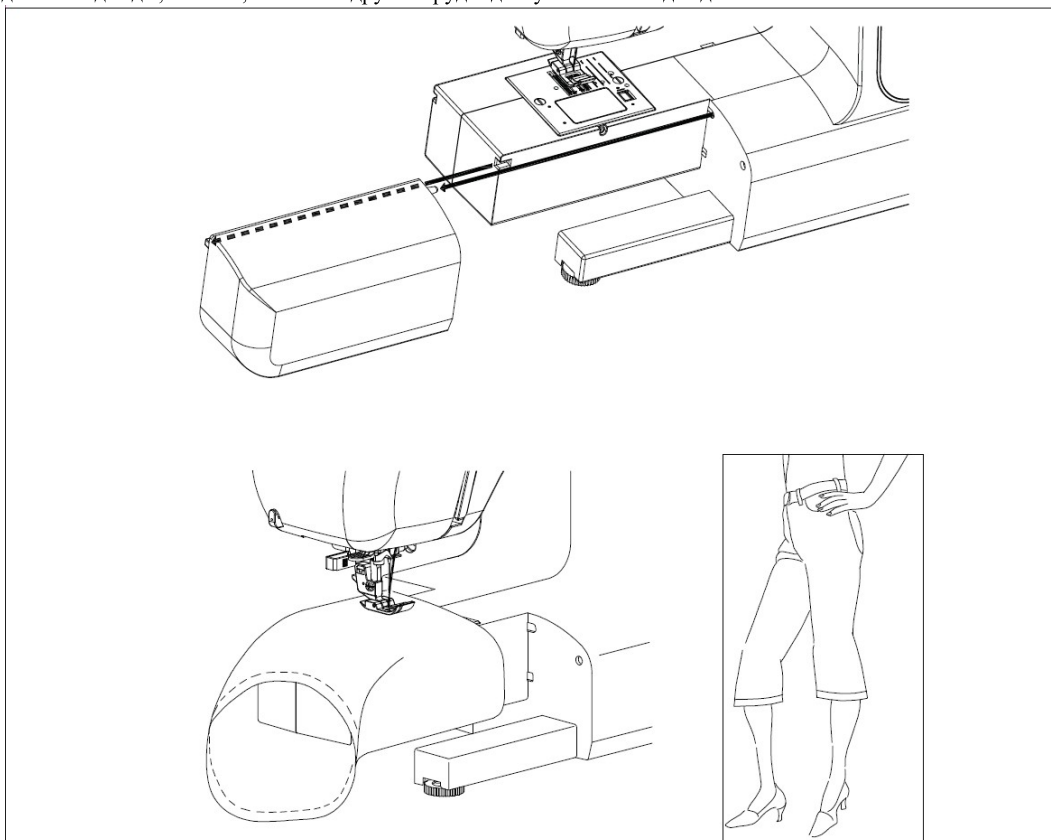
	Ткань	Нити	Размер иглы
Лёгкая ткань	Крепдешин	Тонкий шёлк	9
	Вуаль	Тонкий хлопок	или
	Органза	Тонкая синтетика	
	Жоржет	Тонкое хлопковое покрытие	11
	Трико	Полиэстер	
Средняя ткань	Лён	Шёлк 50	11
	Хлопок	Хлопок 50-60	или
	Пике	Синтетика 50-60	
	Сарж	Тонкое хлопковое покрытие	14
	Двухсторонний трикотаж Перкаль	Полиэстер	
Тяжёлая ткань	Джинсовая ткань	Шёлк 50	14
	Твид	Хлопок 40-50	или
	Габардин	Синтетика 40-50	
	Пальтовая ткань	Тонкое хлопковое покрытие	16
	Драпировочная и обивочная ткань	Полиэстер	
	Джинсовая ткань		Иголка для джинсовой ткани (16)

НАСТРОЙКА РЕЖИМА ШИТЬЯ СО СВОБОДНЫМ РУКАВОМ

Вашу швейную машину можно использовать в режиме flat-bed (плоская платформа), либо в режиме шитья со свободным рукавом.

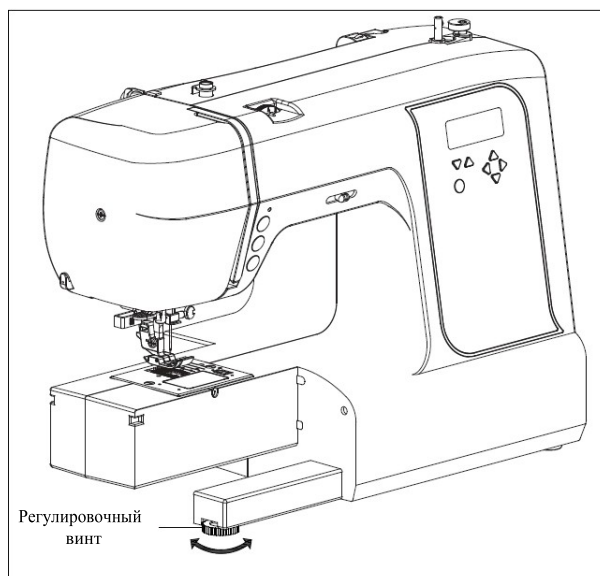
Установка съёмной платформы обеспечивает увеличения рабочей поверхности аналогично стандартной модели с плоской платформой.

Для снятия съёмной платформы, крепко удерживайте её левой рукой и потяните его влево, как показано на рисунке ниже. Для установки съёмной платформы назад, вставьте её в пазы до щелчка. Снятие съёмной платформы позволяет использовать машину в режиме шитья со свободным рукавом, а именно, для шитья детской одежды, манжет, штанин и других труднодоступных мест одежды.



РЕГУЛИРОВКА РАВНОВЕСИЯ НИЖНЕЙ ОПОРОЙ

При установке швейной машины на неровную поверхность, поверните регулировочный винт, чтобы отрегулировать высоту до устойчивого положения машины.



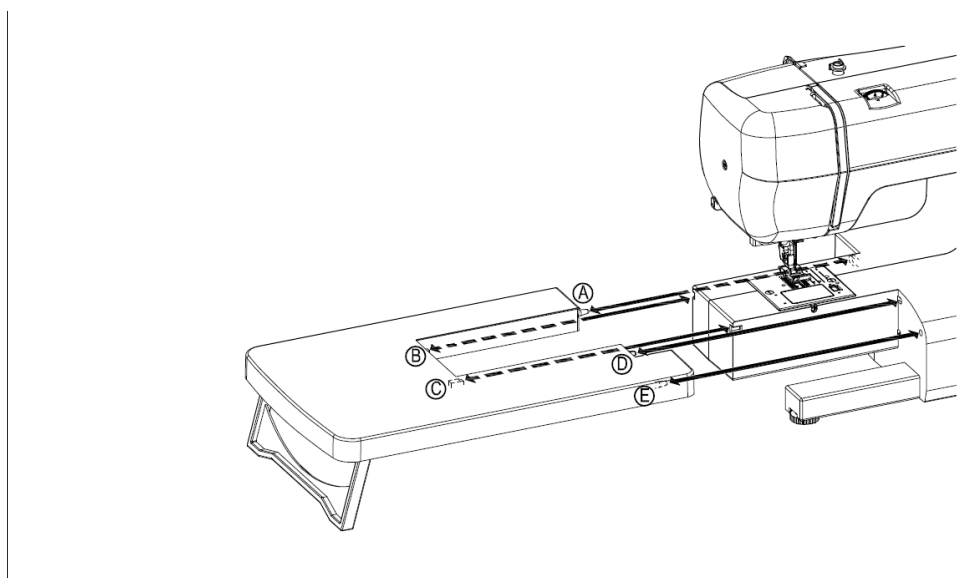
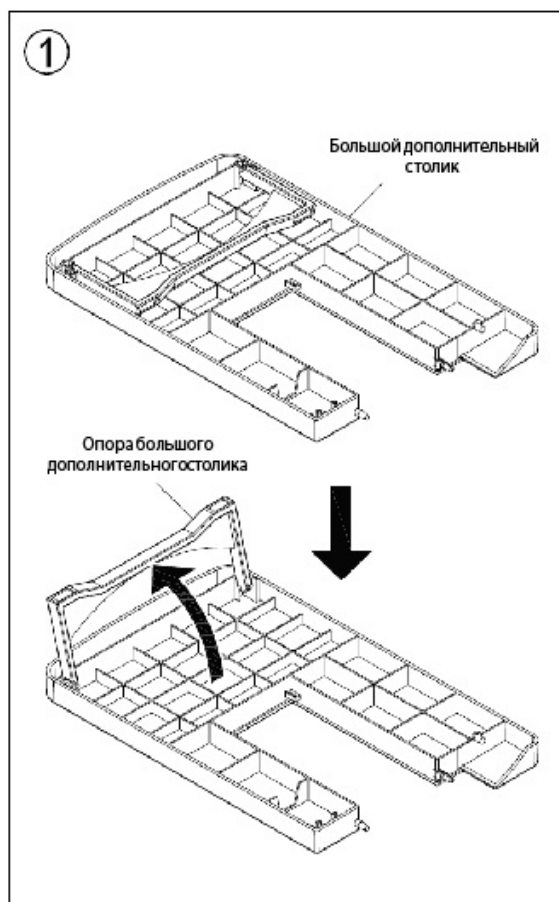
ИСПОЛЬЗОВАНИЕ БОЛЬШОГО ДОПОЛНИТЕЛЬНОГО СТОЛИКА

1. Поднимите опоры большого дополнительного столика в направлении, которое указано стрелкой.

2. Расположите большой дополнительный столик вдоль корпуса машины, как показано на рисунке.

Вытяните большой дополнительный столик левой рукой из машины. Машина перейдёт в режим шитья со свободным рукавом.

Большой дополнительный столик увеличивает рабочую поверхность.



РЕГУЛИРОВКА НАТЯЖЕНИЯ ВЕРХНЕЙ НИТИ

90% швейных операций будут выполняться при установке регулятора контроля натяжения нити машины в положение «4».

Полезный совет: Небольшая регулировка, то есть установка на одну цифру больше или меньше может улучшить качество шитья.

ПРЯМАЯ СТРОЧКА

Правильный внешний вид строчки зависит, главным образом, от определения сбалансированного натяжения верхней и нижней нити. Натяжение хорошо сбалансировано, когда переплетение обеих ниток расположено в середине толщины ткани, которую вы сшиваете.

Если, после начала процесса шитья, вы увидите некрасивую строчку, вам необходимо отрегулировать натяжение. Однако регулировать натяжение можно только после того, как вы определите, что в машину правильно заправлена нить (смотрите страницу 25).

Выполняйте регулировки при «опущенной» прижимной лапке.

Сбалансированное натяжение (одинаковые стежки вверху и внизу) обычно необходимо только для шитья прямым стежком.

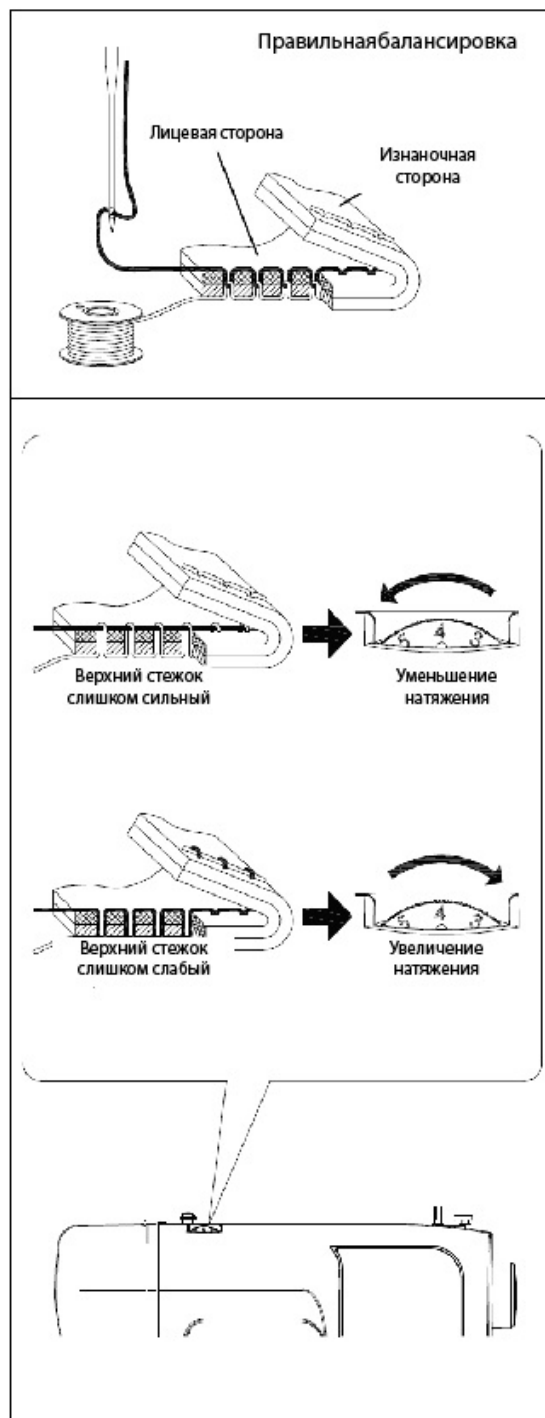
ЗИГЗАГ И ДЕКОРАТИВНОЕ ШИТЬЁ

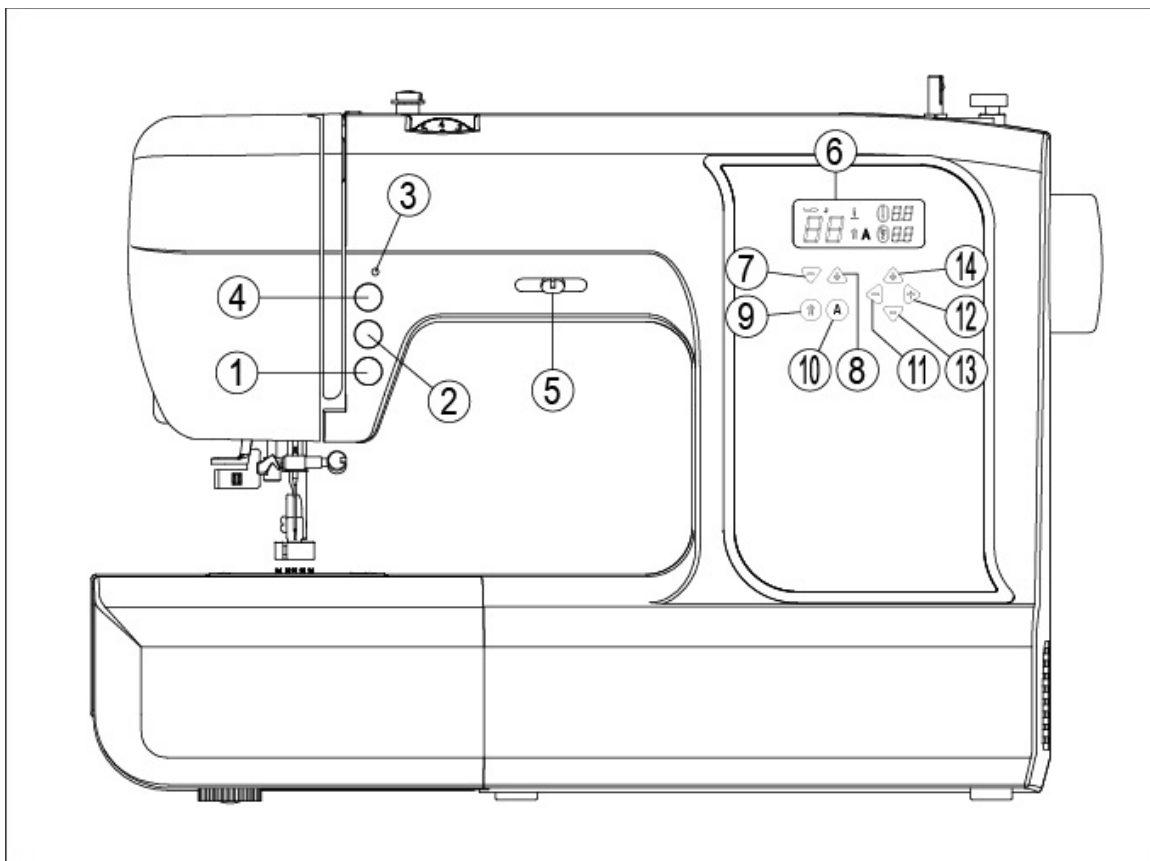
Для шитья зигзагом и декоративных строчек натяжение нити должно быть меньше, чем при шитье прямым стежком.

Вы всегда сможете получить красивые стежки, если верхняя нить будет немного выглядывать с нижней стороны строчки.


НАТЯЖЕНИЕ ШПУЛЬНОЙ НИТИ


Натяжение шпульной нити корректно выполнено на заводе, поэтому вам не нужно его регулировать.

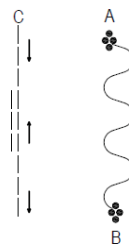





ФУНКЦИИ КНОПОК УПРАВЛЕНИЯ


1. Кнопка Старт/Стоп (если ваша машина имеет данную функциональную кнопку) 
 Слегка нажмите данную кнопку и машина начнет работать. Слегка нажмите данную кнопку повторно и машина остановится.
 Внимание! Когда pedalное управление (ножная педаль) подключено к машине, функционирование данной кнопки прекращается.

2. Кнопка реверса стежка/закрепochного стежка (2 функции) 
 А. Когда машина остановлена, нажмите и удерживайте данную кнопку. Машина будет делать стежки реверса до тех пор, пока кнопку не отпустят. (Эта функция применима к стежкам #00, #01 и #02).
 В. Когда машина остановлена, нажмите и удерживайте данную кнопку. При этом машина медленно сделает 4 стежка на одном месте (это функция закрепочного стежка) и автоматически остановится. (Эта функция применима ко всем стежкам за исключением стежков #00, #01 и #02.).
 С. Во время работы машины нажмите на данную кнопку и удерживайте её. Машина начнёт медленно шить назад до тех пор, пока будет нажата эта кнопка. Как только кнопка будет отпущена, машина продолжит шить вперёд. (Эта функция применима к стежкам #00, #01 и #02).
 D. Во время работы машины нажмите на данную кнопку и удерживайте её. Машина медленно сделает 4 стежка на одном месте (это функция закрепочного стежка) и автоматически остановится. (Эта функция применима к стежкам #00, #01 и #02).



3. Индикатор подъёма и опускания иглы 

Когда игла находится в нижнем положении, данный индикатор будет гореть. Когда игла в верхнем положении, данный индикатор не будет гореть.

4. Кнопка подъёма и опускания иглы 

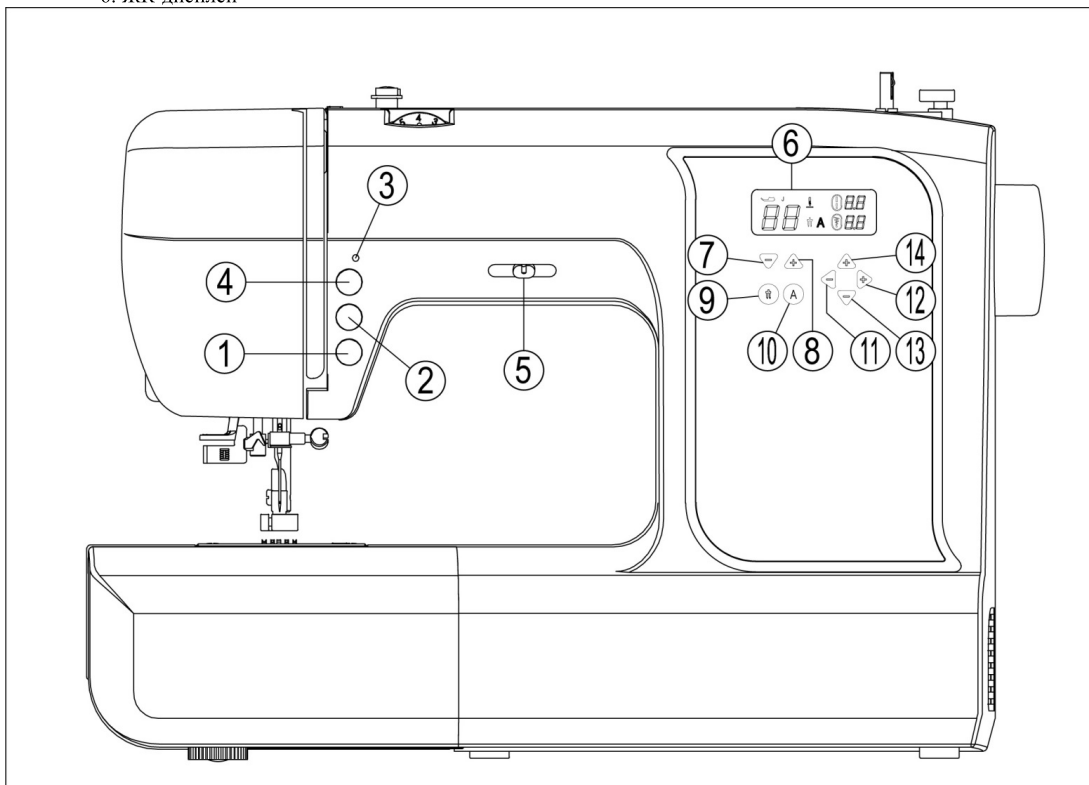
Заводские установки машины: при остановке машины игла всегда остается в самом верхнем положении.
Если данная кнопка нажата и горит индикатор, то игла при этом будет останавливаться в нижнем положении.

5. Регулятор скорости (если ваша машина имеет данную функцию).

Ⓢ Если ножная педаль подключена к машине, скорость шитья так же контролируется данным регулятором.



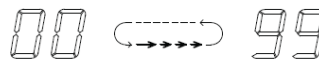
6. ЖК-дисплей



ФУНКЦИИ КНОПОК УПРАВЛЕНИЯ

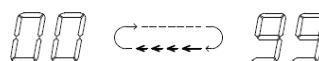
7. Кнопка уменьшения номера строчки

Нажмите данную кнопку, число на ЖК-дисплее будет уменьшаться. Удерживайте данную кнопку в нажатом состоянии и номер строчки будет уменьшаться непрерывно и быстро.



8. Кнопка увеличения номера строчки

Нажмите данную кнопку, число на ЖК-дисплее будет увеличиваться. Удерживайте данную кнопку в нажатом состоянии и номер строчки будет увеличиваться непрерывно и быстро.



9. Функциональная кнопка переключения на двойную иглу

В нормальном положении машина настроена на шитьё одной иглой.



10. Кнопка выбора алфавита



11. Кнопка уменьшения ширины стежка

Нажмите данную кнопку, число на ЖК-дисплее будет уменьшаться. Удерживайте данную кнопку в нажатом состоянии и число будет уменьшаться непрерывно и быстро.



12. Кнопка увеличения ширины стежка

Нажмите данную кнопку, число на ЖК-дисплее будет увеличиваться. Удерживайте данную кнопку в нажатом состоянии и число будет увеличиваться непрерывно и быстро.



13. Кнопка уменьшения длины стежка

Нажмите данную кнопку, число на ЖК-дисплее будет уменьшаться. Удерживайте данную кнопку в нажатом состоянии и число будет уменьшаться непрерывно и быстро.



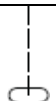
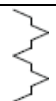

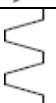














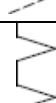







14. Кнопка увеличения длины стежка








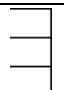


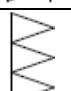


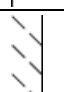
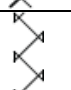

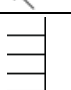


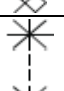
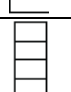
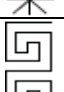
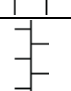

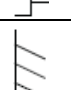

Нажмите данную кнопку число на ЖК-дисплее будет увеличиваться. Удерживайте данную кнопку в нажатом состоянии и число будет увеличиваться непрерывно и быстро.











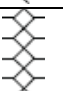
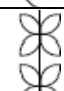
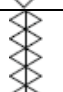




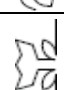


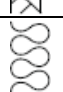













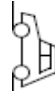







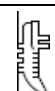
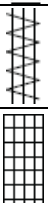
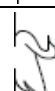





2. НАЧИНАЕМ ШИТЬ

ТАБЛИЦА СПРАВОЧНЫХ ДАННЫХ ДЛИНЫ И ШИРИНЫ СТЕЖКА

Номер строчки	Образец строчки	Длина стежка		Ширина стежка		Номер строчки	Образец строчки	Длина стежка		Ширина стежка	
		Авто	Ручной	Авто	Ручной			Авто	Ручной	Авто	Ручной
00		3.0	0.8 - 5.0	M	L R	13		2.0	1.0 - 2.6	5.0	2.0 - 7.0
01		3.0	0.8 - 5.0	L	L R	14		2.0	1.0 - 2.6	5.0	2.0 - 7.0
02		2.0	1.0 - 5.0	M	L R	15		1.0	1.0-2.0	5.0	4.0 - 7.0
03		2.6	2.0 - 4.0	M	L R	16		0.6	0.4 - 1.0	7.0	4.0 - 7.0
04		0	-	M	-	17		0.6	0.4 - 1.0	6.0	4.0 - 7.0
05		2.6	1.4 - 2.6	1.0	1.0 - 3.0	18		0.6	0.4 - 1.0	6.0	4.0 - 7.0
06		2.6	1.6 - 2.6	M	L R	19		0.6	0.4 - 1.0	7.0	4.0 - 7.0
07		2.0	0.0 - 2.6	5.0	2.0 - 6.0	20		0.6	0.4 - 1.0	7.0	4.0 - 7.0
08		1.0	0.4 - 2.0	6.0	2.5 - 7.0	21		0.6	0.4 - 1.0	7.0	4.0 - 7.0
09		2.0	1.0 - 3.0	3.0	2.0 - 5.0	22		0.6	0.4 - 1.0	7.0	4.0 - 7.0
10		2.0	1.0 - 3.0	3.0	2.0 - 5.0	23		0.6	0.4 - 1.0	7.0	4.0 - 7.0
11		2.0	1.0 - 3.0	3.0	2.0 - 5.0	24		0.6	0.4 - 1.0	7.0	4.0 - 7.0
12		2.0	1.0 - 3.0	3.0	2.0 - 5.0	25		0.6	0.4 - 1.0	6.0	4.0 - 7.0

Номер строчки	Образец строчки	Длина стежка		Ширина стежка		Номер строчки	Образец строчки	Длина стежка		Ширина стежка	
		Авто	Ручной	Авто	Ручной			Авто	Ручной	Авто	Ручной
26		0.6	0.4 - 1.0	6.0	4.0 - 7.0	39		2.6	1.0 - 2.6	5.0	4.0 - 7.0
27		0.6	0.4 - 1.0	7.0	4.0 - 7.0	40		2.6	1.4 - 2.6	5.0	4.0 - 7.0
28		0.6	0.4 - 1.0	7.0	4.0 - 7.0	41		2.6	1.4 - 2.6	5.0	4.0 - 7.0
29		2.6	1.4 - 2.6	5.0	2.5 - 5.5	42		2.6	1.4 - 2.6	7.0	4.0 - 7.0
30		2.6	1.4 - 2.6	5.5	4.0 - 7.0	43		2.6	1.4 - 2.6	7.0	4.0 - 7.0
31		2.6	1.4 - 2.6	5.5	4.0 - 7.0	44		2.6	1.0 - 2.6	5.0	4.0 - 7.0
32		2.6	1.4 - 2.6	5.0	4.0 - 7.0	45		2.6	1.0 - 2.6	5.0	4.0 - 7.0
33		2.6	1.4 - 2.6	5.5	4.0 - 7.0	46		2.6	1.4 - 2.6	7.0	4.0 - 7.0
34		2.6	1.4 - 2.6	4.0	2.0 - 7.0	47		2.6	1.4 - 2.6	6.0	4.0 - 7.0
35		2.6	1.4 - 2.6	4.0	2.0 - 7.0	48		2.6	1.4 - 2.6	5.0	4.0 - 7.0
36		2.6	1.4 - 2.6	5.0	4.0 - 7.0	49		2.6	1.4 - 2.6	7.0	4.0 - 7.0
37		2.6	1.4 - 2.6	5.0	3.0 - 5.0	50		2.6	1.4 - 2.6	7.0	4.0 - 7.0
38		2.6	1.0 - 2.6	5.0	4.0 - 7.0	51		2.6	1.4 - 2.6	7.0	4.0 - 7.0

Номер строчки	Образец строчки	Длина стежка		Ширина стежка		Номер строчки	Образец строчки	Длина стежка		Ширина стежка	
		Авто	Ручной	Авто	Ручной			Авто	Ручной	Авто	Ручной
52		2.6	1.4 - 2.6	7.0	4.0 - 7.0	65		2.0	1.4 - 2.6	6.0	4.0 - 7.0
53		2.6	1.4 - 2.6	7.0	4.0 - 7.0	66		2.0	1.4 - 2.6	6.5	4.0 - 6.5
54		2.6	1.4 - 2.6	7.0	4.0 - 7.0	67		1.8	1.4 - 2.6	6.5	4.0 - 6.5
55		2.6	1.4 - 2.6	7.0	4.0 - 7.0	68		1.2	1.2 - 2.6	6.5	4.0 - 7.0
56		1.2	1.2 - 2.6	6.5	5.0 - 6.5	69		1.4	1.4 - 2.6	5.0	4.0 - 7.0
57		1.8	1.2 - 2.6	6.0	4.0 - 7.0	70		1.6	1.4 - 2.6	7.0	4.0 - 7.0
58		2.6	1.4 - 2.6	5.0	4.0 - 7.0	71		1.6	1.4 - 2.6	6.5	4.0 - 6.5
59		1.6	1.0 - 2.6	6.0	4.0 - 7.0	72		1.6	1.4 - 2.6	7.0	4.0 - 7.0
60		2.6	1.4 - 2.6	5.0	4.0 - 7.0	73		2.6	1.4 - 2.6	7.0	4.0 - 7.0
61		2.6	1.4 - 2.6	6.0	4.0 - 7.0	74		2.0	1.4 - 2.6	7.0	4.0 - 7.0
62		1.0	1.0 - 2.6	7.0	4.0 - 7.0	75		1.8	1.4 - 2.6	7.0	4.0 - 7.0
63		1.4	1.2 - 2.6	5.0	4.0 - 7.0	76		1.6	1.4 - 2.6	7.0	4.0 - 7.0
64		2.6	1.4 - 2.6	6.5	4.0 - 6.5	77		1.8	1.4 - 2.6	7.0	4.0 - 7.0

Номер строчки	Образец строчки	Длина стежка		Ширина стежка		Номер строчки	Образец строчки	Длна стежка		Ширина стежка	
		Авто	Ручной	Авто	Ручной			Авто	Ручной	Авто	Ручной
78		1.8	1.4 - 2.6	7.0	4.0 - 7.0	91		0.6	0.4 - 1.0	3.5	3.5
79		1.6	1.4 - 2.6	7.0	4.0 - 7.0	92		0.6	0.4 - 1.0	5.0	5.0
80		2.6	1.4 - 2.6	7.0	4.0 - 7.0	93		0.6	0.4 - 1.0	5.0	5.0
81		2.4	1.4 - 2.6	5.0	5.0 - 6.5	94		0.6	0.4 - 1.0	5.0	5.0
82		1.8	1.4 - 2.6	6.5	4.0 - 6.5	95		0.6	0.4 - 1.0	5.0	5.0
83		1.8	1.4 - 2.6	7.0	4.0 - 7.0	96		0.6	0.4 - 1.0	3.5	3.5
84		1.6	1.4 - 2.6	7.0	4.0 - 7.0	97		2.0	1.4 - 2.4	5.0	5.0
85		1.8	1.4 - 2.6	6.5	5.0 - 6.5	98		1.0	1.0	3.0	3.0
86		2.4	1.4 - 2.6	6.5	5.0 - 6.5	99		2.0	2.0	6.0	6.0
87		2.4	1.4 - 2.6	6.5	5.0 - 6.5						
88		2.0	1.8 - 2.6	7.0							
89		0.0		3.0	2.0-5.0						
90		0.6	0.4 - 1.0	5.0	5.0						

ПРЯМАЯ СТРОЧКА



Стежок прямой строчки наиболее часто используемый.

Приступите к работе и выполните следующие шаги.

1. НАСТРОЙКИ

Прижимная лапка: универсальная лапка
Натяжение нити: (4)

ПРИМЕЧАНИЕ: Для толстых тканей, может потребоваться «тонкая настройка» натяжения.

- A. Регулятор натяжения нити
- B. Кнопка реверса (закрепка)
- C. Старт/Стоп
- D. Рычаг подъема прижимной лапки
- E. Кнопка уменьшения номера строчки
- F. Кнопка увеличения номера строчки
- G. Кнопка уменьшения ширины стежка
- H. Кнопка увеличения длины стежка
- I. Кнопка увеличения ширины стежка
- J. Кнопка уменьшения длины стежка.

ПРИМЕЧАНИЕ: Поскольку прямой стежок не имеет ширины, устройство управления шириной стежка используется для изменения положения иглы.

2. Протяните обе нитки под прижимной лапкой назад, оставив около 15 мм свободными.
3. Поместите ткань под прижимную лапку и опустите рычаг подъема прижимной лапки.
4. Поверните маховое колесо против часовой стрелки, пока иглолка не войдет в ткань.
5. Запустите машину. Осторожно направляйте ткань руками. При достижении конца строчки, остановите швейную машину.

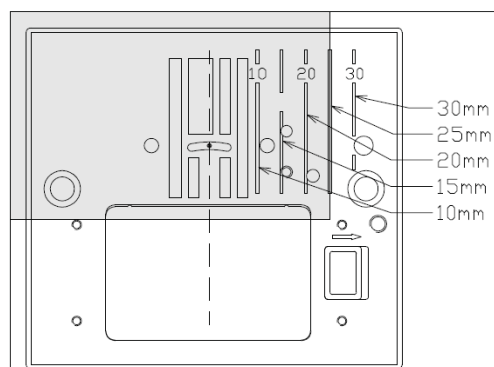
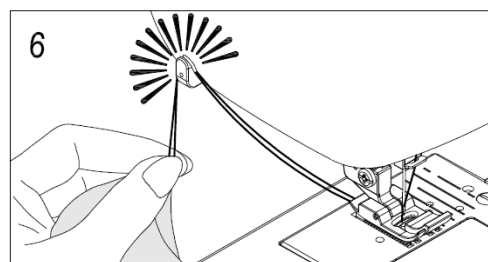
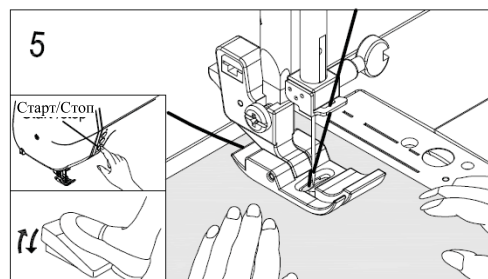
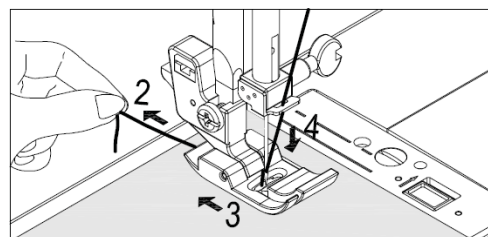
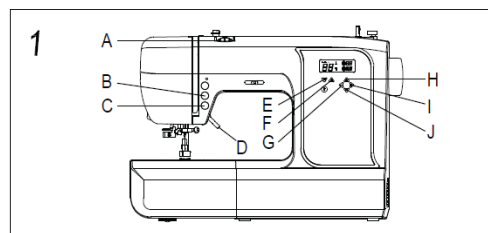
ПРИМЕЧАНИЕ: Игольная пластина имеет несколько направляющих линий, которые предназначены для направления ткани при создании параллельных швов.

6. Сначала поверните маховое колесо против часовой стрелки, пока игла не достигнет самого высокого положения, далее поднимите прижимную лапку, переместите ткань назад и отрежьте лишние нитки с помощью нитеобрезчика, расположенного на верхней части передней крышки, как показано на рисунке.

ПРИМЕЧАНИЕ: Для закрепления строчки и во избежание распускания нити, нажмите кнопку обратного реверса (закрепки) и выполните несколько стежков в начале и конце строчки.

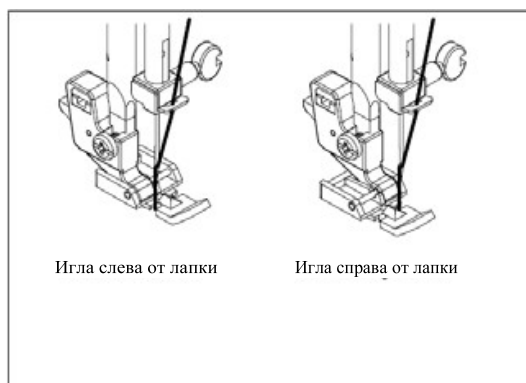
СОЗДАНИЕ ПАРАЛЛЕЛЬНЫХ СТРОЧЕК

Для создания параллельных строчек используйте одну из пронумерованных направляющих на игольной пластине. Число указывает расстояние от центрального положения иглы до среза ткани.



ВШИВАНИЕ МОЛНИИ И СОЗДАНИЕ ПОДГИБА ДЛЯ ОБРАБОТКИ ШВЕЙНОГО ИЗДЕЛИЯ

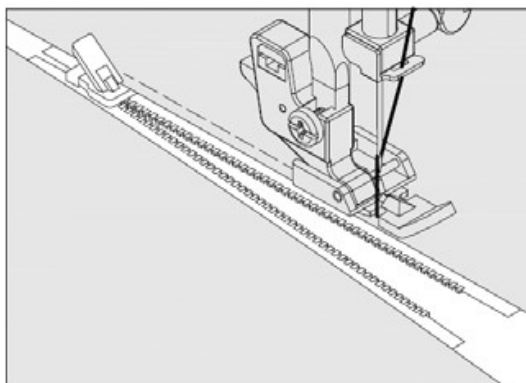
Используйте лапку для вшивания молний справа или слева от молнии или для вшивания близко к шнуру.



ВШИВАНИЕ МОЛНИЙ

Для вшивания правой стороны молнии, прикрепите левую сторону лапки для вшивания молнии к держателю прижимной лапки таким образом, чтобы игла проходила через отверстие на левой стороне лапки.

Пришейте левую сторону, далее прикрепите правую сторону лапки к держателю лапки. Прикрепите правую сторону лапки для вшивания молнии к держателю прижимной лапки таким образом, чтобы игла проходила через правую сторону лапки для вшивания молнии.

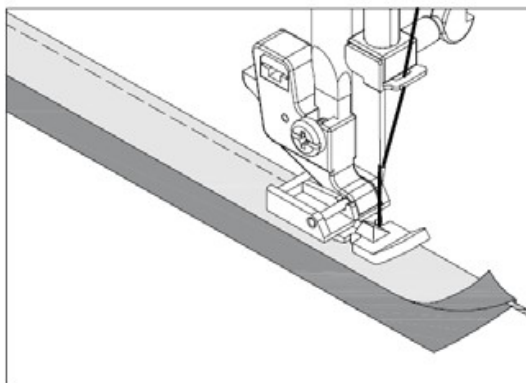


ВШИВАНИЕ ШНУРА

Создайте загиб путём оборачивания шнура кривой бейкой.

Сметайте вместе припуски на швы, оборачивая шнур и формируя тесьму шва для загиба. Далее приколите булавкой основную часть заготовки ткани для сшивания.

Полезный совет. Отрегулируйте положение иглы, чтобы сшивать ближе к загибу. Это можно сделать с помощью кнопки регулировки ширины стежка.



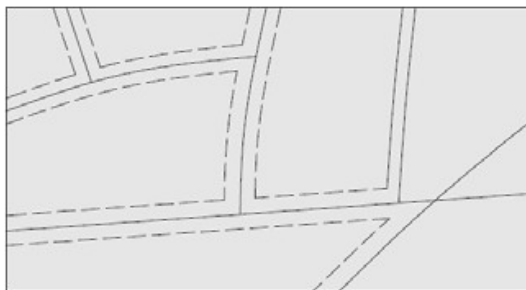
СОЗДАНИЕ СТРОЧКИ ДЛЯ ВЫСТЁГИВАНИЯ, ИМИТИРУЮЩЕЙ РУЧНУЮ РАБОТУ



Данный тип строчки позволяет создать стежок, напоминающий сшивание вручную, для отделочной строчки и строчки для выстёгивания.

1. Заправьте шпульку ниткой желаемого цвета для создания отделочного стежка. В процессе шитья машина будет тянуть эту нить вверх.
2. Заправьте машину невидимой или лёгкой верхней нитью, которая подходит для вашей ткани. Эта нить не будет видна.
3. Увеличивайте натяжение верхней нити на одну единицу постепенно и продолжайте пока не получите требуемый внешний вид.
4. Начните процесс шитья.

Примечание: Для создания эффектного внешнего вида, поэкспериментируйте с натяжением нити в комбинации с длиной стежка.



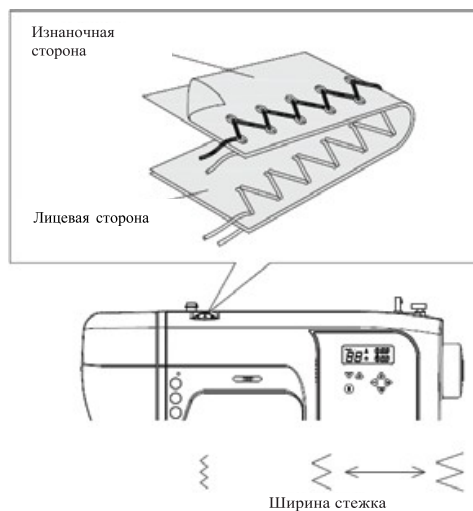
СТРОЧКА ЗИГЗАГ

НАСТРОЙКИ


Прижимная лапка: универсальная лапка
Натяжение нити (4)

Верхняя нить может виднеться снизу в зависимости от нити, ткани, типа стежка и скорости шивания, однако нижняя нить никогда не должна быть видна сверху ткани.


Если нижняя нить видна сверху или при шитье образовались складки, немного уменьшите натяжение с помощью регулятора натяжения нити.




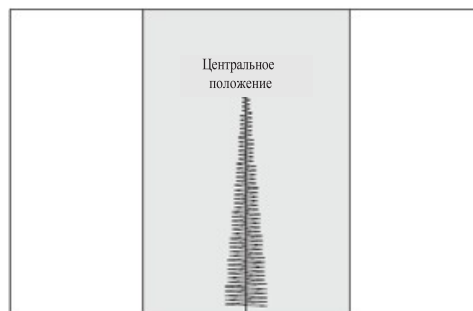
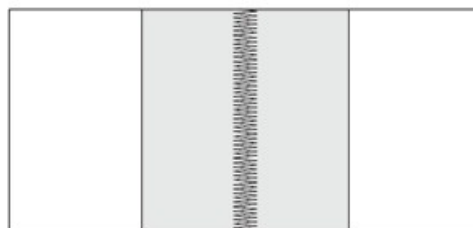
НАСТРОЙКИ ШИРИНЫ И ДЛИНЫ СТЕЖКА

 Тёмно-серый прямоугольник указывает на Автоматическое значение по умолчанию, которое устанавливается автоматически при выборе образца.

Для создания по умолчанию зигзага, длина стежка составляет 2мм, а ширина стежка 5мм.

 Светло-серый прямоугольник указывает на возможные персональные предпочтения, доступные в ручном режиме выбора настроек длины и ширины стежка.

Ширина стежка	Ширина стежка										
	mm	2,0	2,5	3,0	3,5	4,0	4,5	5,0	5,5	6,0	
0											
0,4											
0,6											
0,8											
1,0											
1,2											
1,4											
1,6											
1,8											
2,0											
2,6											



СТЕЖОК ДЛЯ ВЫШИВАНИЯ ГЛАДЬЮ

Это зигзагообразный стежок с малым шагом, используемый для создания аппликации, коротких фигурных строчек и т.д. Незначительно ослабьте натяжение нити и вручную отрегулируйте длину стежка между значениями 0,4 и 2,0 для создания строчки для вышивания гладью.

Используйте стабилизирующую подкладку для лёгкой ткани, чтобы избежать образования складок.

ПРИМЕЧАНИЕ. Для создания плотного стежка, для вышивания гладью (с малым шагом), необходимо использовать лапку для вышивания гладью.

РАСПОЛОЖЕНИЕ СТЕЖКОВ

Ширина стежка увеличивается от центрального положения иглы, как показано на рисунке.

ПОТАЙНОЙ СТЕЖОК

Потайной стежок стандартно используется для подрубki шторм, брюк, юбок и т.д.

НАСТРОЙКИ

Прижимная лапка: универсальная лапка
натяжение нити: (4)

Стандартный потайной стежок для
обычной х/б ткани

Эластичный потайной стежок для
мягкой растягиваемой ткани

1. С помощью подходящей нити обработайте
края ткани. На тонкой лёгкой ткани
заверните и приутюжьте небольшую кромку
ткани шириной 1,3 мм или менее. На
средней или тяжёлой ткани обметайте края.

2. Теперь загните ткань, как показано
на рисунке, обратной стороной вверх.

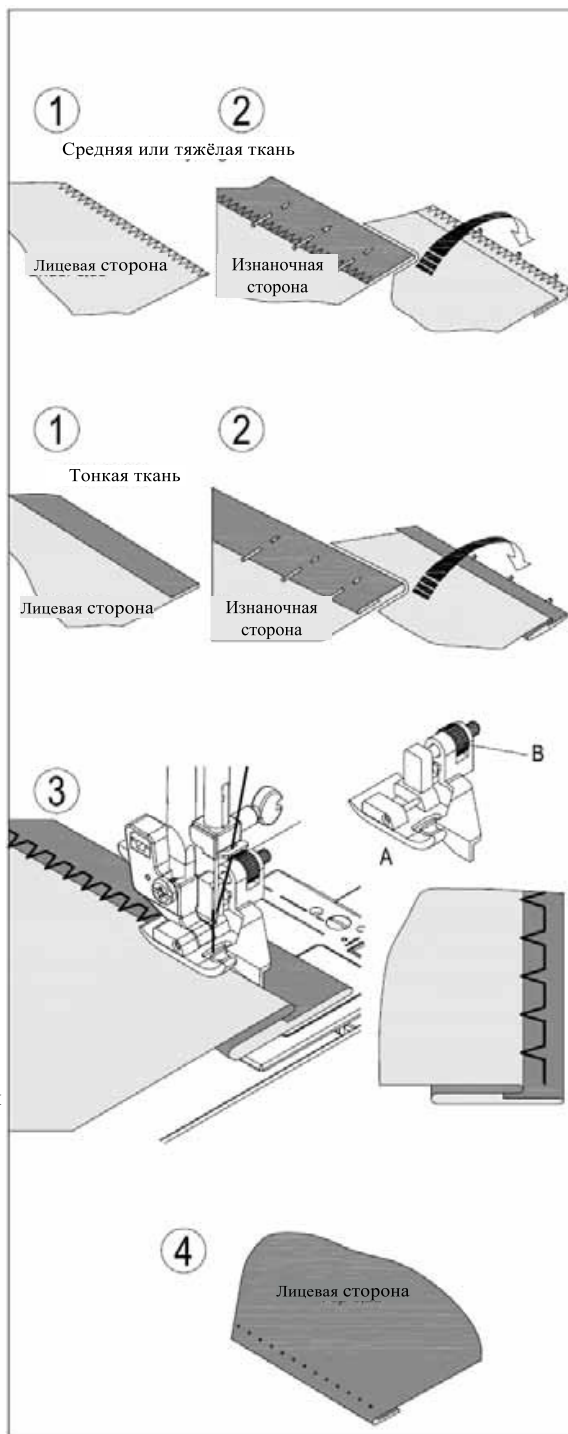
3. Поместите ткань под лапку. Поверните
маховое колесо против часовой стрелки пока
игла не переместится полностью влево. Она
должна проколоть только загнутую часть
ткани. Если это не так, отрегулируйте
направляющую. Роликом (В) на лапке для
создания потайного стежка (А) таким образом,
чтобы игла прокалывала только загнутую
часть ткани и направляющая точно оставалась
напротив складки загиба.

ПРИМЕЧАНИЕ: В дополнение к регулировке
лапки необходимо использовать кнопки
управления шириной стежка. Кнопки управления
шириной стежка изменяют колебание иглы для
создания более узкого или широкого стежка.

Сшивайте медленно, осторожно,
направляя ткань вдоль кроме
направляющей лапки А.

4. После завершения созданная строчка
будет почти невидимой на верхней стороне
ткани.

ПРИМЕЧАНИЕ: Необходимо немного
попрактиковаться для создания потайного
стежка. Всегда делайте пробную строчку.



МНОГОСТЕЖКОВЫЙ ЗИГЗАГ

НАСТРОЙКИ

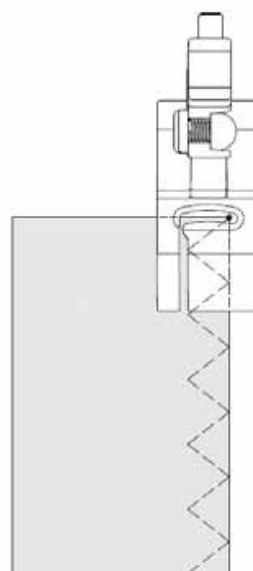
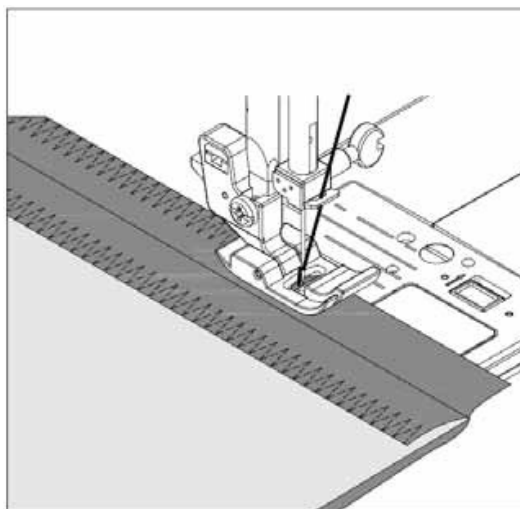
Прижимная лапка: универсальная лапка
натяжение нити: (4)

Это эластичный зигзаг. Создаётся три коротких стежка, в то время, как при стандартном зигзаге создаётся только один стежок.

По этой причине данный стежок настоятельно рекомендуется для обработки всех видов ткани.

Данный стежок также идеально подходит для короткой фигурной строчки при зашивании дырок, пришивании заплаток, вышивании полотенец и скрепления гладкой эластичной ткани.

ПРИМЕЧАНИЕ: Для зашивания дырок или обмётывания, как показано на рисунке, требуется настройка длины стежка.



ТРИКОТАЖНЫЕ И ДЕКОРАТИВНЫЕ СТРОЧКИ

НАСТРОЙКИ

Прижимная лапка: универсальная лапка
натяжение нити: (4)

Трикотажные строчки главным образом предназначены для использования на трикотажных и эластичных тканях, но также могут применяться для х/б ткани.

ПРЯМОЙ ТРИКОТАЖНЫЙ СТЕЖОК



Прямой трикотажный стежок намного прочнее, чем стандартный прямой стежок, поскольку он выполняется трижды - вперёд - назад - вперёд.

Он наиболее подходит для укрепления швов спортивной одежды, для растягивающейся ткани и для закруглённых швов.

Используйте данный тип стежка для отделочных стежков отворота воротничков, манжет с целью создания профессиональной отделки вашего изделия.

ТРИКОТАЖНЫЙ ЗИГЗАГ



Данный тип стежка подходит для создания декоративного лицевого стежка. Он идеально пригоден для обшивания по кромке воротничков, пройм, рукавов и каёмки. При ручной регулировке до очень узкой ширины, данный стежок может применяться для сшивания в зонах с повышенной нагрузкой.

СТЕЖОК ТИПА СОТЫ



Данный тип стежка идеально подходит для мелкой сборки и для обмётывания и скрепления эластичного и растягивающегося кружева.

Сделайте несколько рядов складок поперёк ткани, которую вы хотите украсить сборками.

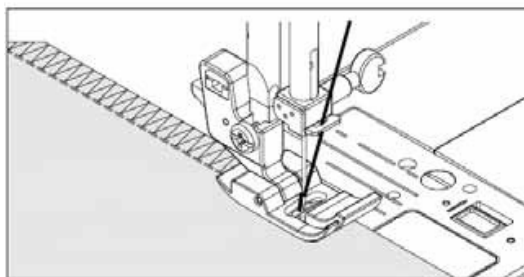
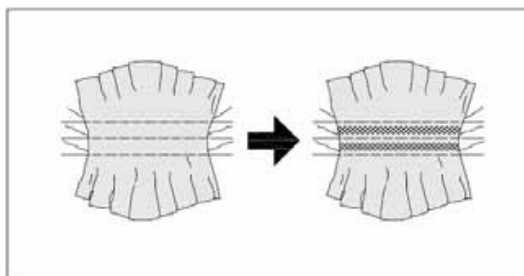
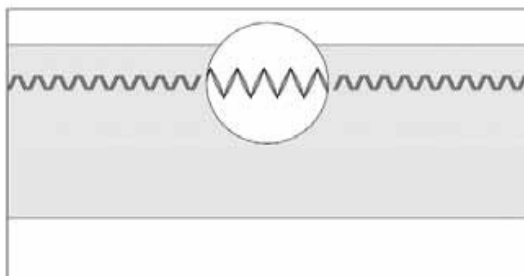
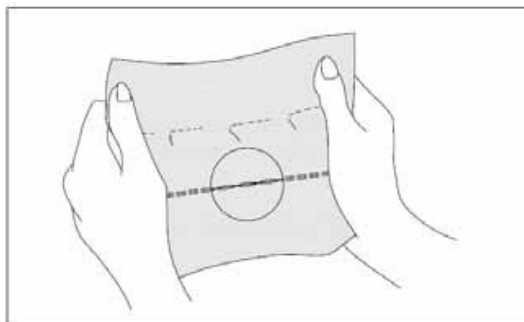
Вместе с узкой полоской ткани напрямую под линией сборки сшейте данным стежком. В результате получится серия из небольших ромбов.

ПРИМЕЧАНИЕ: При создании стежка типа соты необходимо использовать лапку, такую же, как при создании стежка для вышивания гладью.

КРАЕОБМЁТОЧНЫЙ СТЕЖОК



Данный тип стежка используется в швейной промышленности при изготовлении спортивной одежды. С его помощью выполняется сшивание и завершение создания шва за одну операцию. Стежок идеально пригоден для ремонта изношенных кромок швейных изделий.

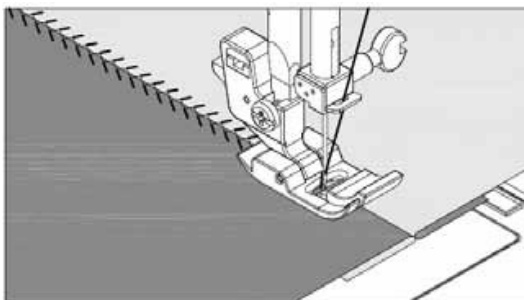


СТЕЖОК ЁЛОЧКОЙ



Данный стежок используется для создания отделочного стежка или при креплении кружева или вставок, при изготовлении нижнего белья.

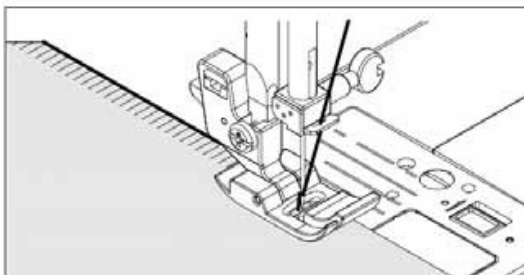
Стежок идеален для выстёгивания и стачивания тканей.



СТЕРЖНЕВОЙ СТЕЖОК



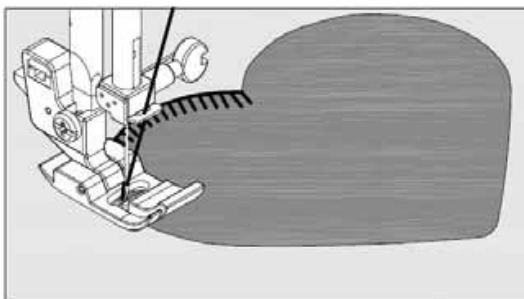
Данный тип стежка является стандартным образцом стежка, который используется для зубчатых кромок и аппликаций.



ДЕКОРАТИВНЫЙ СТЕЖОК



Имитация ручного стежка. Этот многоцелевой стежок может использоваться для прикрепления бахромы, окаймления, создания декоративного стежка, аппликации и выстрачивания ажурной строчки.



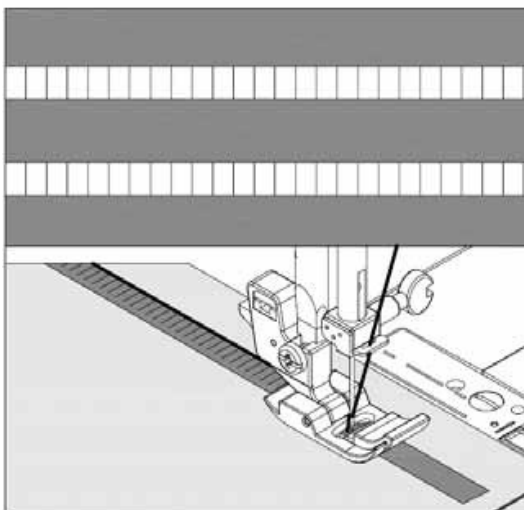
СТУПЕНЧАТЫЙ СТЕЖОК



Ступенчатый стежок первоначально использовался для выстрачивания ажурной строчки. Также он может использоваться для сшивания по тонким лентам равного или одинакового цвета. Поместите стежок в центре и создайте особый эффект при декорировании.

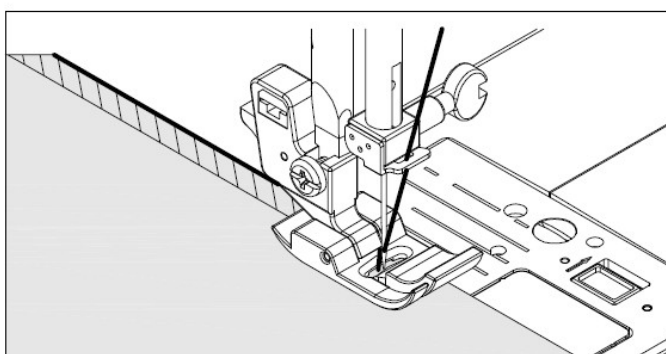
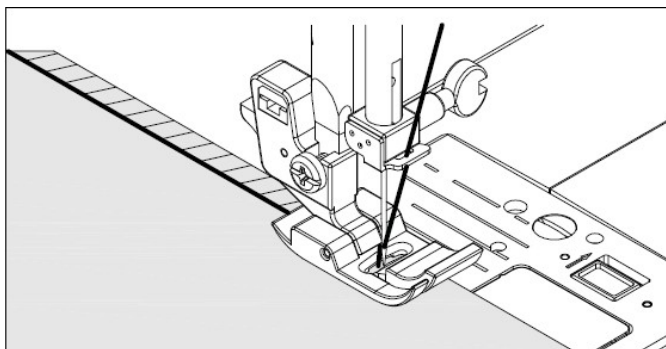
Ещё одним примером использования ступенчатого стежка является создание декоративного стежка по узкой ленте, пряже или эластичной ленте.

Для получения ажурной строчки выберите грубый тип ткани и после сшивания сделайте ступенчатый стежок для создания лёгкого и воздушного эффекта.



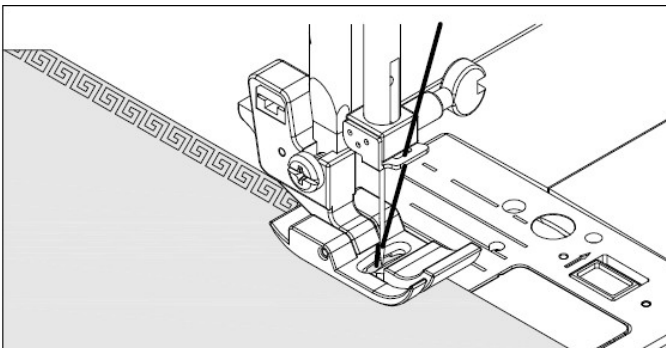
НАКЛОННЫЙ СТЕРЖНЕВОЙ СТЕЖОК

Идеально подходит для выстрачивания скатертей и покрывал для создания элегантного внешнего вида. Зубчатый стежок может также создаваться на тонких материалах. Сшивайте вдоль необработанного края ткани и подрубите ближе к наружной стороне среза.



СТЕЖОК В ВИДЕ ГРЕЧЕСКОГО ОРНАМЕНТА

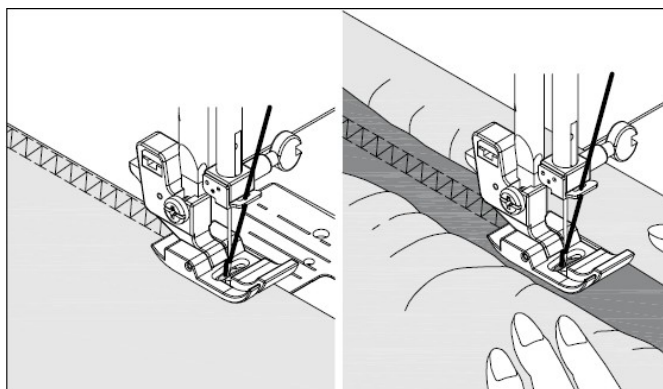
Данный традиционный образец стежка подходит для создания декоративных границ каймы и отделок на кромках.



ДВОЙНОЙ ОВЕРЛОЧНЫЙ СТЕЖОК



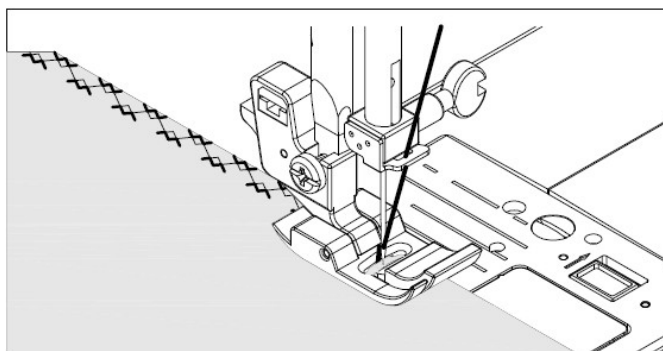
Двойной оверлочный стежок имеет три основных применения. Идеально подходит для скрепления узкой эластичной ткани при изготовлении или ремонте швейного изделия, для обмётывания и обмётывания за одну операцию. Первоначально использовался на растягивающейся ткани, такой как льняное полотно, твид и х/б ткань средней и тяжёлой плотности.



СТЕЖОК КРЕСТ-НАКРЕСТ



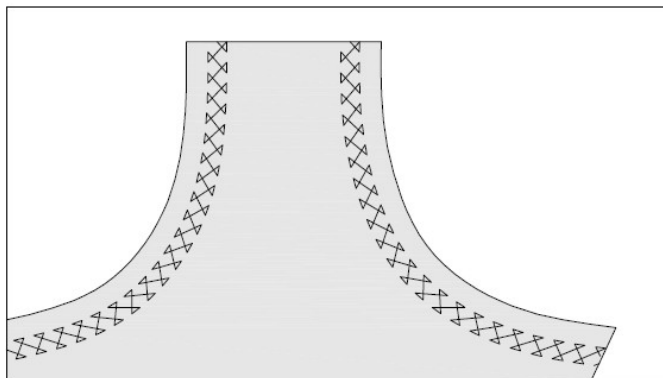
Используется для сшивания и окончательной обработки растягивающейся ткани или для декоративной строчки, как при создании обрамления.



СТЕЖОК КРЕСТИКОМ



Используется для сшивания и окончательной отделки.



ДЕКОРАТИВНЫЕ СТРОЧКИ НАСТРОЙКИ

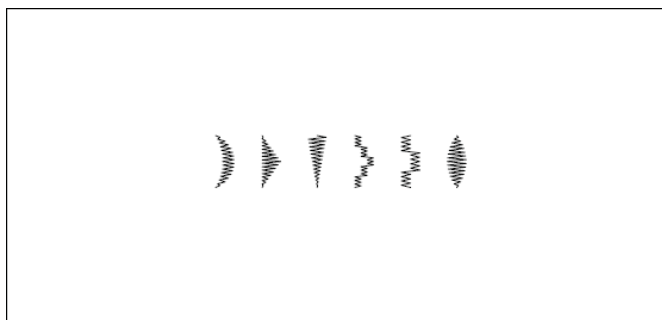
Прижимная лапка: лапка для вышивания гладью, натяжение нити: (4)

* Всегда пробуйте на полоске материала используемого в вашем изделии

* Перед началом шитья проверьте, что шпульку намотано достаточное количество нити, чтобы они не закончились в процессе шитья.

* Незначительно ослабьте натяжение верхней нити.

Полезный совет. Для получения эстетического внешнего вида, поэкспериментируйте с уменьшением натяжения нити.



ИДЕИ ПО ДЕКОРАТИВНОМУ ШИТЬЮ

Ракушкообразная строчка на воротнике

Это идеальный декоративный стежок, который можно применить для рукавов и воротничков женской одежды, а также для кромок льняных скатертей.

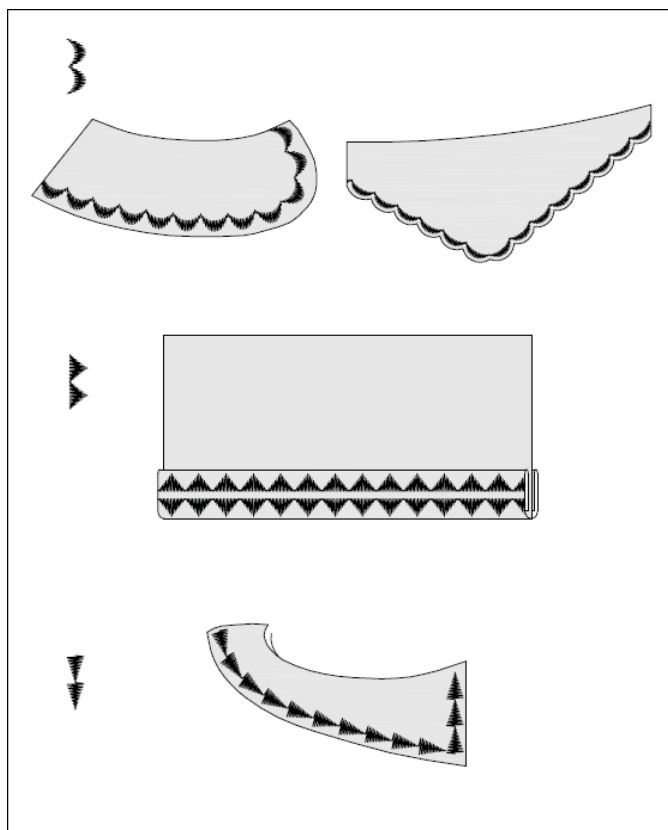
При использовании данного стежка для льняных скатертей, сделайте стежок и затем подрежьте кромку ткани вдоль края стежка. Будьте осторожны, чтобы в этот момент не перерезать стежок.

Пирамида на косой бейке

Используйте косую бейку и подогните кромку. Вышейте строчку пирамиды на верхней части.

Стреловидный стежок на отвороте

В дополнение к использованию данной строчки в качестве декоративного стежка, его также можно применять, как треугольный закрепочный стежок для укрепления зог, которые могут легко распускаться. Это особенно полезно для прошивания обеих кромок карманов.

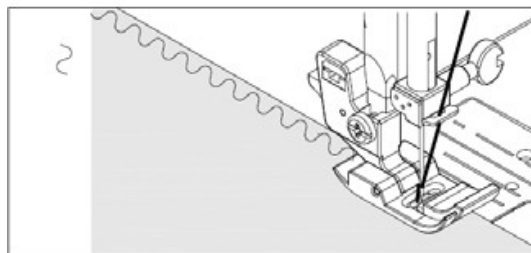
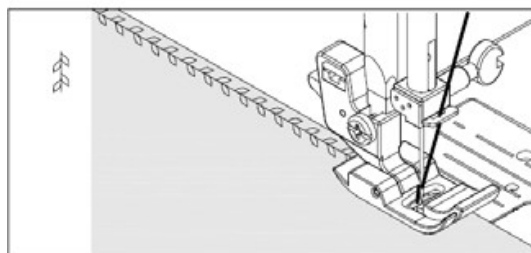
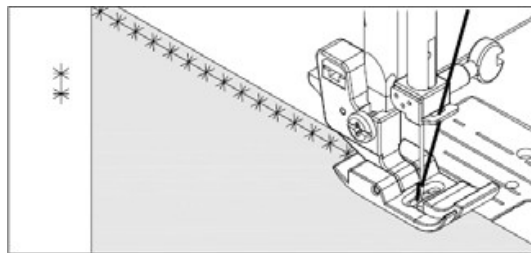
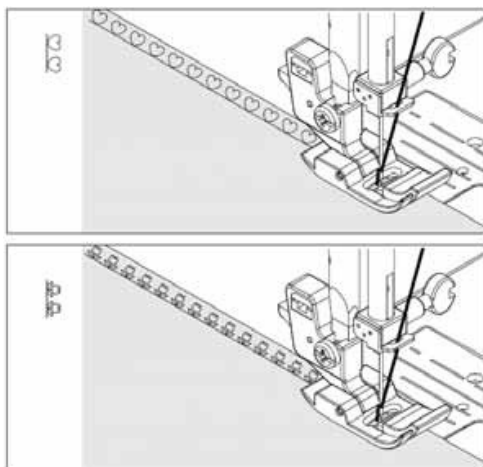


НЕПРЕРЫВНЫЕ УЗОРЫ

НАСТРОЙКИ

Прижимная лапка: лапка для вышивания гладью, натяжение нити: (4)

Данные строчки зачастую можно увидеть на краях или каёмках швейных изделий. Используйте строчку, которая вам подходит больше всего.



ПРИШИВАНИЕ ПУГОВИЦ

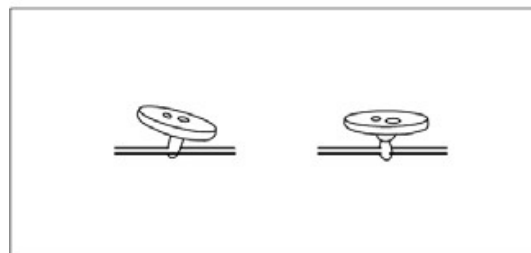
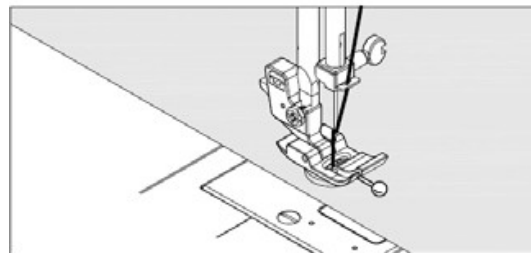
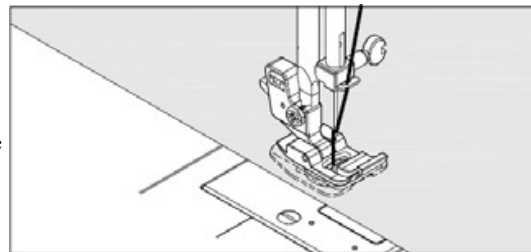
НАСТРОЙКИ

Прижимная лапка: универсальная лапка

Поместите вашу ткань под лапку. Поверните маховое колесо для того, чтобы убедиться, что игла попадает в левое и правое отверстия пуговицы. При необходимости отрегулируйте ширину стежка. Сделайте 10 стежков.

Если нужно пришить пуговицу на ножке, поместите булавку сверху пуговицы шейте поверху, как показано на рисунке.

Для укрепления ножки отрежьте нитки, оставляя хвостик длиной 20 см. Пропустите игльную нитку через отверстие в пуговице и закрутите вокруг ножки. Пропустите разделительную нитку с противоположной стороны и завяжите узелок.



ВЫМЕТЫВАНИЕ ПЕТЕЛЬ ДЛЯ ПУГОВИЦ ИСПОЛЬЗОВАНИЕ ЛАПКИ ДЛЯ ВЫМЕТЫВАНИЯ ПЕТЕЛЬ ДЛЯ ПУГОВИЦ

- Размер петли пуговицы устанавливается автоматически посредством размещения пуговицы в автоматической лапке для выметывания петель (R).
- Держатель лапки может вмещать в себя пуговицы диаметром до 2,4 см.
- Сделайте пробное выметывание петли для пуговицы на образце из подкладочного материала и ткани вашего изделия.
- Поместите пуговицу на ткань и пометьте верхнюю и нижнюю части, чтобы определить положение петли для пуговицы.
- Используйте подкладочный материал на растягивающихся тканях.

ПОСЛЕДОВАТЕЛЬНОСТЬ ВЫПОЛНЕНИЯ

1. Поверните маховое колесо вперёд для поднятия иглы в самое высокое положение. Поднимите рычаг подъёма прижимной лапки.

2. Установите автоматическую лапку для выметывания петли (обратитесь к разделу «Замена прижимной лапки» стр. 50).

3. Потяните держатель пуговицы лапки назад и поместите в него лапку. Толкните назад держатель пуговицы как можно сильнее.

4. Выберите один из образцов петли для пуговицы.

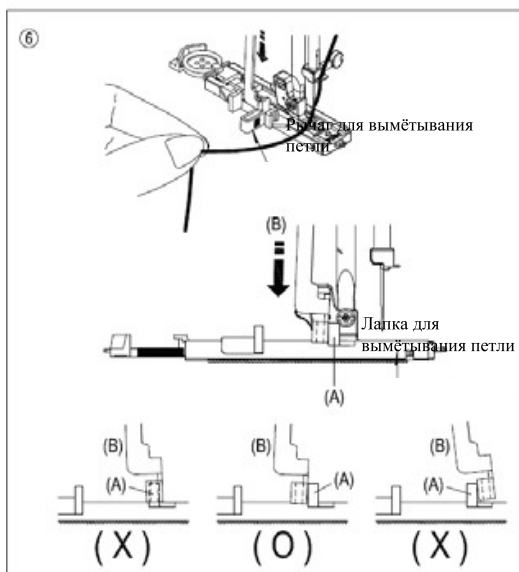
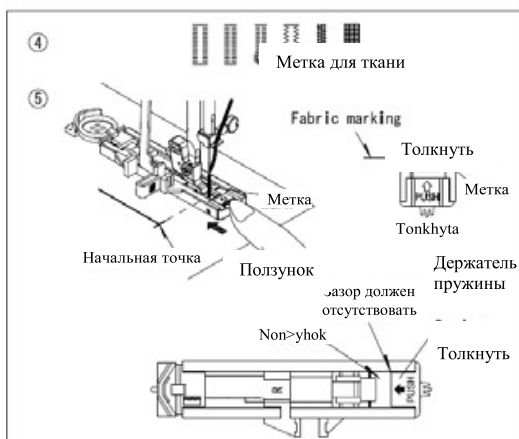
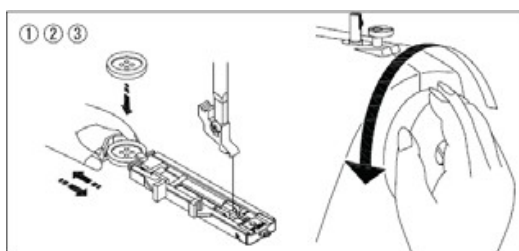
5. Поместите швейное изделие под лапку, опустите иголку в начальное положение. Далее опустите автоматическую лапку для выметывания петли.

Когда вы опускаете рычаг прижимной лапки вашей правой рукой, удерживайте лапку для выметывания петлей левой рукой и осторожно толкайте вперёд, чтобы убедиться в отсутствии зазора между ползунком и держателем пружины (см. рис. 5).

ПРИМЕЧАНИЕ: Зазор между ползунком и держателем пружины должен отсутствовать, как показано на рисунке.

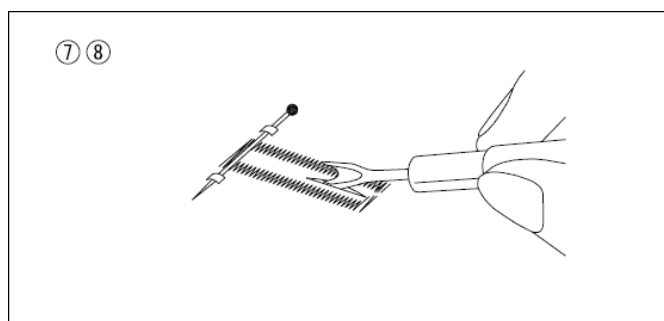
6. Потяните вниз рычаг выметывания петлей для пуговицы в самое нижнее положение и установите его с левой стороны выступа А.

Удерживая верхнюю нить запустите машину.

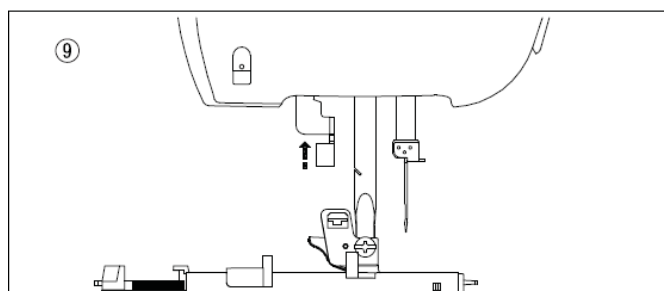


7. Обрежьте игольную и нижнюю нити, оставляя концы около 10 см. Вытяните игольную нить с изнаночной стороны ткани, потянув нижнюю нить. Далее завяжите узелок.

8. Вставьте булавку внутрь закрепки. Далее прорежьте отверстие с помощью вспарывателя. Будьте осторожны, чтобы не прорезать стежки закрепки.

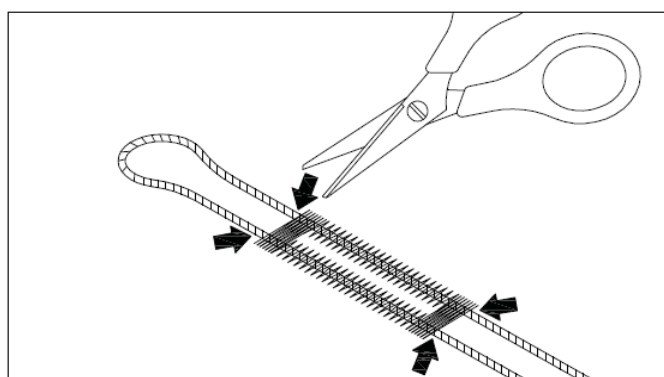
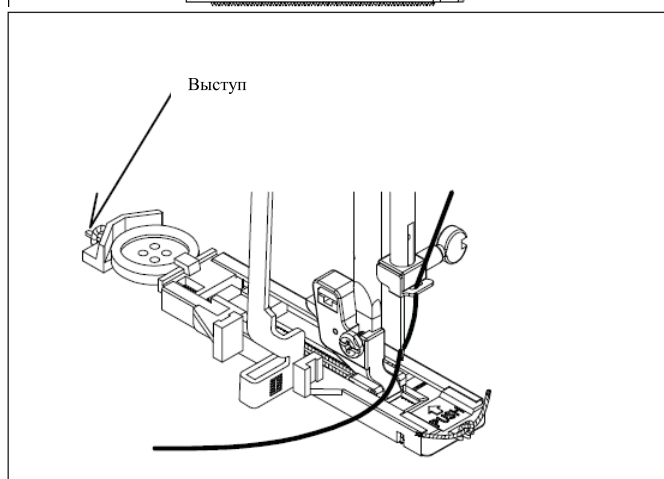


9. После завершения выметывания петли для пуговицы толкните рычаг выметывания петли вверх, как можно сильнее.




ПЕТЛЯ С КАРКАСНОЙ НИТКОЙ

Проденьте шнур (вязальная нитка или каркасная нитка для выметывания петли) через острый выступ на лапке и потяните оба конца шнура вперёд под лапку и завяжите шнур, как показано на рисунке. Обметайте петлю для пуговицы так, чтобы зигзагообразные стежки кромки петли покрыли шнур. После завершения выньте шнур из лапки и отрежьте лишнюю длину.



ШТОПАЛЬНАЯ СТРОЧКА НАСТРОЙКИ


Лапка: лапка для изготовления петли (R), натяжение нити: 3 - 6 

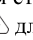
Начало шитья

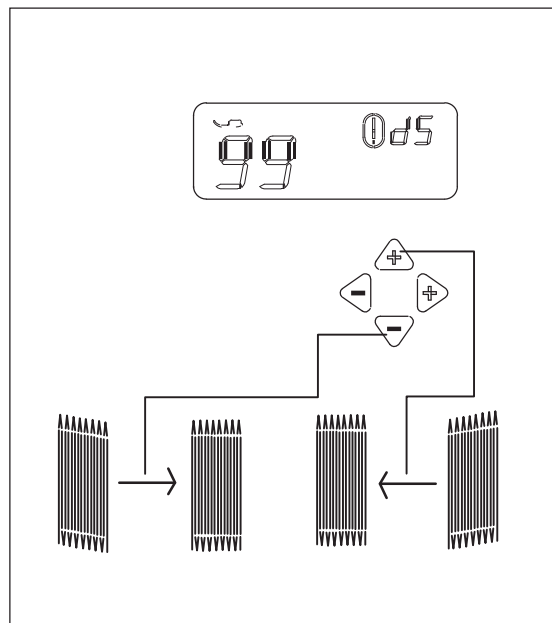
Смотрите стр. 36. Выполнение петли для пуговицы

Настройка равномерной штопки

При включённой строчке в правом верхнем углу дисплея светятся буквы **0d5** (по умолчанию)

Когда правая сторона прямоугольника ниже, чем левая сторона, нажмите  для установки значения от d0 до d4.

Когда левая сторона ниже, чем правая сторона, нажмите  для установки значений от d6 до d9.



ШИТЬЁ БУКВ

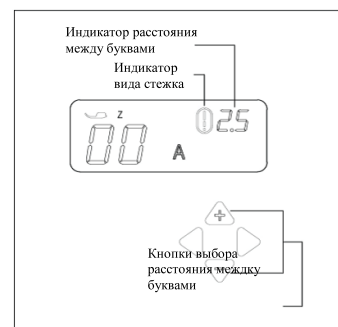
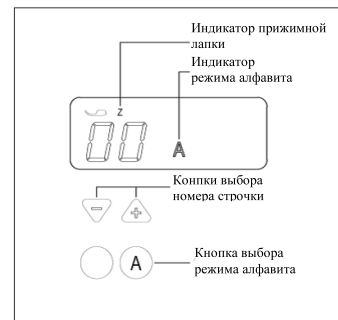
00	01	02	03	04	05	06	07	08	09	10	11	12	13	14	15	16	17	18	19	20
0	1	2	3	4	5	6	7	8	9	A	B	C	D	E	F	G	H	I	J	K
21	22	23	24	25	26	27	28	29	30	31	32	33	34	35	36	37	38	39	40	41
L	M	N	O	P	Q	R	S	T	U	V	W	X	Y	Z	a	b	c	d	e	f
42	43	44	45	46	47	48	49	50	51	52	53	54	55	56	57	58	59	60	61	62
g	h	i	j	k	l	m	n	o	p	q	r	s	t	u	v	w	x	y	z	@
63	64	65	66	67	68	69	70	71	72	73	74	75	76	77	78	79	80	81	82	83
!	?	&	□	'	"	,	.	-	.	/	:	;	Ä	Å	Æ	à	ä	å	è	é
84	85	86	87	88	89	90	91	92	93	94	95	96	97	98	99					
ê	ë	Ç	œ	ç	ì	Ñ	ñ	Ö	Ø	ò	ö	ø	Û	ù	ü					

ВЫБОР НОМЕРА АЛФАВИТА

1. Когда вы нажимаете кнопку выбора алфавита на дисплее появляется символ (A). Выбор номера буквы происходит с 00.
2. Нажмите кнопки + и – выбора строчек и номера будут уменьшаться или увеличиваться с шагом 10.

ВЫБОР НОМЕРА АЛФАВИТА

1. Швейная машина устанавливает длину стежка соответственно предустановленной длине и ширине по умолчанию.
2. Вы можете установить желаемое расстояние между буквами нажатием кнопок изменения расстояния между буквами.
3. Во время настройки расстояния между буквами индикатор рамки вида стежка пропадает с дисплея.
4. Если настроить расстояние на значение по умолчанию, то рамка вида стежка появится на индикаторе снова.
5. Машина автоматически остановится после выполнения всей последовательности выбранных по очереди букв.



3. УХОД ЗА ВАШЕЙ МАШИНОЙ

ЧИСТКА ЗОНЫ ЧЕЛНОКА И МЕХАНИЗМА ПОДАЧИ ТКАНИ ПОД ИГЛУ ШВЕЙНОЙ МАШИНЫ



Всегда отключайте швейную машину от источника электропитания, вынув вилку из розетки

Для гарантии надлежащей работы вашей швейной машины необходимо своевременно проводить чистку основных компонентов.

1. Поднимите иглу в самое высокое положение.
2. Выкрутите два винта на игольной пластине (1) и выдвиньте игольную пластину вперёд, как показано на рисунке, для того, чтобы её снять.
3. Снимите шпуледержатель с челнока (2).
4. Почистите механизм подачи ткани швейной машины и зону челнока с помощью льняной щётки. Нанесите каплю машинного масла на паз челнока, как показано на рисунке (A, B).

ПРИМЕЧАНИЕ: Используйте специальное машинное масло для смазывания швейной машины.

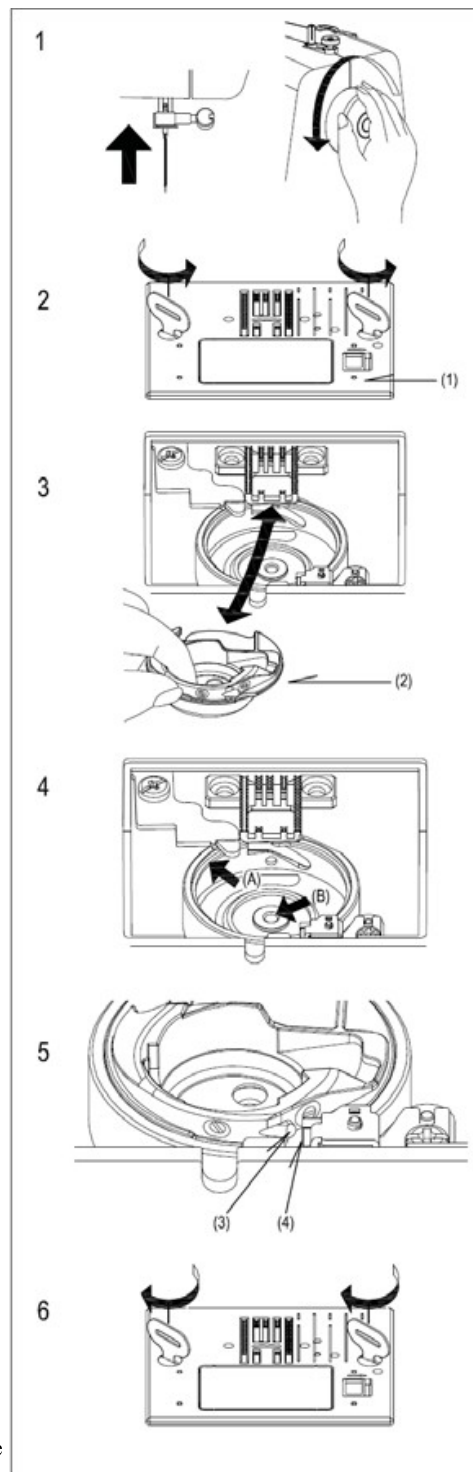
5. Установите шпуледержатель выступом (3), размещённым напротив пружины (4).

6. Убедитесь в том, что игла располагается в самом верхнем положении, установите и закрутите игольную пластину в требуемое положение, как показано на рисунке.

ЧИСТКА ШВЕЙНОЙ МАШИНЫ

После использования держите швейную машину и педаль в чистоте. Используйте сухую ветошь для удаления пыли со швейной машины и ножной педали.

ПРИМЕЧАНИЕ: Используйте сухую тряпочку во избежание удара током.



ДОПОЛНИТЕЛЬНАЯ ИНФОРМАЦИЯ

ЛАПКА ДЛЯ ВЫШИВАНИЯ ГЛАДЬЮ

Лапка для вышивания гладью имеет желобок для прохождения стежков на плотной ткани с целью удобного пропускания ткани под ней. Это особенно полезно для создания стежков для вышивания гладью и как альтернативный вариант для универсальной лапки при вышивании эластичными стежками.

Тесно расположенные зигзагообразные стежки называются стежками для вышивания гладью. Это эффектные стежки, используемые для аппликаций и коротких фигурных строчек. Слегка ослабьте натяжение верхней нити для вышивания гладью.

Во избежание образования складок используйте подкладку из шёлковой бумаги или прокладочного материала из лёгкой ткани.

ДВОЙНАЯ ИГЛА

Двойная игла создаёт два ряда параллельных стежков для мелкой складки, двойного сшивания по краю и декоративного шитья.

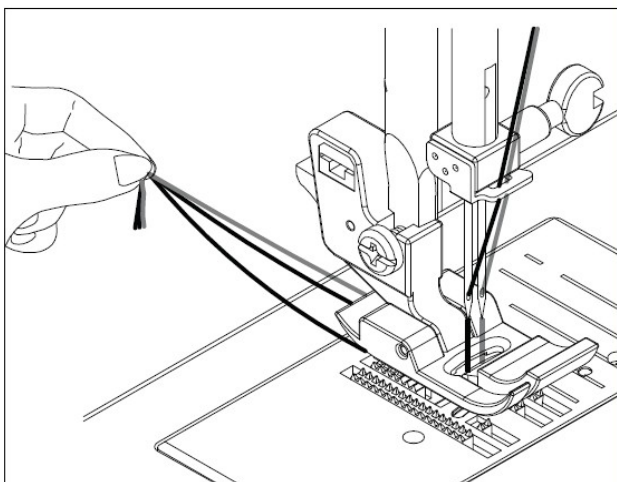
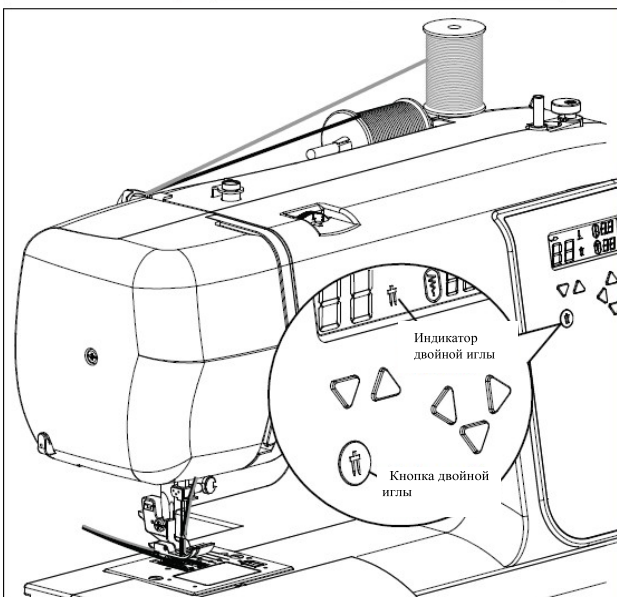
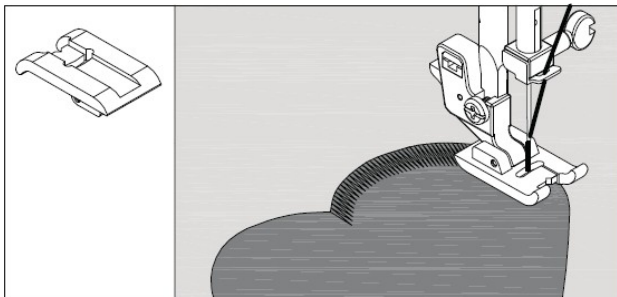
Перед установкой двойной иглы (она приобретается отдельно) убедитесь в том, что нажата кнопка выбора двойной иглы. В противном случае можно повредить машину. Настоятельно рекомендуется использовать двойную иглу с расстоянием 2 мм между иглами.

ЗАПРАВКА НИТИ В ДВОЙНУЮ ИГЛУ

1. Вставьте второй катушечный стержень. Поместите катушки на каждый катушечный стержень. Проденьте две нитки, как одну. Проденьте обе нитки в каждое игольное ушко спереди назад.

2. Намотайте нижнюю нить так же, как и для шитья одной иглой. Протяните три нитки вместе под прижимной лапкой по направлению к задней части машины, оставляя около 15 см длины нитей.

ПРИМЕЧАНИЕ: Нитевдеватель не может использоваться.

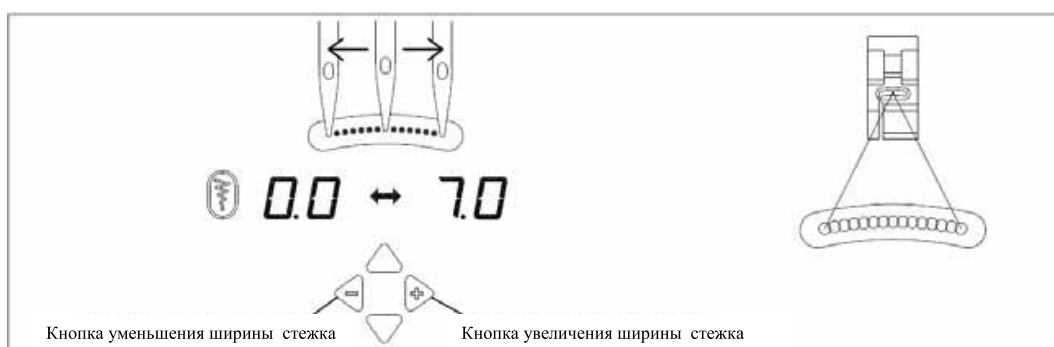


Полезные советы:

1. Во избежание поломки двойной иглы, пожалуйста, нажмите кнопку выбора двойной иглы перед выбором типа стежка.
2. После выключения машина вернётся в стандартный режим шитья.

ПОЛОЖЕНИЕ ИГЛЫ ПРИ ПРЯМОЙ СТРОЧКЕ

Положение иглы при создании прямой строчки может быть отрегулировано в 15 различных положениях кнопками контроля ширины стежка, как показано на рисунке ниже:



ВНИМАНИЕ!

МАШИНА ИЗДАЁТ ПРЕДУПРЕДИТЕЛЬНЫЙ ЗВУКОВОЙ СИГНАЛ И НА ЭКРАНЕ ДИСПЛЕЯ ПОЯВИЛСЯ КОД ОШИБКИ

PF – машина запущена, когда прижимная лапка находится в верхнем положении (опустите вниз прижимную лапку).

C – включена моталка шпульки (переведите рычаг моталки шпульки в левое положение, как показано на рис.4 стр.45).

bL – рычаг выбора выметывания петель для пуговиц находится в неправильном положении (переведите рычаг выметывания петли в правильное положение, как показано на рис. 4, стр 73.)

Fc – педаль подключена к машине, пожалуйста, пользуйтесь при шитье педалью или отключите её от машины и шейте с помощью кнопки СТАРТ/СТОП.

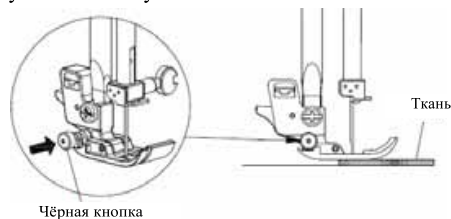
Lo - Устройство безопасности активировано. Двигатель заблокирован, потому что запуталась нить. Пожалуйста, удалите запутанную нить, а затем перезапустите машину.

СШИВАНИЕ ТОЛСТЫХ ТКАНЕЙ

1. При прохождении толстого слоя ткани опустите иглу в нижнее положение, нажав чёрную кнопку на прижимной лапке.

2. Держатель прижимной лапки зафиксирует прижимную лапку в горизонтальном положении.

3. Прошейте место и отпустите чёрную кнопку.



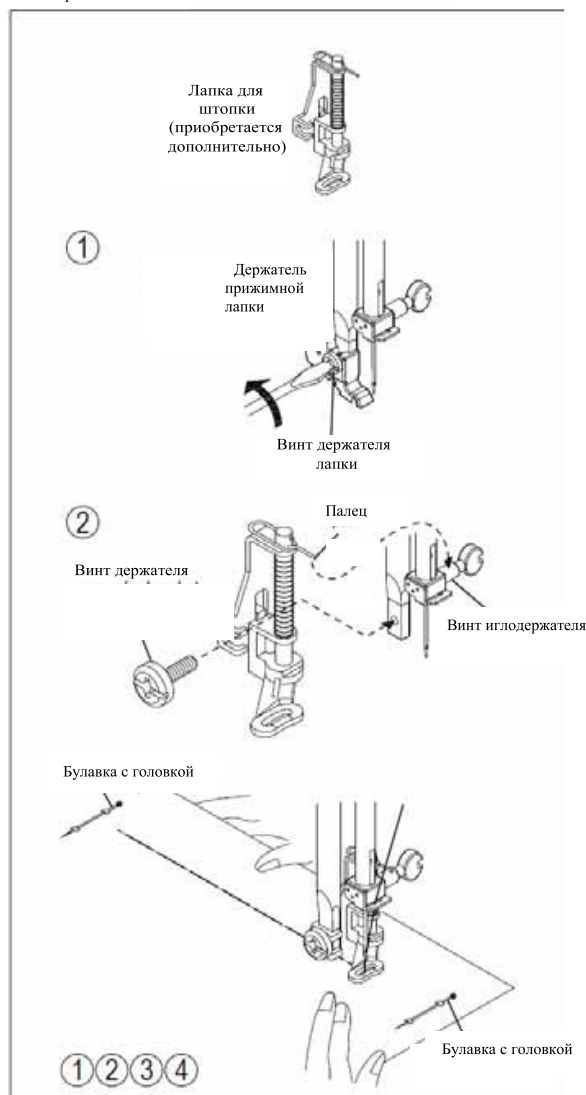
НАМЁТОЧНЫЙ СТЕЖОК

УСТАНОВКА ЛАПКИ ДЛЯ ШТОПКИ

1. Снимите держатель прижимной лапки.
2. Установите лапку для штопки (приобретается дополнительно), вставьте винт в отверстие на держателе и затяните винт. Внимание! При установке лапки для штопки палец на лапке должен быть выше, чем винт на иглодержателе.

СОЗДАНИЕ НАМЁТОЧНОГО СТЕЖКА

1. Вытяните верхнюю и нижнюю нити наружу. Далее опустите лапку для штопки (приобретается дополнительно).
2. Зафиксируйте оба конца нити с помощью булавки с головкой.
3. После создания первого стежка машина автоматически остановится. Далее вытяните ткань наружу, насколько нужно.
4. Повторите шаги 2 3. Когда сшивание закончено, вытяните нитку и ткань наружу и отрежьте лишнюю нитку.



ПОИСК И УСТРАНЕНИЕ НЕИСПРАВНОСТЕЙ

Неисправность	Возможная причина	Метод устранения	Ссылка
ОБЩИЕ НЕИСПРАВНОСТИ			
Машина не шьёт	Выключатель электропитания машины включён	Переведите выключатель во включённое положение	См. стр. 43
	Рычаг вымётывания для петли не опущен во время шитья	Опустите рычаг вымётывания петель для пуговицы	См. стр. 73
	Имеется зазор между ползунком и держателем пружины лапки для вымётывания петель	Осторожно нажмите лапку вымётывания петель для пуговицы, чтобы убрать зазор	См. стр. 73
	Наматыватель шпульки подсоединён	Отсоедините наматыватель шпульки	См. стр. 45
Машину заклинивает, стучит	Нитка застревает в челноке	Почистите челнок	См. стр. 77
		Замените иглу	См. стр. 50
Ткань не перемещается	Прижимная лапка не опущена	Опустите прижимную лапку	
	Длина стежка слишком короткая	Увеличьте длину стежка	См. стр. 57
	Штопальная плстина располагается под иглой	Снимите штопальную пластину	
Машина пропускает стежки	Игла неправильно располагается в иглодержателе	Установите правильно иглу	См. стр. 50
	Игла загнулась или затупилась	Замените иглу	См. стр. 50
	Машина неправильно шьёт	Заправьте нить повторно	См. стр. 47
	Нить зацепляется в челноке	Почистите челнок	См. стр. 77
Стежок неравномерный	Размер иглы не соответствует нити и ткани	Замените либо иглу либо нить	См. стр. 50
	Машина неправильно заправлена нитью	Перезаправьте нить	См. стр. 47
	Натяжение верхней нити ослаблено	Отрегулируйте натяжение верхней нити	См. стр. 54
	Ткань выскакивает или выталкивается из машины при подаче	Направляйте ткань осторожно	
	Шпулька намотана неравномерно	Перенамотайте шпульку	
Поломка иглы	Ткань выскакивает или выталкивается из машины при подаче	Направляйте ткань осторожно	
	Размер иглы не соответствует нити и ткани	Замените либо, либо нить	См. стр. 50
	Игла неправильно располагается в иглодержателе	Установите правильно иглу	См. стр. 50
	Кнопка выбора двойной иглы не нажата при установленной двойной игле	Нажмите кнопку выбора двойной иглы	См. стр. 78
НЕИСПРАВНОСТИ СВЯЗАННЫЕ С ИГЛОЙ			
Нить образует пучки	Верхняя и нижняя нити не продеты под прижимной лапкой перед началом шитья	Проденьте обе нити под прижимной лапкой на величину около 15 см и удерживайте пока не сформируется несколько стежков	См. стр. 62
Разрыв игольной нити	Машина неправильно заправлена нитью	Перезаправьте нить	См. стр. 47
	Слишком большое натяжение верхней нити	Отрегулируйте натяжение верхней нити	См. стр. 54
	Игла согнута	Замените иглу	См. стр. 50
	Размер иглы не соответствует нити и ткани	Замените либо иглу либо нить	См. стр. 50
Разрыв нижней нити	Шпулька намотана неравномерно	Перенамотайте шпульку	См. стр. 45
	Волокна ткани скапливаются в шпульном колпачке или на челноке	Удалите волокна ткани	См. стр. 77
Ткань собирается складками	Слишком большое натяжение верхней нити	Отрегулируйте натяжение верхней нити	См. стр. 54
	Длина стежка слишком большая для лёгкой и мягкой ткани	Уменьшите длину стежка	См. стр. 57

МЕРЫ ПРЕДОСТОРОЖНОСТИ

Перед использованием машины, пожалуйста, прочитайте это руководство.
Не используйте машину при температуре окружающей среды выше, чем 45°C или ниже чем 5°C , в помещениях с повышенной влажностью воздуха или открытом воздухе, иначе машина может работать неправильно. Во избежание образования конденсата на электронных устройствах не рекомендуется включать машину сразу с холода. Дайте ей согреться при комнатной температуре (и постоять в тепле). Не рекомендуется использовать машину при не стабильной работе электрической сети или в местах, где сильное электрическое или магнитное поле, иначе машина будет работать со сбоями. Устанавливать машину необходимо на ровную устойчивую поверхность, учитывая, чтобы машина имела достаточное расстояние от неподвижных предметов и не соприкасалась с ними. Не роняйте машину, это может привести к травмам или к повреждению машины.

ПРИ РАБОТЕ НА МАШИНЕ

Эта машина предназначена только для бытового применения.
Будьте внимательны при работе на машине, оберегайте руки от попадания в зону работы движущихся частей машины, особенно в поле работы игл. Во избежание удара током или возникновении замыкания: все кабели должны быть в хорошем состоянии и не иметь повреждений (порезов, прожогов и т.д.), не соприкасаться с влажной или агрессивной средой. Кабель питания должен иметь хороший контакт с электрической сетью. При разъединении кабеля питания от сети, не тяните за кабель.
Данное устройство не предназначено для использования людьми (в том числе детьми) с ограниченными физическими, сенсорными или умственными возможностями или не имеющими достаточных знаний и навыков, за исключением случаев, когда наблюдение за ними или их обучение проводится лицами, отвечающими за их безопасность. Следите за детьми и не допускайте, чтобы они играли с данным устройством.

При соблюдении условий эксплуатации и правил хранения швейной машины срок службы – 8 лет.

Информация о дате производства находится на коробке и задней панели швейной машины.

ПРОИЗВОДИТЕЛЬ

DAI VIET MECHANIC EXPORT JOINT STOCK COMPANY
9th km Highway No.5, Quan Toan Ward Hong Bang Dist., Haiphong City, Vietnam
ДАЙ ВЬЕТ МЕХАНИК ЭКСПОРТ ДЖОИНТ СТОК КОМПАНИ
9 км Хайвей №5 Куан Тоан Вард Хонг Банг Дист. Хаипхонг сити, Вьетнам

ИМПОРТЁР В РОССИИ: АО ПКФ «ВЕЛЛЕС»

123308, Москва, проспект Маршала Жукова, д. 2, э. 3, пом. 1, к. 19, оф. А1К

ИМПОРТЁР И СЕРВИСНЫЙ ЦЕНТР В РЕСПУБЛИКЕ БЕЛАРУСЬ: ООО «Сьютрей»,

220136, г. Минск, ул. Скрипникова, д.12, пом. 90, каб. 1

ИМПОРТЁР В УКРАИНЕ: ТОВ «ВІНД-ТРЕЙДІНГ»

04071, м. Київ, вул. Введенська, будинок 29/58, офіс 98

ДАТА ПРОИЗВОДСТВА

Информация о дате производства находится на товарной упаковке и корпусе машины

СЕРИЙНЫЙ НОМЕР

Информация о серийном номере находится на товарной упаковке и корпусе машины.
Серийный номер состоит из 8 цифр - года выпуска, номера машины см. как показано ниже.
Образец прочтения серийного номера:

1	7	0	4	7	9	4	1
(1)	(1)						
		(2)	(2)				
				(3)	(3)	(3)	(3)

(1) Год выпуска. 17 - 2017 год выпуска

(2) Месяц выпуска. 04 - месяц выпуска апрель

(3) Номер машины. 7941 -номер машины

17047941 - машина произведена в апреле 2017 году, номер машины 7941

Срок службы эксплуатации швейной машины – 8 лет.

621960007-200-01
05-2020