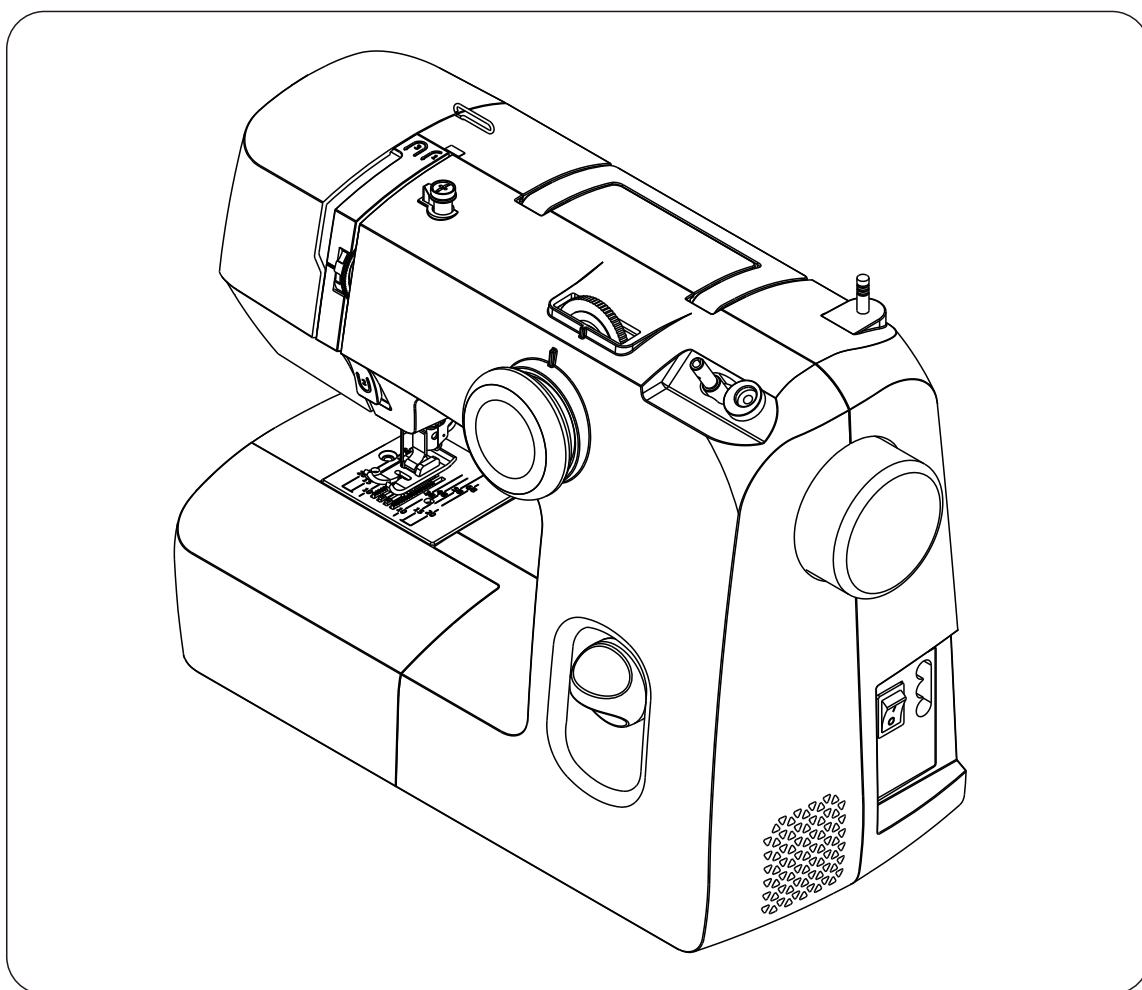


INSTRUCTION MANUAL
РУКОВОДСТВО ПО ЭКСПЛУАТАЦИИ
Household sewing machine
Бытовой швейной машины

Model: **TWIST**
Модель: **TWIST**



Leader®

EAC

CE



Important Safety Instructions

Important-Please read these instruction fully before starting assembly

When using an electrical appliance, basic safety precautions should always be followed, including the following.

Read all instructions before using this sewing machine.

DANGER--To reduce the risk of electric shock:

1. Do not allow to be used as a toy. Close attention is necessary when this sewing machine is used by or near children.
2. This appliance can be used by children aged from 8 years and above and persons with reduced physical, sensory or mental capabilities or lack of experience and knowledge if they have been given supervision or instruction concerning use of the appliance in a safe way and understand the hazards involved. Children shall not play with the appliance. Cleaning and user maintenance shall not be made by children without supervision.
3. Use this sewing machine only for its intended use as described in this manual. Use only attachments recommended by the manufacturer as contained in this manual.
4. Never operate this sewing machine if it has a damaged cord or plug, if it is not working properly, if it has been dropped or damaged, or dropped into water. Return the sewing machine to the nearest authorized dealer or service center for examination, repair, electrical or mechanical adjustment.
5. Never operate the sewing machine with any air openings blocked. Keep ventilation openings of the sewing machine and foot control free from the accumulation of lint, dust, and loose cloth.
6. Never drop or insert any object into any opening.
7. Do not use outdoors.
8. Do not operate where aerosol (spray) products are being used or where oxygen is being administered.
9. To disconnect, turn switch to the off ("O") position, then remove plug from outlet.
10. Do not unplug by pulling on cord. To unplug, grasp the plug, not the cord.
11. Keep fingers away from all moving parts. Special care is required around the sewing machine needle.
12. Never sew with a damaged needle plate as this can cause needle to break.
13. Do not use bent needles.
14. Do not pull or push fabric while stitching. It may deflect the needle causing it to break.
15. Switch the sewing machine off ("O") when making any adjustments in the needle area, such as threading needle, changing needle, threading bobbin, or changing presser foot, etc.
16. Always unplug sewing machine from the electrical outlet when removing covers, lubricating, or when making any other user servicing adjustments mentioned in the instruction manual.
17. Attention the following to avoid injury:
 - switch off or unplug the appliance when leaving it unattended;
 - unplug the appliance before carrying out maintenance.

CAUTION-- Moving parts--To reduce risk of injury, switch off before servicing. Close cover before operating machine.

SAVE THESE INSTRUCTIONS

This product is for household use, or equivalent.

This appliance complies with EMC Directive 2014/30/EU covering the electromagnetic compatibility.



Please note that on disposal, this product must be safely recycled in accordance with relevant National legislation relating to electrical/ electronic products. If in doubt please contact your retailer for guidance.

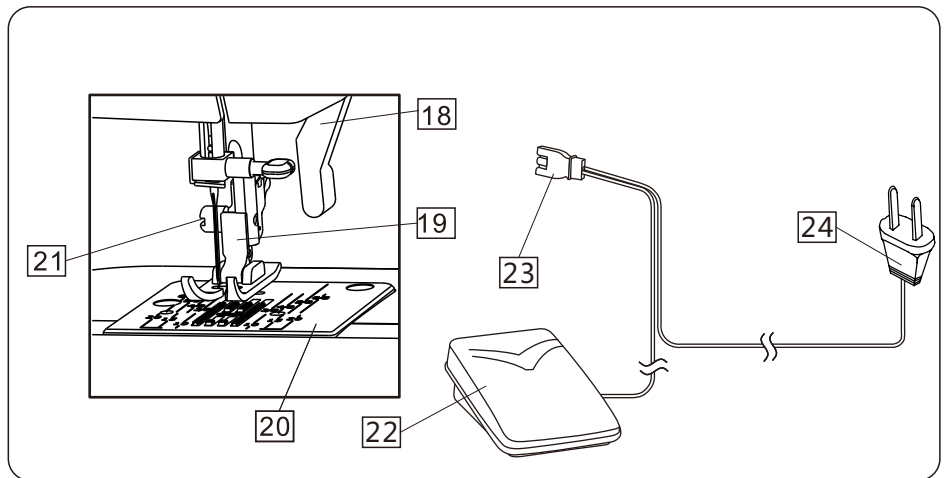
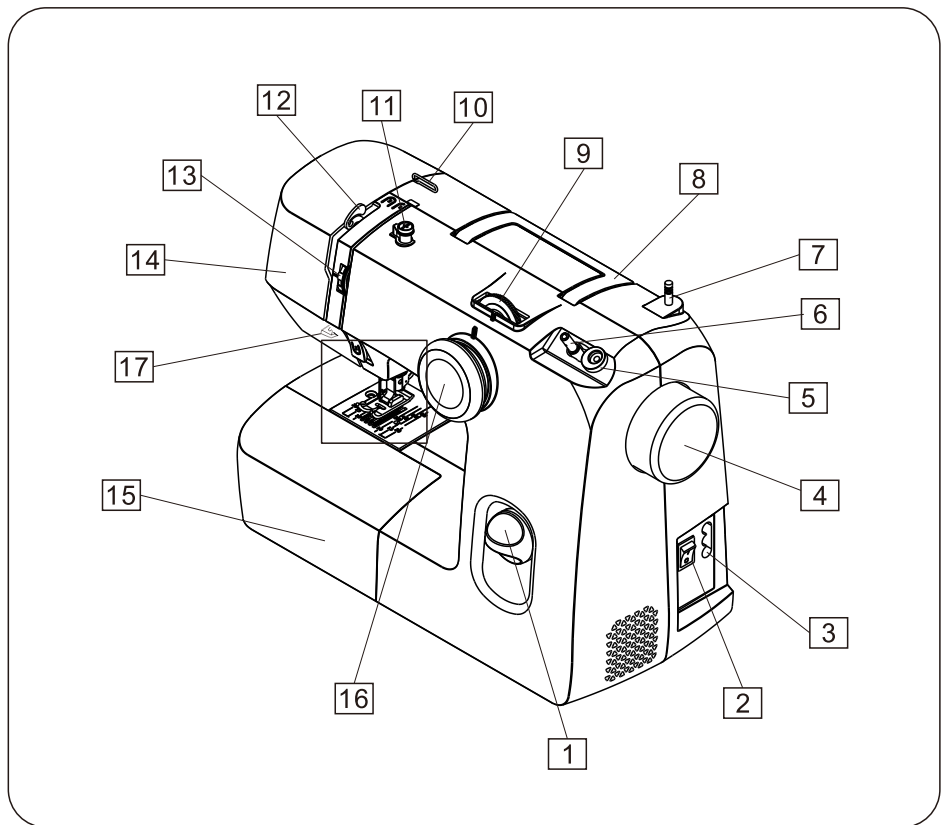
Contents

Know Your Machine	
Name of parts.....	2
Accessories.....	2
Preparing To Sew	
Connecting machine to power supply	3
Reverse sewing lever.....	3
Sewing table	4
Presser foot arm	4
Changing the presser foot	5
Changing the needle.....	6
Thread and needle chart.....	7
Stitch selector and indicator.....	7
Bobbin winding.....	8
Threading the upper thread.....	9
Threading the bobbin case.....	10
Drawing up the bobbin thread	11
Seam guide line	11
Thread tension	12
Basic Sewing	
Selecting stitch sewing.....	13
Changing sewing directions.....	14
Reverse sewing.....	14
Basic Z-stitch	15
Finish sewing	16
Utility Sewing	
Overlock stitches.....	17
Three-point Z-seam.....	18
Blind seam.....	19
Decorative stitch.....	20
Sewing buttonholes.....	21-23
Care Of Your Machine	
Cleaning shuttle race.....	24-25
Cleaning the feed dogs.....	25
Oiling the machine.....	26
Troubleshooting.....	27
Specification.....	28

Know Your Machine

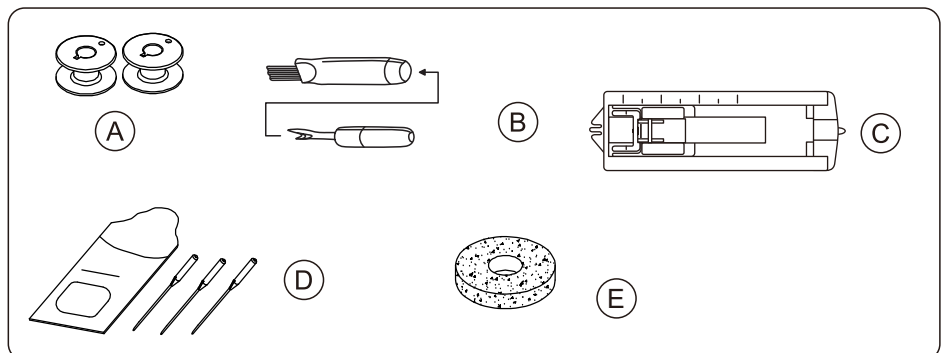
Name of parts

- 1 Reverse sewing lever
- 2 Power switch
- 3 Machine socket
- 4 Handwheel
- 5 Bobbin winder stopper
- 6 Bobbin winder spindle
- 7 Spool pins
- 8 Carry handle
- 9 Stitch length adjustor
- 10 Thread guide
- 11 Bobbin winding thread guide
- 12 Thread take-up lever
- 13 Thread tension dial
- 14 Face plate
- 15 Sewing table & accessory box
- 16 Stitch selector dial
- 17 Thread cutter
- 18 Presser foot arm
- 19 Presser foot holder
- 20 Needle plate
- 21 Blind hem guide clamp screw
- 22 Foot controller
- 23 Machine plug
- 24 Power supply plug



Accessories

- (A) Bobbin 3 pcs
- (B) Ripper/Brush
- (C) Buttonhole foot
- (D) Needle set
- (E) Felt pads



Preparing To Sew

Connecting the machine to power supply



Note:

- Please read the important safety instructions before use.
- Before connecting to the mains make sure that the rated voltage show on the rear panel matches your mains voltage supply.

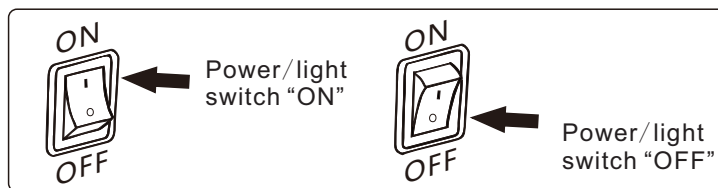
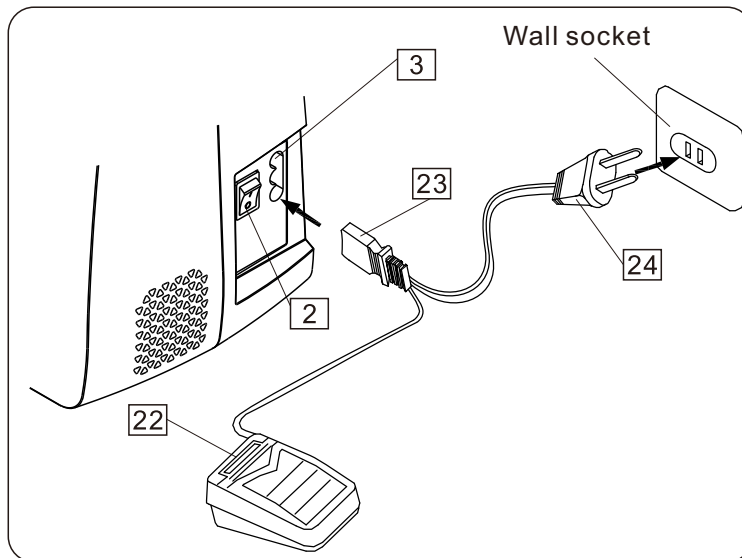
a: Turn off the Power Switch **2** .

b: Insert the Machine Plug **23** into the Machine Socket **3** .

c: Insert the Power Supply Plug **24** into the Wall socket.

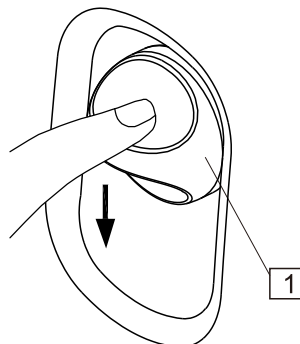
d: Turn on the Power Switch **2** to turn on the power and the sewing light will also automatically turn on.

CAUTION: Ensure your fingers are free from the needle and presser foot area and do not press the Foot Controller **22** by mistake which would automatically start the sewing machine.



Reverse sewing lever

Press Reverse Stitch Lever **1** to start reverse sewing.



Preparing To Sew

Sewing table

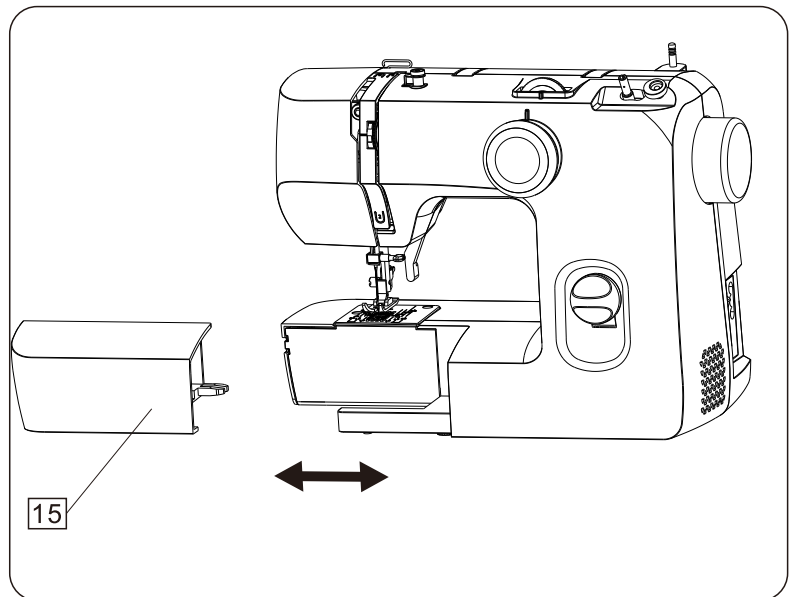
Auxiliary function

The Sewing Table **15** provides added sewing surface and can be easily removed for free arm sewing. Free-arm sewing is used when sewing tubular and hard-to-reach areas on a garment such as the hem of pant legs or sleeves.

- To remove, hold the end of the sewing table and pull away from the sewing machine.
- To replace, push the sewing table until it fits into the machine.

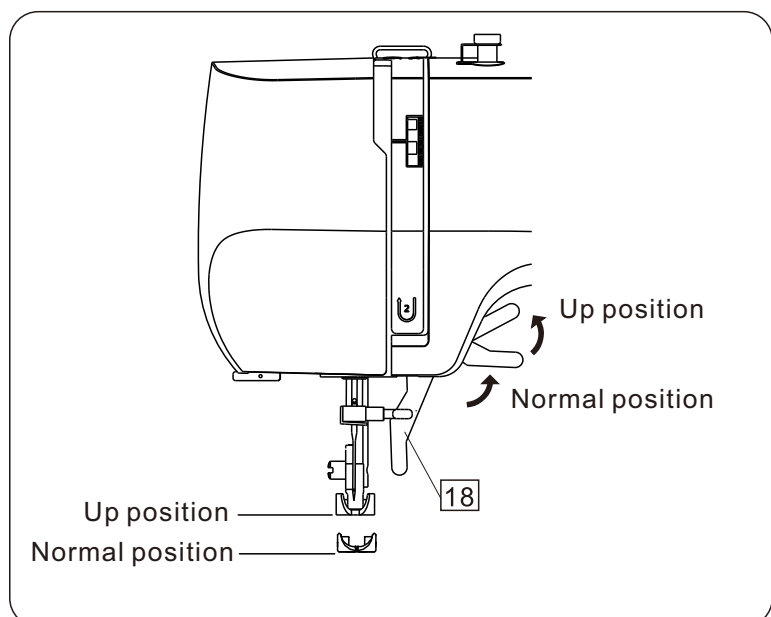
Accessory storage

Sewing accessories are conveniently stored inside the Sewing Table **15**.



Presser foot arm

The Presser Foot Arm **18** raises and lowers the presser foot.



Preparing To Sew

Changing the presser foot



Note:

Ensure the Power Switch **2** is turned off when changing the presser foot.

- 25** Needle
- 26** Presser foot
- 27** Groove
- 28** Pin

a: To remove

Turn the Hand Wheel **4** toward you to raise the Needle **25** to its highest position.

Raise the Presser foot arm **18**.

Press the Press Foot Holder **19** on the back of the foot holder. the Presser Foot **26** will release.

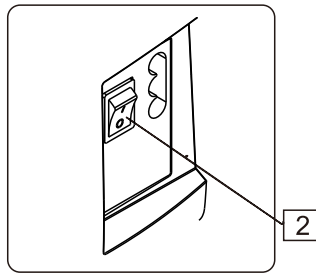
b: To attach

Place the Presser Foot **26** on the Needle Plate **20** and align the Pin **28** on the foot with the Groove **27** of the foot holder to lock the foot in place.

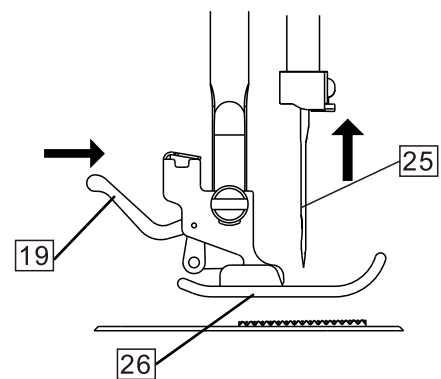
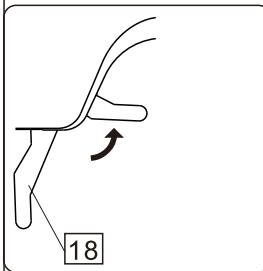
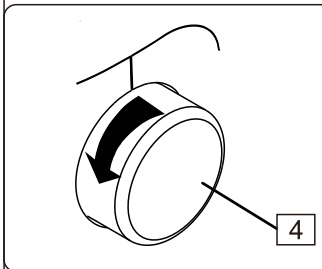


Note:

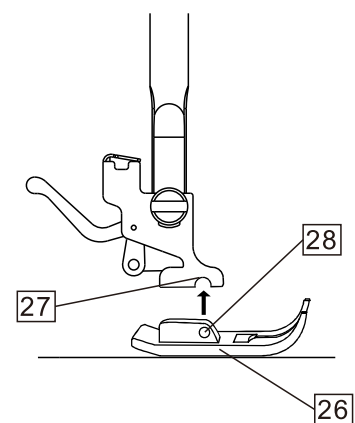
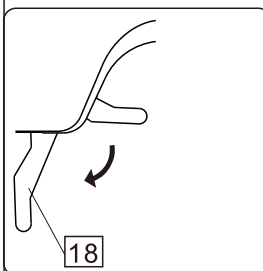
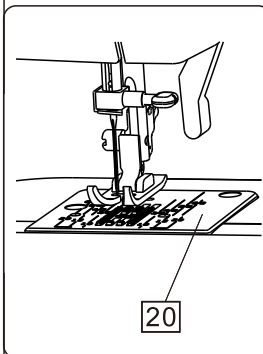
- Make sure the Presser foot **26** is secure before use.
- Make sure put down the Presser Foot Arm **18** before start sewing.



a:



b:



Preparing To Sew

Changing the needle



Note:

Ensure the Power Switch **2** is turned off when changing the needle.

- 29** Needle clamp screw
- 30** Needle clamp
- 31** Flat side

a: Raise the Needle **25** to highest position by turning the Hand Wheel **4** counterclockwise, toward you, and lowering the Presser Foot **18**.

Loosen the Needle Clamp Screw **29** by turning it counterclockwise.

Remove the Needle **25** from the Needle Clamp **30**.

Insert a new needle into the Needle Clamp **30** with the Flat Side **31** to the rear. Then tighten the Needle Clamp Screw **29**.

b: To check if a needle is bent.

Place the Flat Side **31** of the needle onto something flat (e.g. needle plate or glass). The gap between the needle and the flat surface should be consistent.

Never use a bent or blunt needle.

c: replace the needle if it is:

- Bent
- Blunt
- Point is damaged

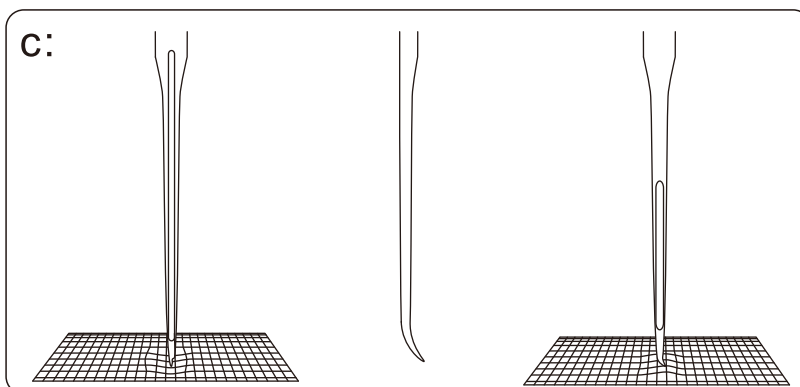
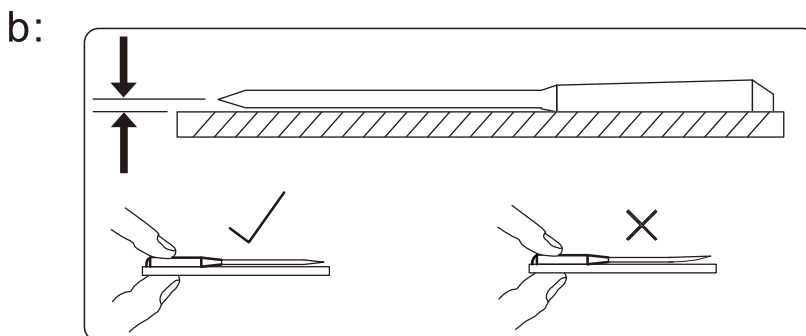
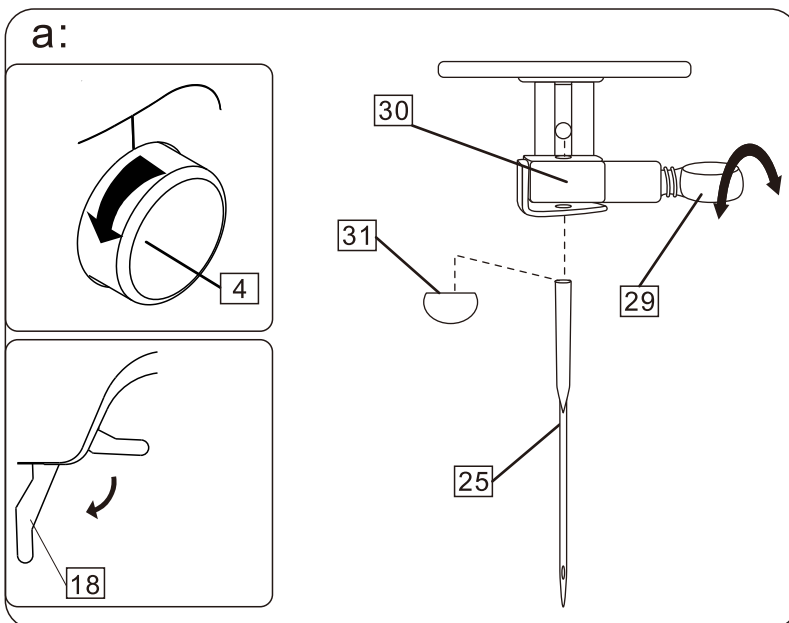
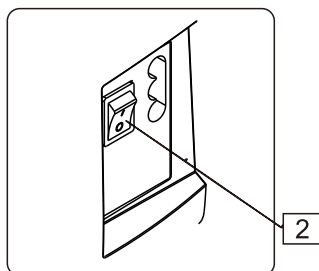


Note:

Placing a scrap of fabric under the presser foot and lowering the presser foot makes it easier to change the needle and will preclude dropping the needle into the needle plate slot.

Tighten snugly, but do not over tighten.

The needle must always be straight and sharp for smooth sewing.



Preparing To Sew

Thread and needle chart



Note:

Never use a bent or dull needle.

Using the standard needles. The size of your needle should match the size of the thread and both should match the fabric type and weight.

For normal sewing, the same size and type of thread should be used in the bobbin as on the upper part of the machine.

Fabric		Thread	Needle Size
thin fabric	silk, voile, lawn, organdie, georgette, warp fabric	80 to 100 fine silk thread 80 to 100 fine cotton thread 80 to 100 fine synthetic cotton covered polyester.	9(65) or 11(75)
medium fabric	flax, cotton goods, pique, serge, double knitting fabric, fine cotton goods	50 silk thread 50 to 80 cotton thread 50 to 80 synthetic cotton covered polyester.	11(75) or 14(90)
thick fabric	jean, drill, gaberdine, coated fabric, wool, canvas	40 silk thread 40 to 50 cotton thread 40 to 50 synthetic cotton covered polyester.	14(90) or 16(100)

Stitch selector and indicator

To select a stitch, be sure needle is out of fabric at its highest position.

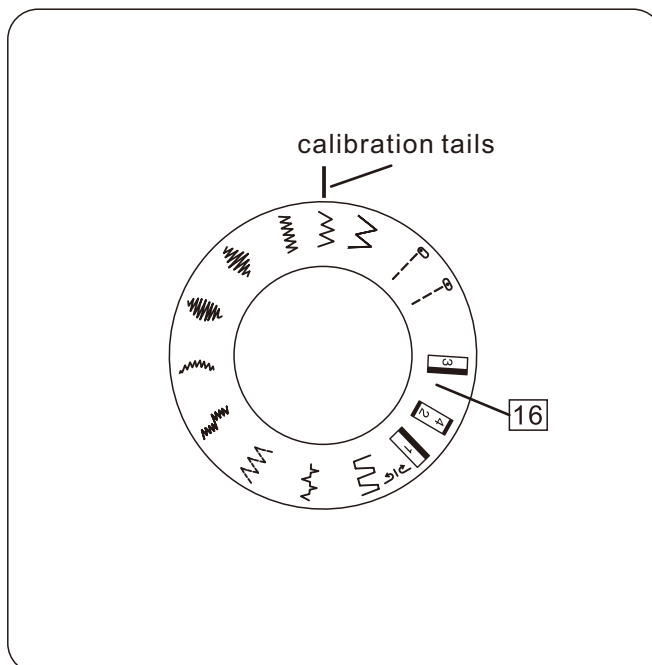
Turn the Stitch Selector dial 16 until the required stitch is indicated by symbol.



Note:

The dial can not repeat rotating 360°, Please reverse rotate in the position shown arrow.

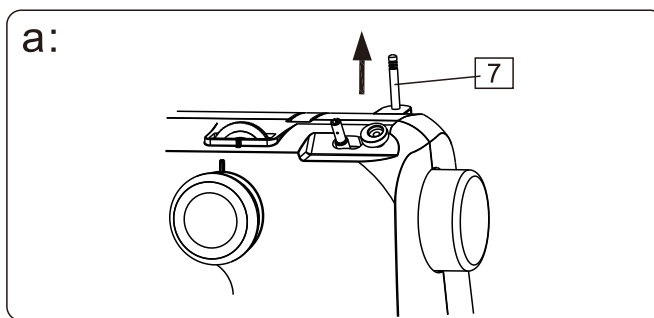
Please keep the calibration tails and the pattern on line.



Preparing To Sew

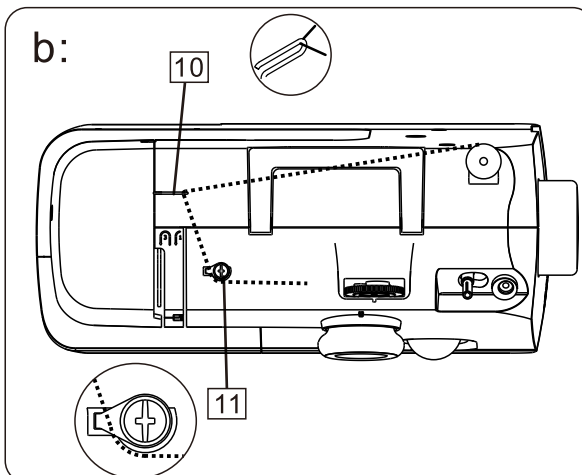
Bobbin winding

a: Spool Pin **7** is used for holding the spool of thread in order to feed the thread to the machine. To use, pull the spool pin out and place the spool of thread over it. To store, remove the spool of thread and push back.

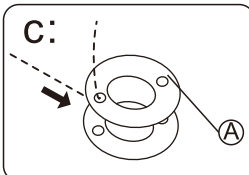


b: Place the spool of thread onto the spool pin.

Pull the thread from the spool and guide it around the Thread guide **10** and Bobbin winder Thread guide **11**.

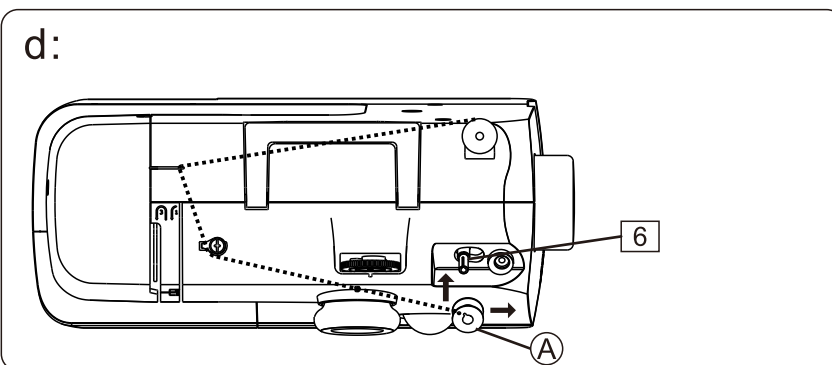


c: Insert the thread through one of the holes in the Bobbin **A** from the inside to the outside.

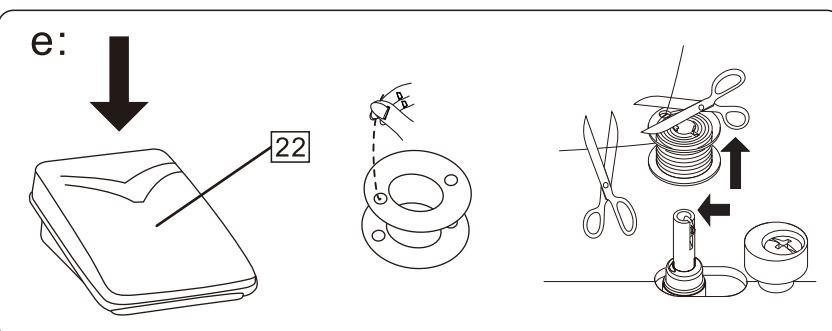


Wind the thread a few times by hand around the empty bobbin in a clockwise direction.

d: Place the Bobbin **A** on the Bobbin Winder Spindle **6** and push it the right to the bobbin winding position.



e: Turn on the power switch. Press the Foot Controller **22** gently. The bobbin will stop winding when it is full.



Note:

Do not forget to push back the Bobbin winder spindle to the left, then pull out the bobbin.

Preparing To Sew

Threading the upper thread



Caution

We recommend you remove from the mains power before completing all these procedures.

- 32** Tension area
- 33** Check spring holder
- 34** Thread guide

a: Raise the Thread Take-up Lever **12** its highest position by turning the Hand Wheel **4** towards you.

Raise the Presser Foot **18** .

b: Pull out the spool pin, and put the thread spool onto it. Carefully pull the thread from the upper spool through the Thread guide **10** .

c: Hold the end of the thread and carefully draw the thread down and up around the Check Spring Holder **33** .

d: Carefully draw the thread up and through the Thread Take-up Lever **12** threading from right to left.

e: Carefully pull the thread down and pass it into the Thread Guide **34** .

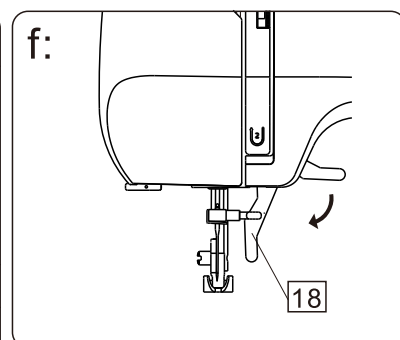
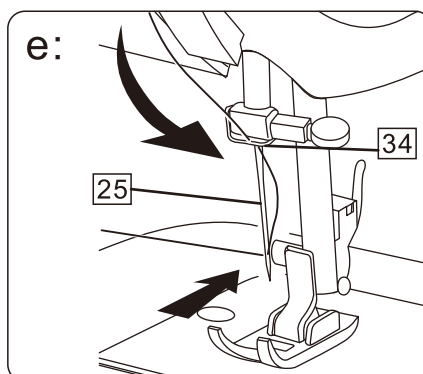
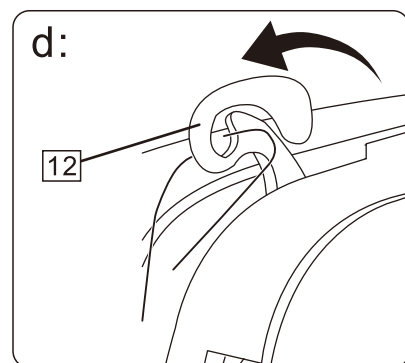
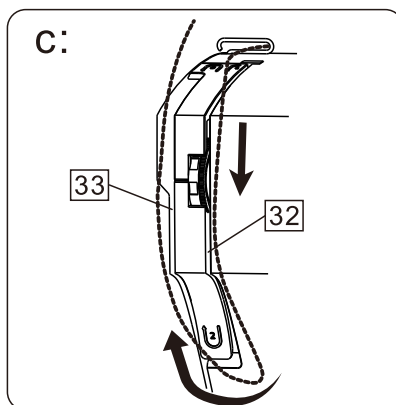
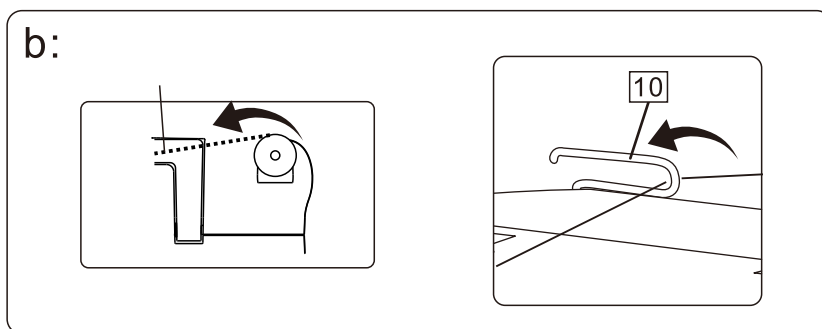
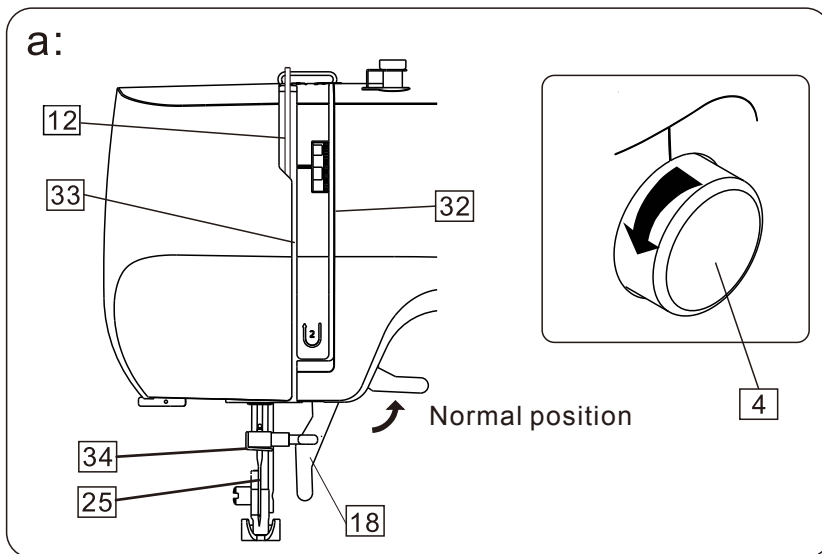
Then thread the needle front to back. Leave about 10cm (4 inches) of thread behind the needle.

f: Put down the Presser Foot Arm **18** so that you can resume sewing.



Note:

Please follow these steps carefully, if you thread the machine incorrectly it will not sew properly. Please always check the machine is threaded correctly before sewing.



Preparing To Sew

Threading the bobbin case



Caution

Ensure the Power Switch **2** is turned off when removing or inserting the bobbin case.

35 Shuttle cover

36 Bobbin case

37 Latch

38 Tension spring

a: Remove the sewing table from the machine by pulling it to the left. Open the Shuttle Cove **35** by pulling down the tab on the left of the cover.

Raise the needle to its highest position by rotating the hand wheel towards you.

b: To remove the Bobbin Case **36** from the shuttle pull back the Latch **37** on the bobbin case and pull straight out of the shuttle.

c: Place a Bobbin **A** in the Bobbin Case **36**, making sure the thread feeds clockwise from the bobbin.

d: Draw the thread through the slot in the case. Continue to draw the thread under the Tension Spring **38** and through the opening. Pull out about 4" (10cm) of thread.

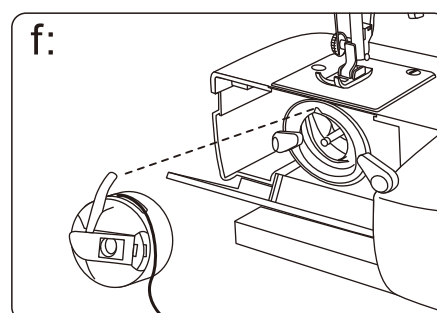
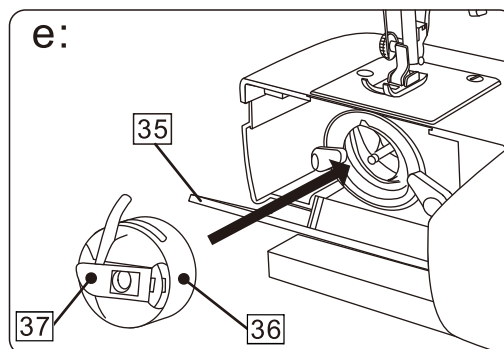
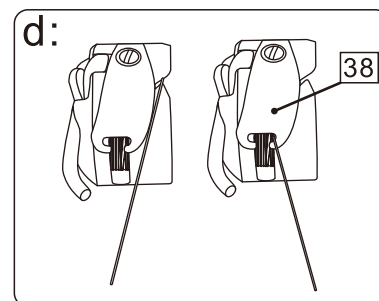
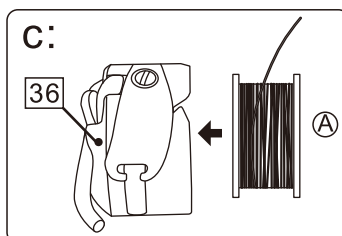
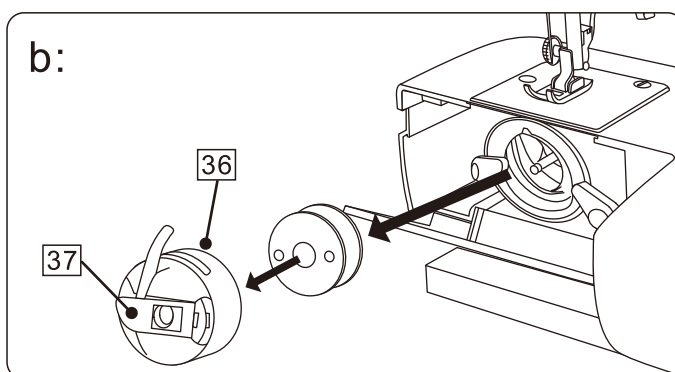
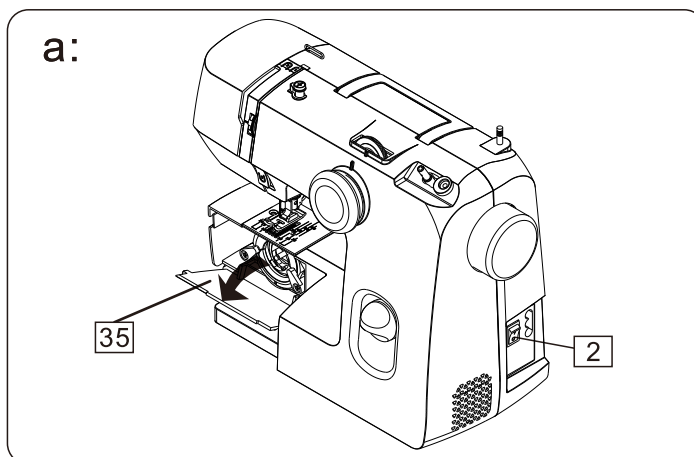
e: Raise the needle by turning the hand wheel towards you. Open the Shuttle Cover **35**. Hold the Bobbin Case **36** by the hinged Latch **37**. Insert the bobbin case fully into the shuttle race and release the latch.

f: Make sure that the latch located into the notch at top of the shuttle, closed the Shuttle Cover **35**.



Note:

When you insert the bobbin case. You must push the bobbin case as far as it goes, and you can hear the "Click".



Preparing To Sew

Drawing up the bobbin thread



Note:

- Make sure you have correctly completed step 9 before starting this step.
- Must rotate the hand wheel **4** anticlockwise, toward you. Otherwise you can not draw the bobbin thread.

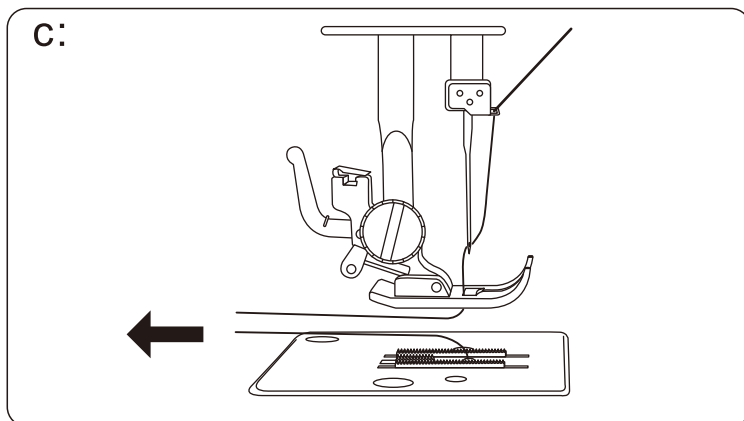
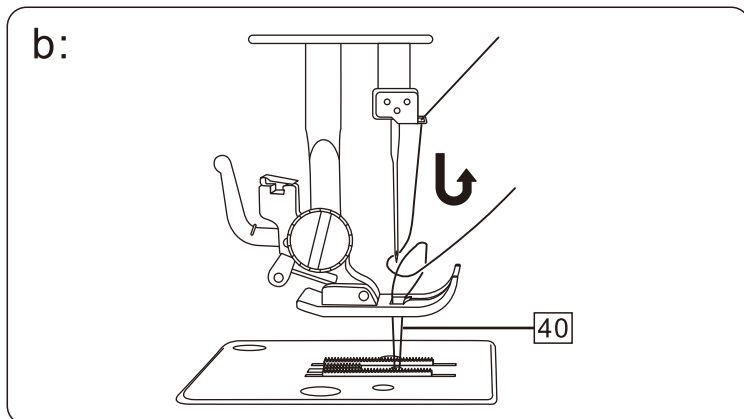
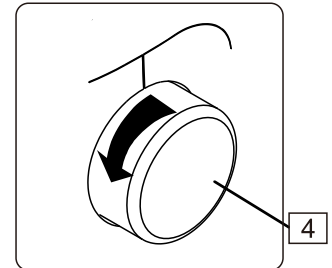
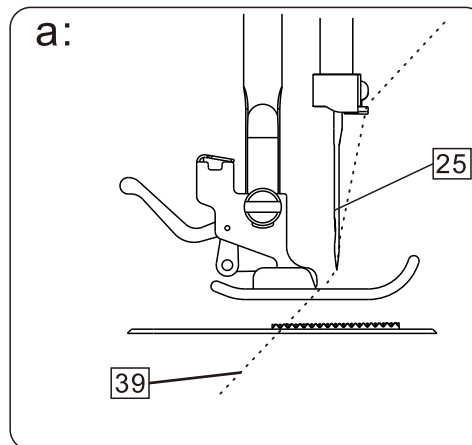
39 Needle thread

40 Bobbin thread

a: Raise the presser foot. Hold the Needle thread **39** lightly with your left hand and rotate the hand wheel anticlockwise, toward you, for one complete turn.

b: Bring the Bobbin Thread **40** up by pulling the needle thread.

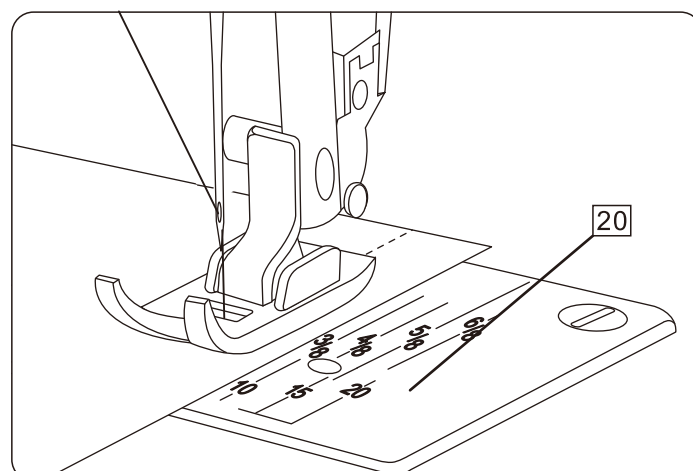
c: Pull both thread 6" (15cm) under and behind the presser foot.



Seam guide line

The number on the Needle Plate **20** indicate the distance between the center needle position and seam guide line.

The number in the front of the needle plate are in millimeters and the ones in the back are in inches.



Preparing To Sew

Thread tension



Note:

The bobbin thread tension has been adjusted at the factory and readjustment is not usually required.

In order to obtain better zigzag stitches, the upper thread tension should be slightly weaker than the bobbin thread tension. That means, the upper thread should appear slightly on the reverse side of the fabric, but the bobbin thread cannot appear on the top side of the fabric.

Lower thread tension:

a: To set the bobbin thread tension, remove the bobbin case with the bobbin from the machine and hold the bobbin case suspended by the thread.

Shake it once or twice.

If the tension is correct, the thread will unwind by about an inch or two.

If the tension is too tight, it will not unwind. If the tension is too loose, the thread will unwind more than two inches.

b: To adjust the tension, turn the small screw on the side of the bobbin case.

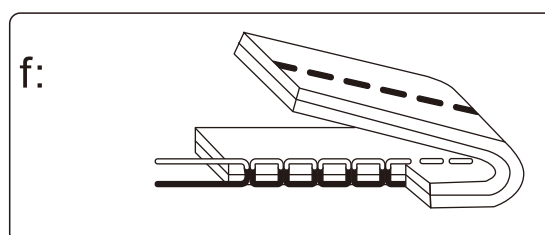
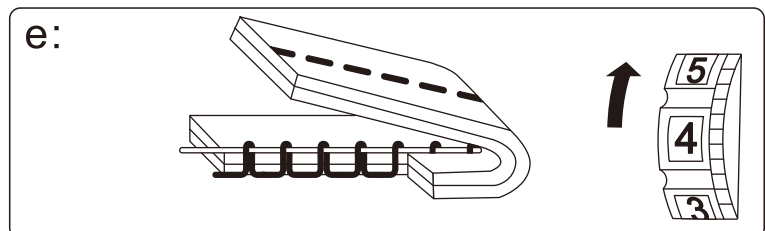
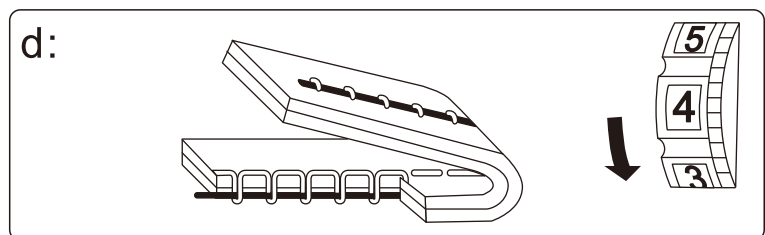
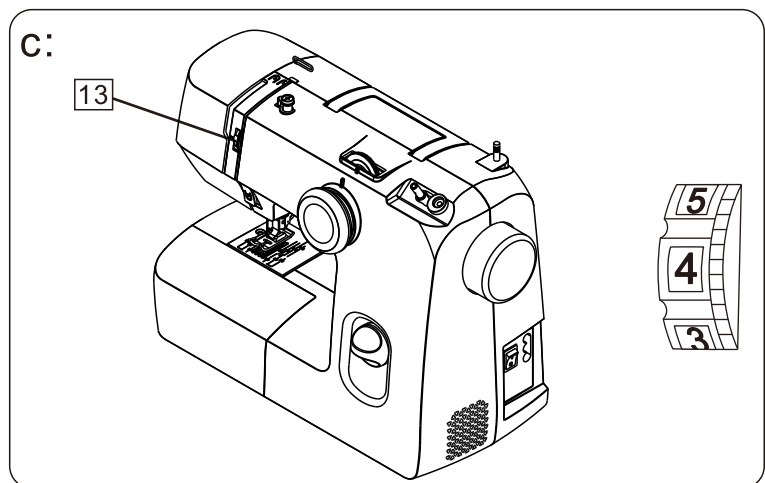
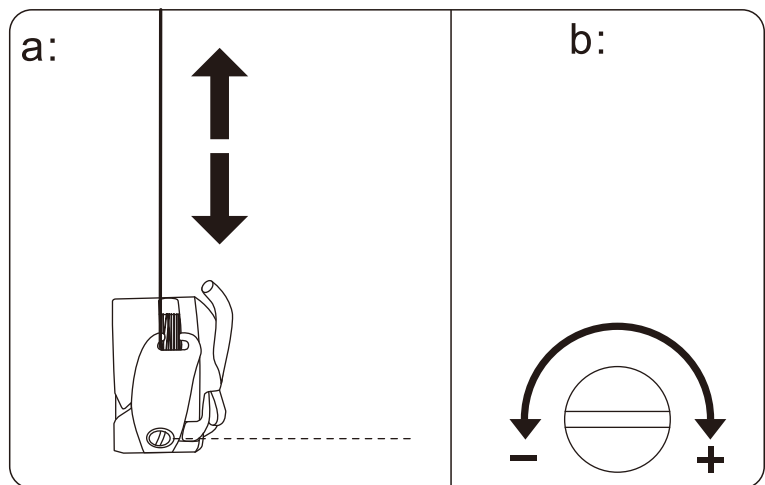
Upper thread tension:

c: Turn Thread Tension **13** to adjust the tension. Standard thread tension setting is "3-4".

d: To increase the tension, turn the dial up to a higher number.

e: To decrease the tension, turn the dial to a lower number.

f: Normal thread tension.



Basic Sewing

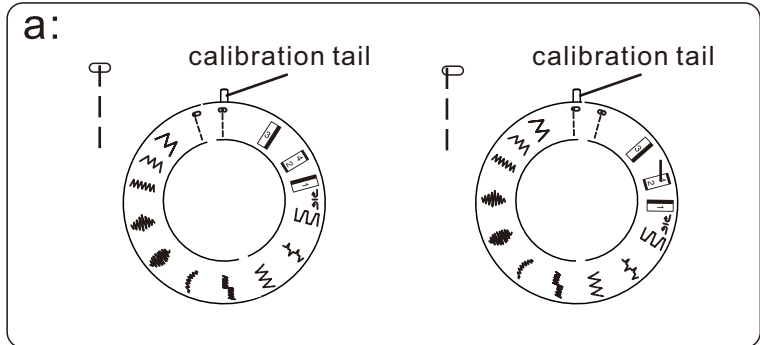
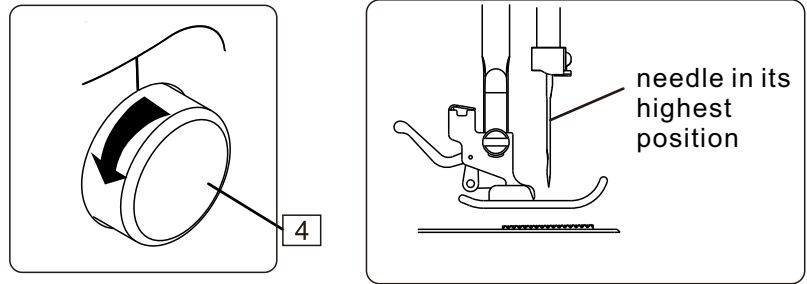


Note:

The dial can not repeat rotating 360°, Please reverse rotate from the arrow position arrow.

Turn the Hand Wheel 4 anti-clockwise to ensure the needle is higher than needle plate and fabric (keep the needle in its highest position) before rotating the stitch selector or after sewing. Otherwise the needle will be bent.

When selecting a pattern, please keep the pattern on knob aligned with the calibration tail.



Selecting stitch sewing

- a. Stitch selector dial: “ ” or “ ”
- b. Thread tension dial: 2-6
- c. Presser foot: zigzag presser
- d. Stitch length adjustor: 0-3.6

Lift the presser foot and align the fabric with the guide on needle plate. Pull the needle thread and the bobbin thread to back and lower the presser foot. Slowly press the foot controller and start sewing along the guide.

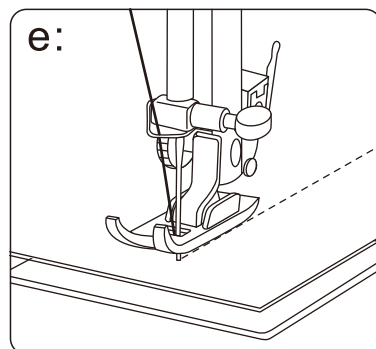
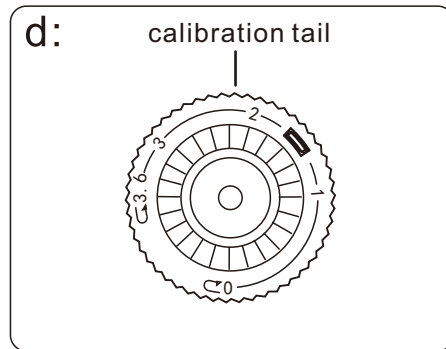
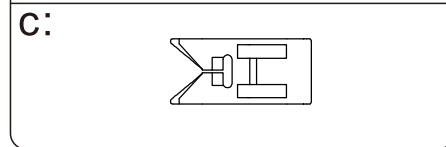
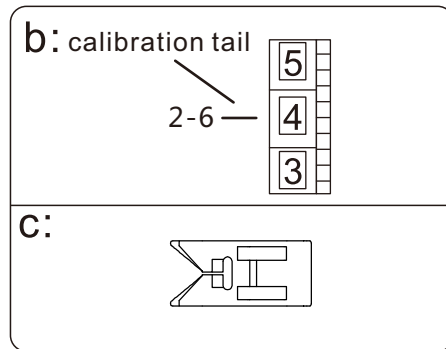
Stitches (Pic. e)



Note:

You can select the suitable stitch length for most fabric.

The higher the number, the longer the stitch length.



Basic Sewing



Note:

The dial can not repeat rotating 360°, Please reverse rotate from the arrow position arrow.

Turn the Hand Wheel **4** anti-clockwise to ensure the needle is higher than needle plate and fabric (keep the needle in its highest position) before rotating the stitch selector or after sewing. Otherwise the needle will be bent.

When selecting a pattern, please keep the pattern on knob aligned with the calibration tail.

Changing sewing directions

Stop the machine at the point where you wish to change directions with the needle still in the fabric.

Raise the presser foot and turn the fabric to line up to its new direction using the needle as a turning point.

Lower the presser foot and continue sewing in the new direction.

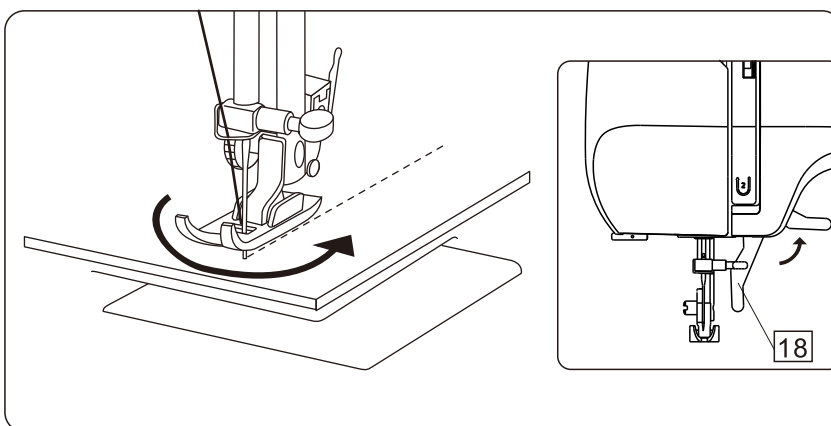
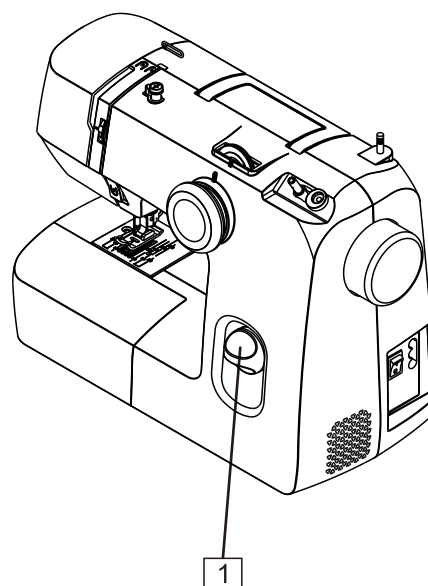
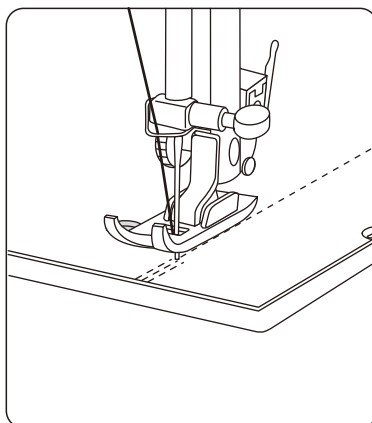
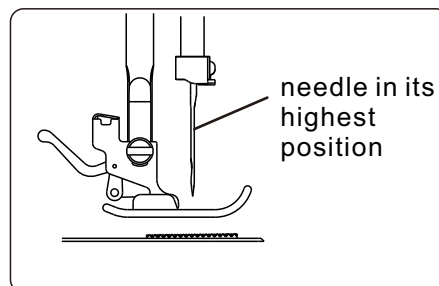
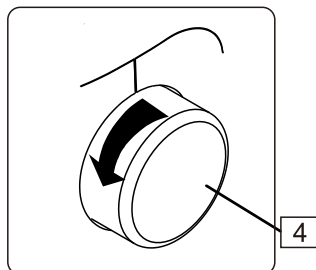
Reverse sewing

Reverse sewing is used for locking the end of seams and where reinforcement is need.

At the end of a seam, press down on the Reverse sewing lever **1** and touch the foot controller lightly.

Sew a few reverse stitches.

Release the reverse sewing lever and the machine will sew forward again.



Basic Sewing

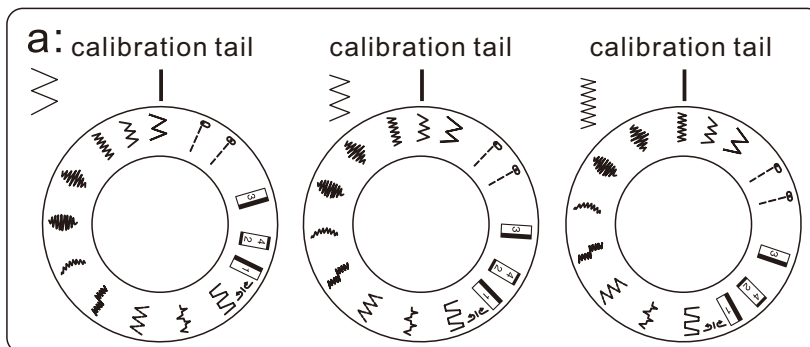
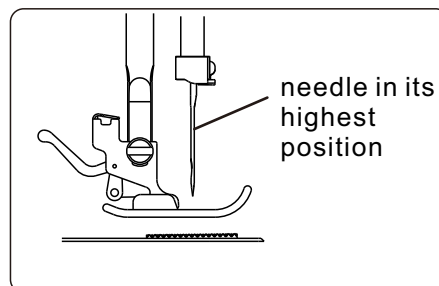
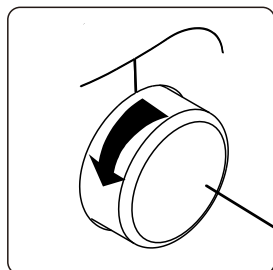


Note:

The dial can not repeat rotating 360°, Please reverse rotate from the arrow position arrow.

Turn the Hand Wheel **4** anti-clockwise to ensure the needle is higher than needle plate and fabric (keep the needle in its highest position) before rotating the stitch selector or after sewing. Otherwise the needle will be bent.

When selecting a pattern, please keep the pattern on knob aligned with the calibration tail.



Basic Z-stitch

Simple zigzag sewing is widely used for overcasting or sewing on button, etc.

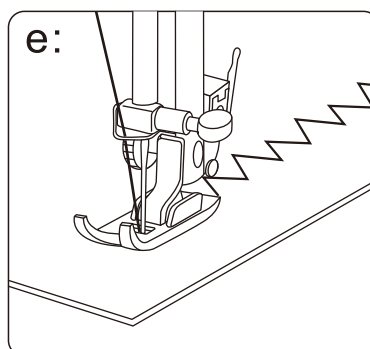
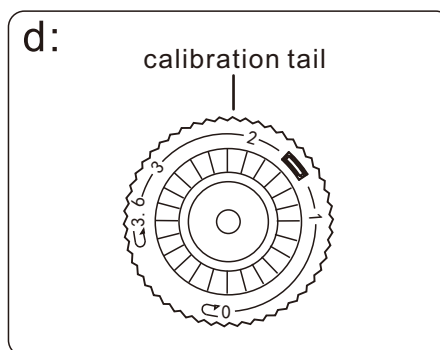
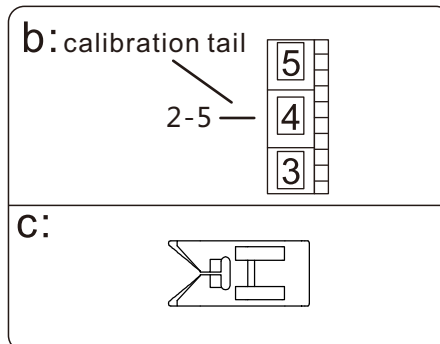
a. Stitch selector dial: “” “” or “”

b. Thread tension dial: 2-5

c. Presser foot: zigzag presser

d. Stitch length adjustor: 0-3.6

Stitches (Pic. e)



Note:

You can select the suitable stitch length for most fabric.

The higher the number, the longer the stitch length.

Basic Sewing



Note:

The dial can not repeat rotating 360°, Please reverse rotate from the arrow position arrow.

Turn the Hand Wheel **4** anti-clockwise to ensure the needle is higher than needle plate and fabric (keep the needle in its highest position) before rotating the stitch selector or after sewing. Otherwise the needle will be bent.

When selecting a pattern, please keep the pattern on knob aligned with the calibration tail.

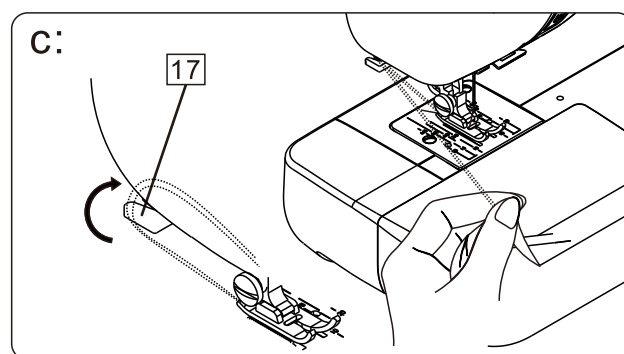
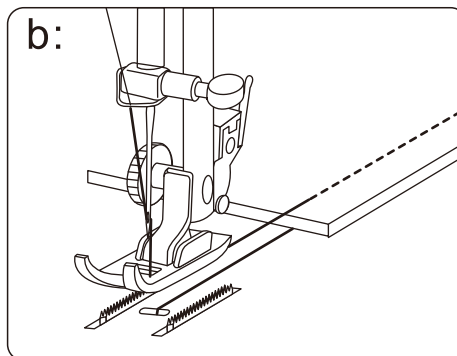
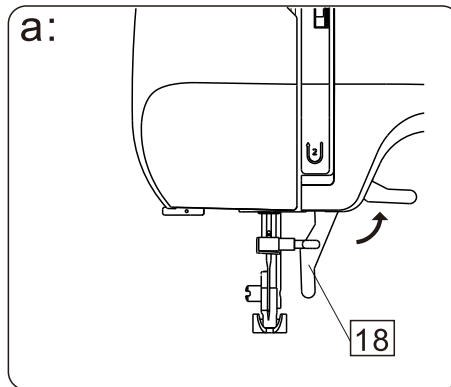
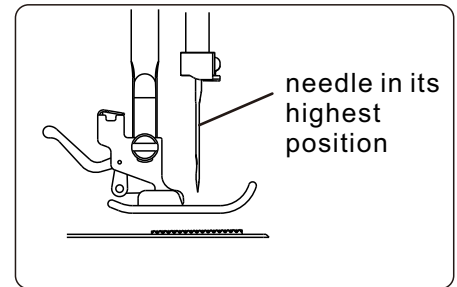
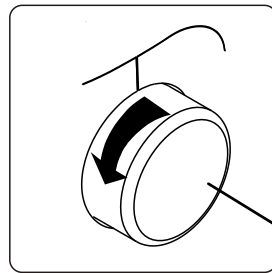
Finish sewing

Rotate the Hand Wheel **4** anticlockwise (toward you) to bring the thread take up lever to its highest position.

Raise the presser foot and draw the fabric away from you.

Hold the threads behind the presser foot with both hands.

Guide them through the slit in the Thread Cutter **17** and press down.



Utility Sewing



Note:

The dial can not repeat rotating 360°, Please reverse rotate from the arrow position arrow.

Turn the Hand Wheel 4 anti-clockwise to ensure the needle is higher than needle plate and fabric (keep the needle in its highest position) before rotating the stitch selector or after sewing. Otherwise the needle will be bent.

When selecting a pattern, please keep the pattern on knob aligned with the calibration tail.

Overlock stitches

- a. Stitch selector dial: "zigzag"
- b. Thread tension dial: 1-4
- c. Presser foot: zigzag presser
- d. Stitch length adjustor: 0-3.6

Stitches (Pic. e)

Overlock stitches are used for seams or neatening visible hems.

All overlock stitches are suitable for sewing and neatening edges and visible seams in one operation.

When neatening, the needle should just go over the edge of the fabric.

The stretch overlock stitch is used for fine knits, jerseys, neck edges or ribbing.

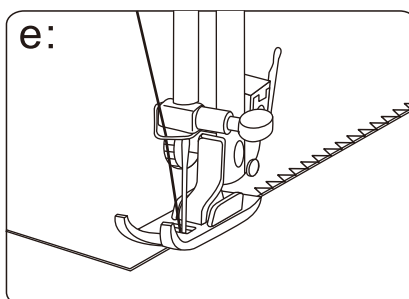
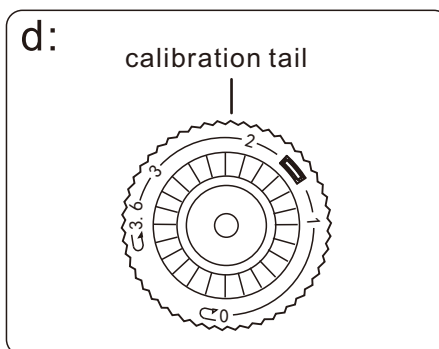
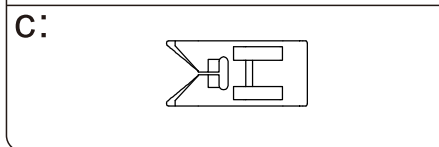
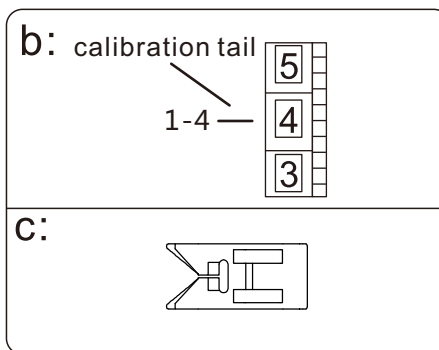
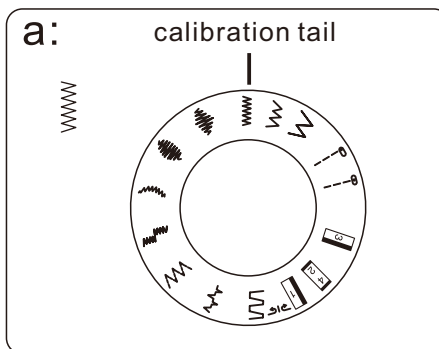
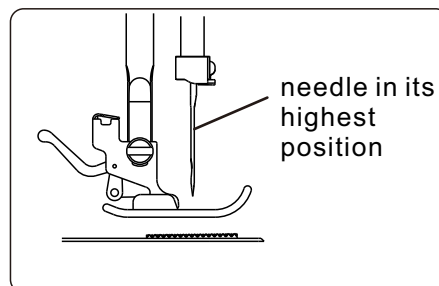
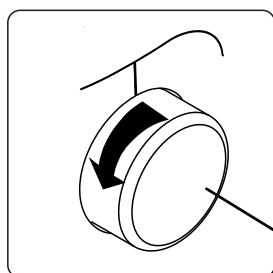
The double overlock stitch is used for fine knits, hand knits and seams.



Note:

You can select the suitable stitch length for most fabric.

The higher the number, the longer the stitch length.



Utility Sewing



Note:

The dial can not repeat rotating 360°, Please reverse rotate from the arrow position arrow.

Turn the Hand Wheel 4 anti-clockwise to ensure the needle is higher than needle plate and fabric (keep the needle in its highest position) before rotating the stitch selector or after sewing. Otherwise the needle will be bent.

When selecting a pattern, please keep the pattern on knob aligned with the calibration tail.

Three-point Z-seam

- a. Stitch selector dial: “”
- b. Thread tension dial: 1-4
- c. Presser foot: zigzag presser
- d. Stitch length adjustor: 0-3.6

Use this stitch for sewing a raw edge fo crease sensitive fabric or synthetic elastic fabric such as rayon. Leave sufficient allowance at the edge and after sewing cut the hem as show.

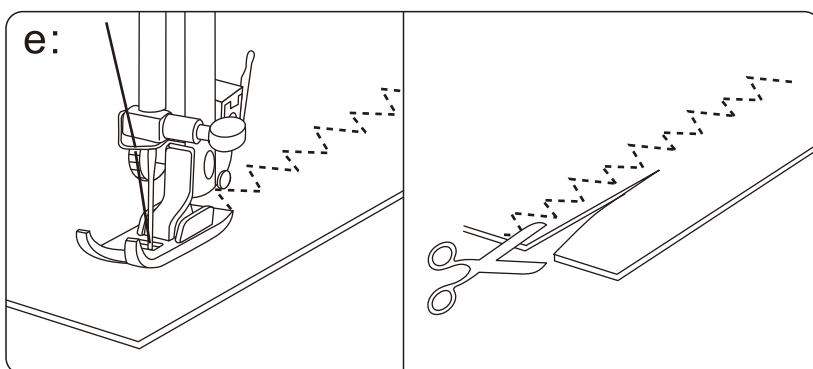
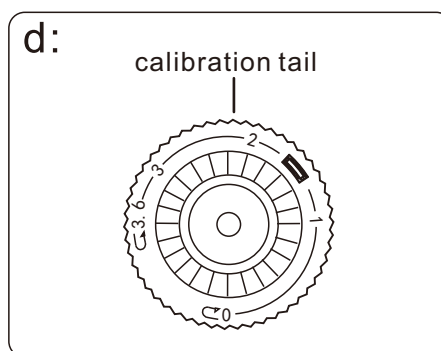
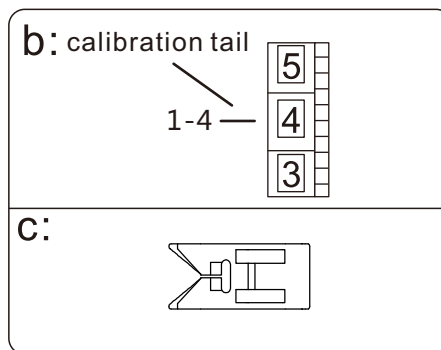
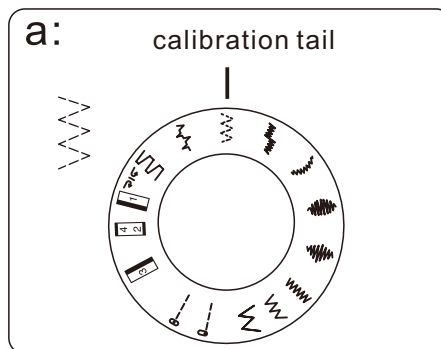
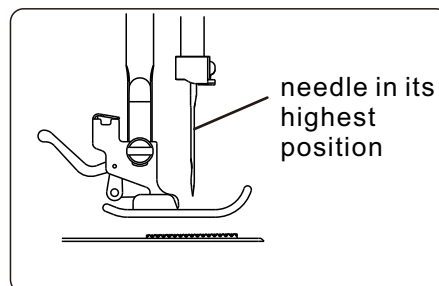
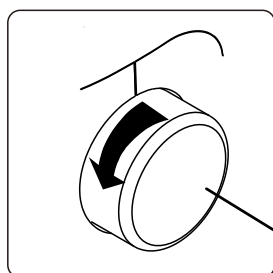
Stitches (Pic. e)



Note:

You can select the suitable stitch length for most fabric. The higher the number, the longer the stitch length.

When cutting take care not to cut the stitches.



Utility Sewing



Note:

The dial can not repeat rotating 360°, Please reverse rotate from the arrow position arrow.

Turn the Hand Wheel **4** anti-clockwise to ensure the needle is higher than needle plate and fabric (keep the needle in its highest position) before rotating the stitch selector or after sewing. Otherwise the needle will be bent.

When selecting a pattern, please keep the pattern on knob aligned with the calibration tail.

Blind seam

- a. Stitch selector dial: “” or “”.
- b. Thread tension dial: 1-4
- c. Presser foot: zigzag presser
- d. Stitch length adjustor: 0-3.6

For loose or thick fabric you can overlock the raw edge, fold the fabric and leave approx 1cm hem.

When sewing allow the needle to just pass through the fold of the fabric.

After sewing press the fabric to make the blind stitch visible on its face side.

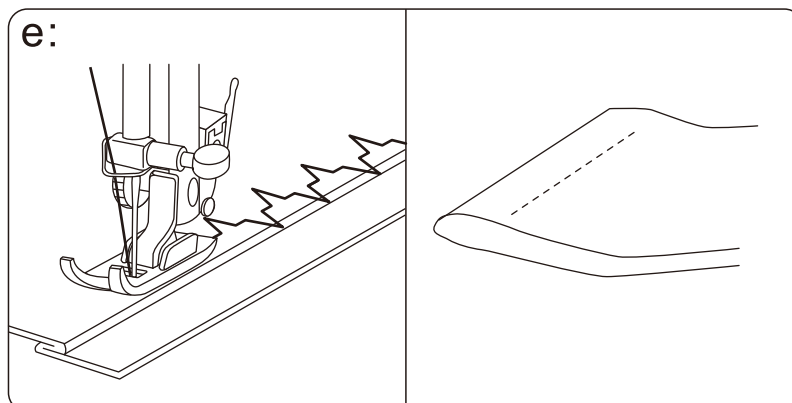
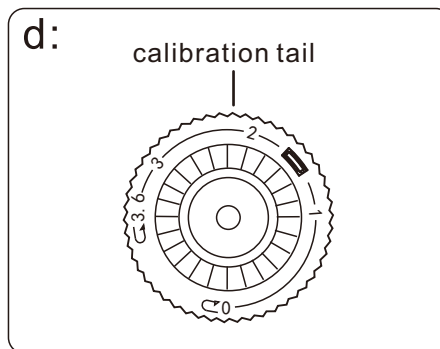
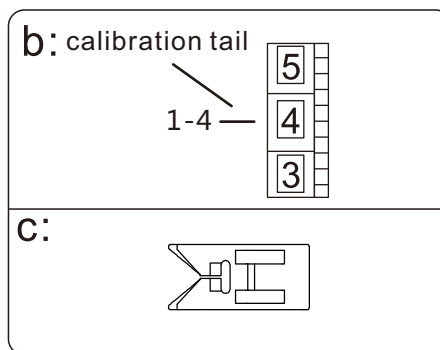
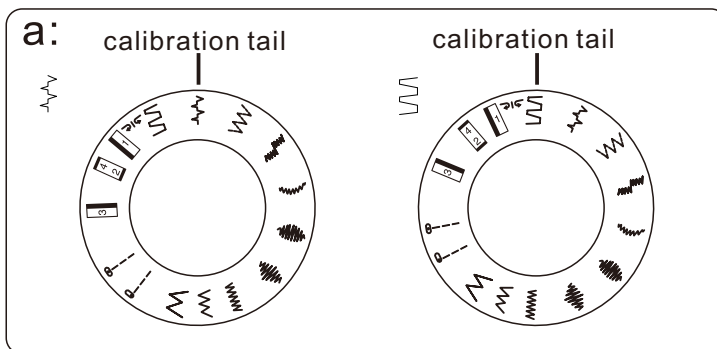
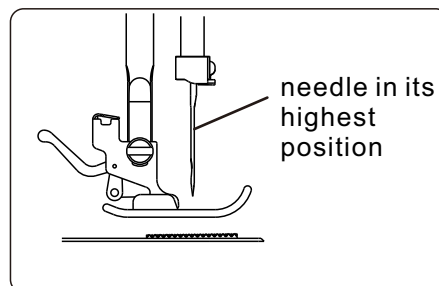
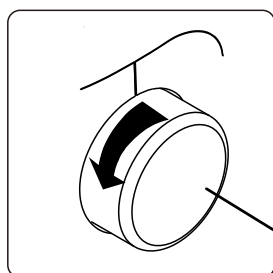
Stitches select (Pic. e)



Note:

You can select the suitable stitch length for most fabric.

The higher the number, the longer the stitch length.



Utility Sewing

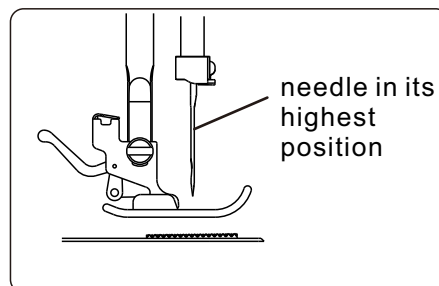
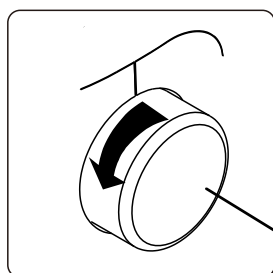


Note:

The dial can not repeat rotating 360°, Please reverse rotate from the arrow position arrow.

Turn the Hand Wheel 4 anti-clockwise to ensure the needle is higher than needle plate and fabric (keep the needle in its highest position) before rotating the stitch selector or after sewing. Otherwise the needle will be bent.

When selecting a pattern, please keep the pattern on knob aligned with the calibration tail.



Decorative stitch

- a. Stitch selector dial: “” “” “” or “”.
- b. Thread tension dial: 6-8
- c. Presser foot: zigzag presser
- d. Stitch length adjustor: 0-3.6

Adjust the thread tension so that the upper thread appears on the reverse side of the fabric.

Test on a scrap piece of fabric first to get the best results.

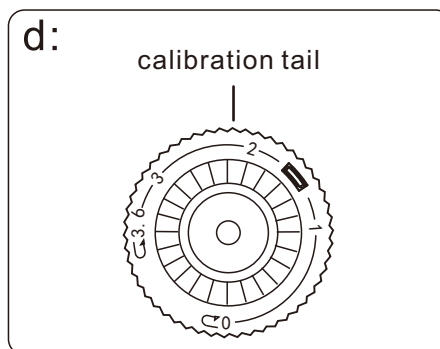
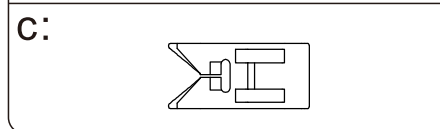
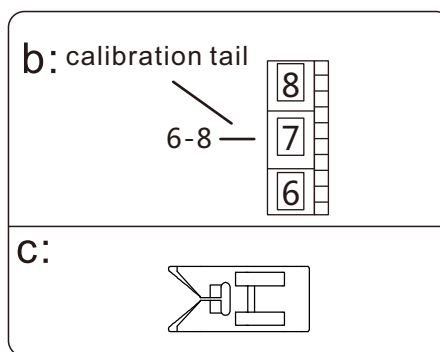
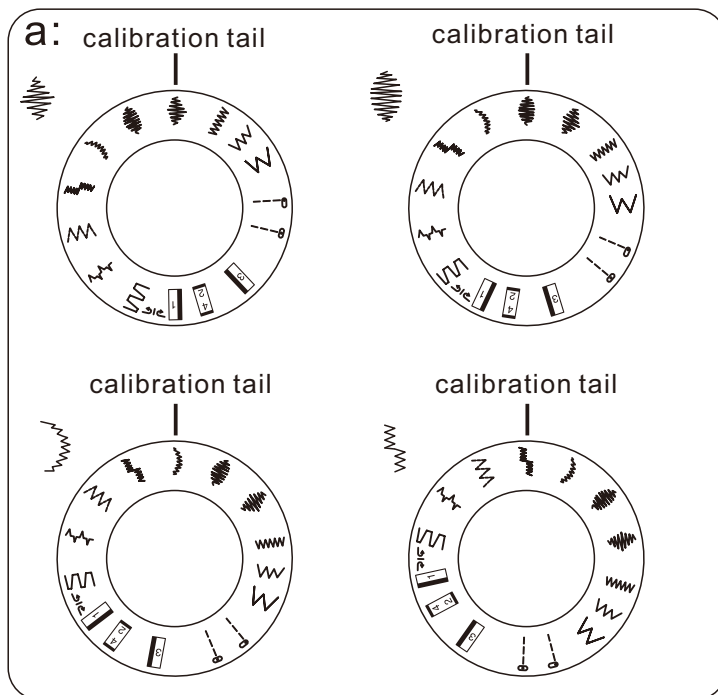
When sewing very thin fabrics, it is recommended that you use interfacing on the backside of the fabric.



Note:

You can select the suitable stitch length for most fabric.

The higher the number, the longer the stitch length.



Utility Sewing



Note:

The dial can not repeat rotating 360°, Please reverse rotate from the arrow position arrow.

Turn the Hand Wheel **4** anti-clockwise to ensure the needle is higher than needle plate and fabric (keep the needle in its highest position) before rotating the stitch selector or after sewing. Otherwise the needle will be bent.

When selecting a pattern, please keep the pattern on knob aligned with the calibration tail.

Sewing buttonholes

1. Stitch selector dial: “1” “2” or “3”
2. Thread tension dial: 1-5
3. Presser foot: Buttonhole foot
4. Stitch length adjuster:

a: Raise the presser foot and press on the Presser Foot Holder **19** to release the Presser Foot **26**. Attach the Buttonhole foot **C**. Adjust the thread tension dial to 1-5.

Length Dial **9** can be adjusted between .

b: Position the fabric so that the needle is on the mark that is furthest from you.

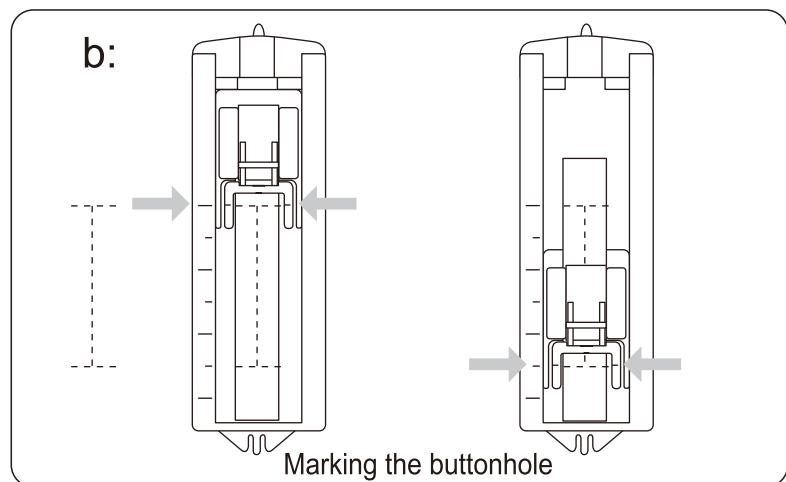
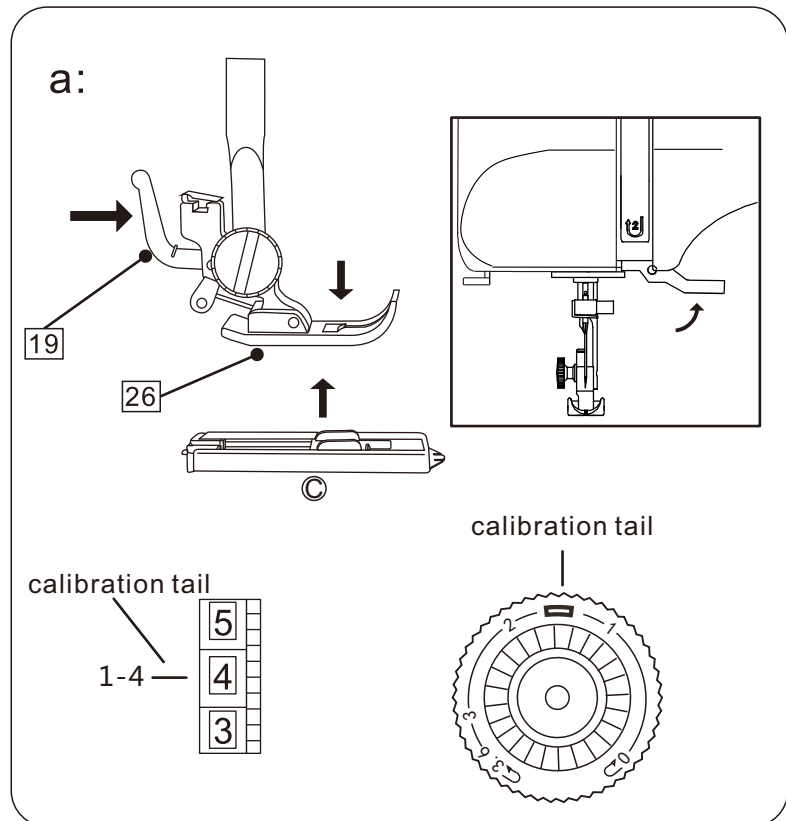
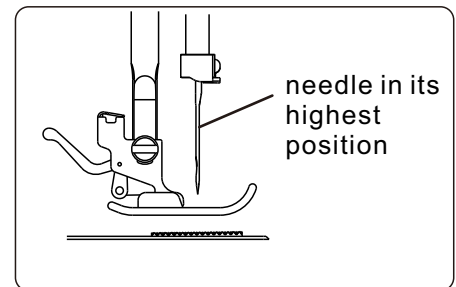
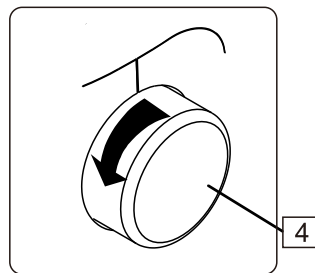
Pull the Buttonhole Foot **C** towards you as far as it will go. Lower the foot.

Note: It is recommended that you practice sewing buttonholes on a scrap piece of fabric before trying to sew them on the actual garment.

Preparing to sew a buttonhole:

Measure the diameter of the button to be used and add 1/8 inch (0.3cm) for the bar tacks. If you have a very thick button, add more to the diameter measurement.

Mark the position and length of the buttonhole on the fabric with tailor's chalk.



Utility Sewing



Note:

The dial can not repeat rotating 360°, Please reverse rotate from the arrow position arrow.

Turn the Hand Wheel [4] anti-clockwise to ensure the needle is higher than needle plate and fabric (keep the needle in its highest position) before rotating the stitch selector or after sewing. Otherwise the needle will be bent.

When selecting a pattern, please keep the pattern on knob aligned with the calibration tail.

Sewing buttonholes

Step:

c: Turn the Stitch Selector Dial [16] to [1] and sew at moderate speed until you reach the end of your mark.

When finished, lift the needle.

d: Turn the Stitch Selector Dial [16] to [2] and sew at 5-6 bar tack stitches.

When finished, lift the needle.

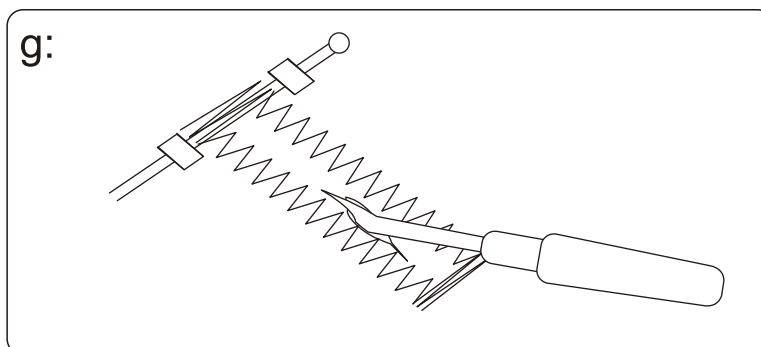
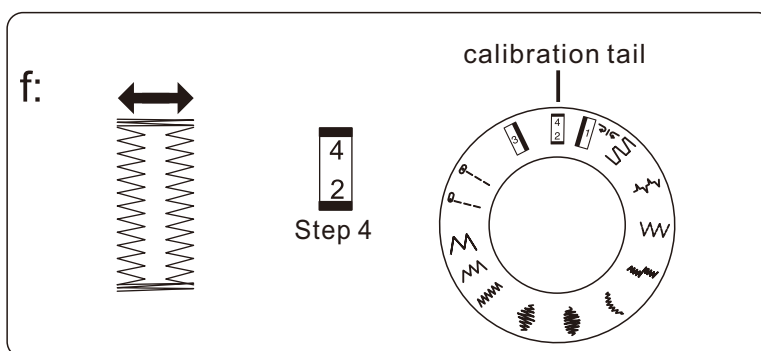
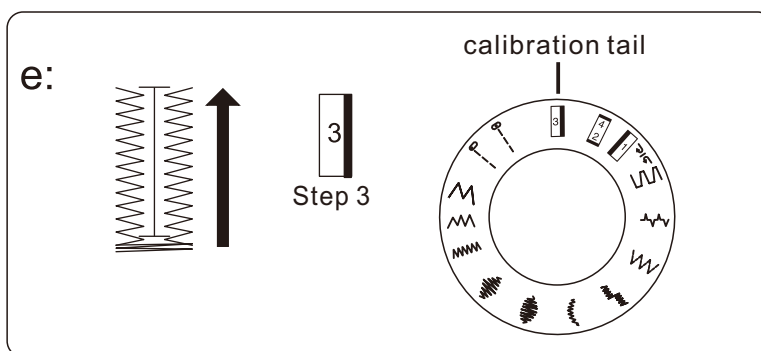
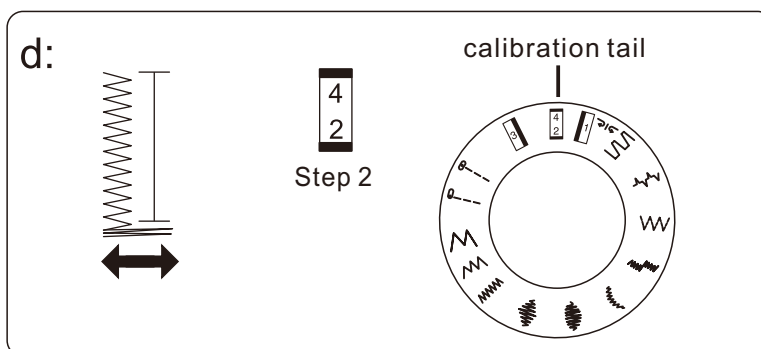
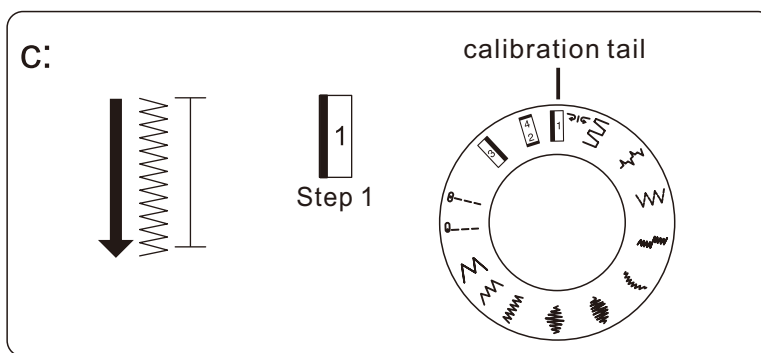
e: Turn the Stitch Selector Dial [16] to [3] and sew the left side of the buttonhole to the mark at the end of which is furthest from you.

When you are finished sewing the left side, lift the needle.

f: Turn the Stitch Selector Dial [16] to [4] and sew 5-6 bar tack stitches. Lift the button foot and remove the fabric.

Finishing the buttonhole:

g: Draw the upper thread through the backside of the garment and tie the upper and bobbin threads together. Cut the center of the buttonhole with the seam un-picker being careful not to cut the stitches on either side.



Utility Sewing



Note:

The dial can not repeat rotating 360°, Please reverse rotate from the arrow position arrow.

Turn the Hand Wheel **4** anti-clockwise to ensure the needle is higher than needle plate and fabric (keep the needle in its highest position) before rotating the stitch selector or after sewing. Otherwise the needle will be bent.

When selecting a pattern, please keep the pattern on knob aligned with the calibration tail.

Sewing buttonholes

Tips:

Slightly reduce the upper tension to produce better results.

Use backing material for fine or stretchy materials.

We recommend placing a pin across the end of the buttonhole as a precaution against cutting the stitches with the seam ripper.

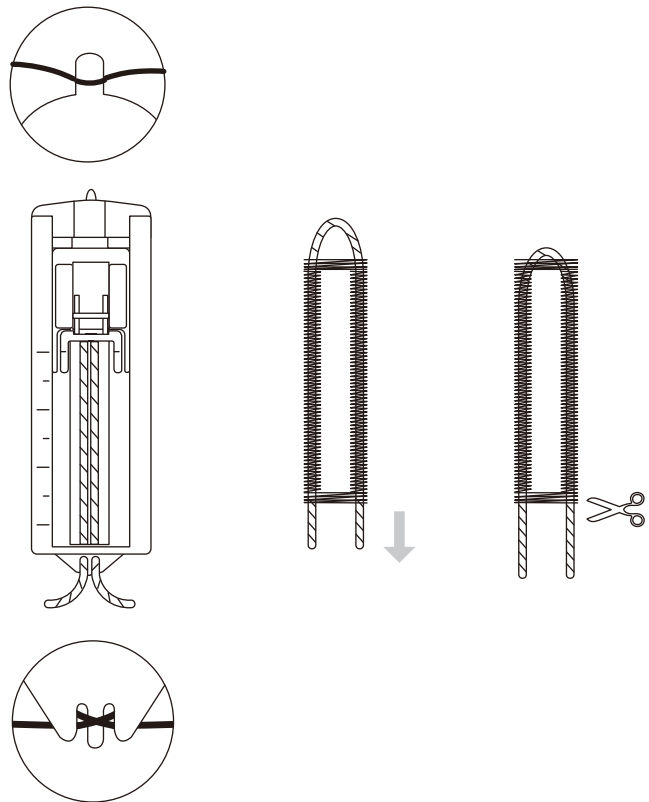
It is advisable to use gimp cord for stretch or knit fabrics. The zigzag should sew over the gimp.

The lines on the buttonhole foot can be used guides when sewing multiple buttonholes.

h: Sewing buttonholes with lines

1. Lift the presser foot, pull the gimp cord and come round the protruding point on back of the buttonhole foot.
2. Pull the gimp cord under the foot to the front.
3. Fix the gimp cord to the protruding point on front of foot.
4. Turn the needle down to the starting position on fabric, put down the presser foot.
5. Sew the buttonhole according to page 22.
6. Pull the gimp cord straightly.
7. Cut the gimp cord.

h:



Care Of Your Machine

Cleaning shuttle race



Caution

Turn off the power switch and unplug the machine before cleaning.
Do not dismantle the machine other than as explained in this section.

- 41 Shuttle race cover holder
- 42 Shuttle race cover
- 43 Shuttle
- 44 Shuttle race

To dismantle the hook race

- a: Raise the needle to its highest position and open the Shuttle cover 35 .
- b: Open the hinged Latch 37 of the Bobbin Case 36 and take it out of the machine.
- c: Open the Shuttle Race Cover Holder 41 .
- d: Remove the Shuttle Race Cover 42.
- e: Remove the Shuttle 43 .
- f: Clean the Shuttle Race 44 with a brush and soft dry cloth.

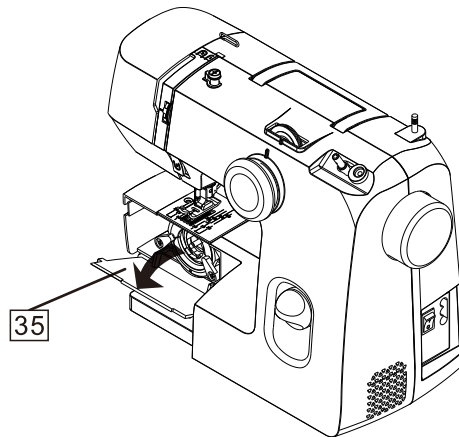
To oil the shuttle race

- g: Before assembling the shuttle race, oil the shuttle race using a few drops of fine quality sewing machine oil.

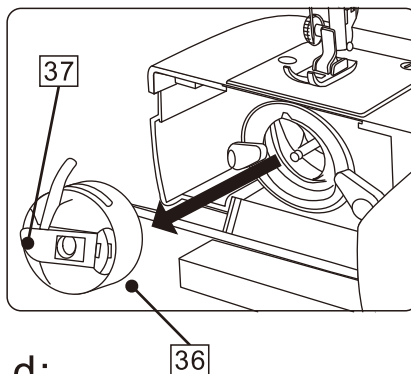
Please add oil under below three conditions:

1. When the machine is keeping running for 8-12 hours;
2. When use the machine again after machine for a longer period;
3. When there is dry wear noise from the machine.

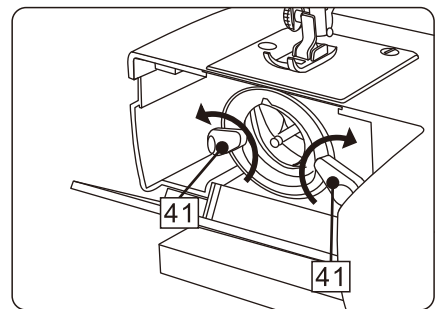
a:



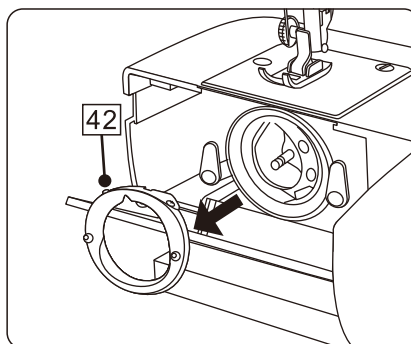
b:



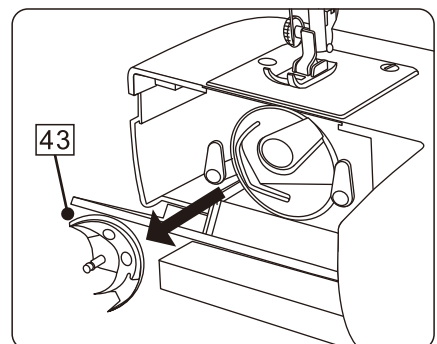
c:



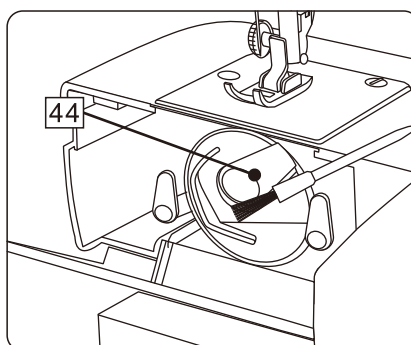
d:



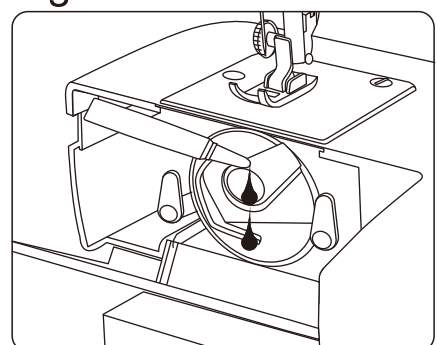
e:



f:



g:



Care Of Your Machine

Cleaning shuttle race



Caution

Turn off the power switch and unplug the machine before cleaning.
Do not dismantle the machine other than as explained in this section.

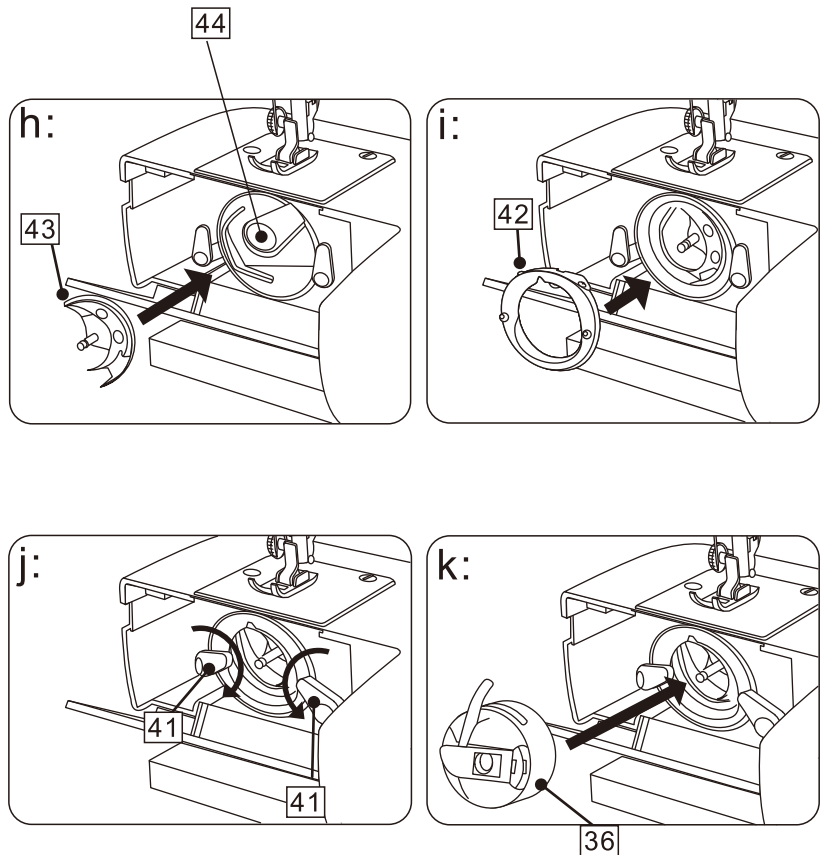
To assemble the shuttle race

h: Hold the Shuttle **43** by the center pin and fit it carefully back into the Shuttle Race **44**, forming a perfect circle with the shuttle driver.

i: Attach the Shuttle Race Cover **42** making sure that the bottom pin fits into the notch.

j: Lock the Shuttle Race Cover Holders **41** by turning the holders back into position until heard a “click” sound.

k: Insert the Bobbin Case **36** until heard a “click” sound.



Cleaning the feed dogs

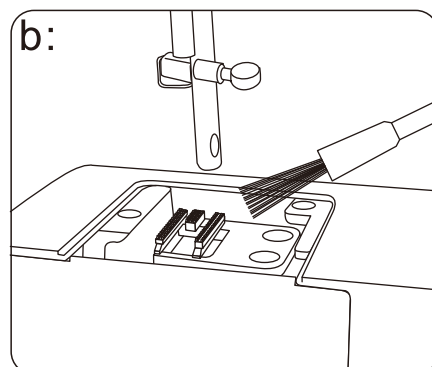
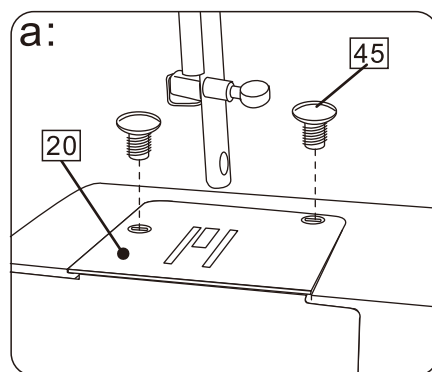
45 Needle plate screw

a: Remove the needle and the presser foot.

Remove the Needle Plate Screws **45** and remove the Needle plate **20**.

b: With a brush, clean out dust and lint clogging on the feed dog teeth.

Replace the Needle Plate **20**, tighten the Needle Plate Screw **45**.



Care Of Your Machine

Oiling the machine



Caution

Turn off the power switch and unplug the machine before cleaning.

Do not dismantle the machine other than as explained in this section.

46 Face cover screw

a: Remove the Face cover **14** .

Loosen the Face Cover Screw **46** and remove the Face Cover **14** to left side.

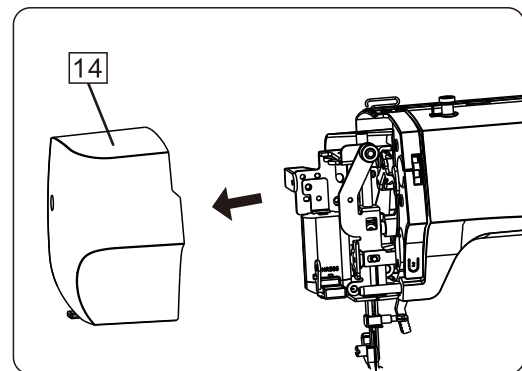
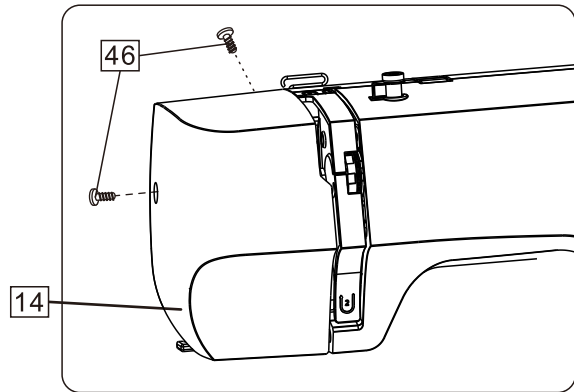
b: Oil the points shown by the arrows.

Replace the Face Cover **14** , tighten the Face Cover Screw **46** .

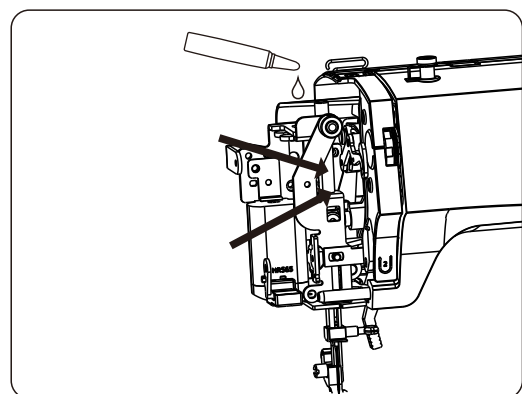
Please add oil under below three conditions:

1. When the machine is keeping running for 8-12 hours;
2. When use the machine again after machine for a longer period;
3. When there is dry wear noise from the machine.

a:



b:



Troubleshooting

Trouble	Causes	Solution
Top thread broken	<ol style="list-style-type: none"> 1.Improper top threading. 2.Excessively tight top tension. 3.Blunt or bend needle. 4.Improper fixing of needle. 5.At start of sewing, top thread and bottom thread are not correctly fixed beneath the presser. 6.The thread is unsuitable 	<ol style="list-style-type: none"> 1.Threading the top thread again. (Refer to page 9.) 2.Adjust the top tension. (Refer to page 12.) 3.Replace the needle. (Refer to page 6.) 4.Reinstall the needle. (Refer to page 6.) 5.Proper operation. (Refer to page 11.) 6.Replace the proper thread. (Refer to page 7.)
bobbin thread broken	<ol style="list-style-type: none"> 1.The bobbin thread is not correctly threaded into bobbin case. 2.Cotton flock collected on shuttle race. 3.The bobbin is damaged and impossible to smoothly rotate. 	<ol style="list-style-type: none"> 1.Thread the bobbin thread again. (Refer to page 10.) 2.Clean the shuttle race. (Refer to page 24,25.) 3.Replace the bobbin. (Refer to page 10.)
Needle broken	<ol style="list-style-type: none"> 1.Improper fixing of needle. 2.Blunt or bend needle. 3.The needle clamp screw is loosening. 4.Excessively tight top tension. 5.Too thin needle. 	<ol style="list-style-type: none"> 1.Reinstall the needle. (Refer to page 6.) 2.Replace the needle. (Refer to page 6.) 3.Tight the needle clamp screw. 4.Adjust the top tension. (Refer to page 12.) 5.Replace the proper needle. (Refer to page 7.)
Skipping stitches	<ol style="list-style-type: none"> 1.Improper fixing of needle. 2.Blunt or bend needle. 3.The needle and (or) thread is unsuitable for the used fabric. 4.Improper top threading. 5.The needle is unsuitable. 	<ol style="list-style-type: none"> 1.Reinstall the needle. (Refer to page 6.) 2.Replace the needle. (Refer to page 6.) 3.Replace the proper needle and thread. (Refer to page 7.) 4.Threading the top thread again. (Refer to page 9.) 5.Replace the proper needle. (Refer to page 6.)
Seam puckering	<ol style="list-style-type: none"> 1.Excessively tight top tension. 2.Improper top threading. 3.Excessively thick top thread for the used fabric. 	<ol style="list-style-type: none"> 1.Adjust the top tension. (Refer to page 12.) 2.Threading the top thread again. (Refer to page 9.) 3.Replace the proper thread. (Refer to page 6.)
Unsmooth feed	<ol style="list-style-type: none"> 1.Feed dog is wound by thread. 2.Thread jams. 	<ol style="list-style-type: none"> 1.Clean the feed dog. (Refer to page 25.) 2.Clean the clamping thread.
Not run of machine	<ol style="list-style-type: none"> 1.Not surely inserting power plug. 2.Clamping thread at shuttle race. 3.Failure to replace the bobbin winder shaft at original position after winding bobbin. 	<ol style="list-style-type: none"> 1.Check the power connector. (Refer to page 3.) 2.Clean the clamping thread. 3.Push the bobbin winder shaft to original position. (Refer to page 8.)
Thread jaming	<ol style="list-style-type: none"> 1.The presser foot lifter is not lower down when sewing. 2.Improper top threading. 3.Improper bobbin threading. 	<ol style="list-style-type: none"> 1.Lower down the presser foot lifter. (Refer to page 4.) 2.Threading the top thread again. (Refer to page 9.) 3.Threading the bobbin thread again. (Refer to page 10.)

Specifications

Specifications	
Model:	RedCat
Sewing Speed:	650±50 rpm
Needle Size:	14# (90#)
Power:	70W(motor) + 1W (led lamp)
Voltage:	AC 220~240V; 50Hz
Press Foot Height:	5.7±0.2 mm
Stitch Width:	4.5 mm
Stitch Length:	3.6 mm
Weight:	G.W. 6kg / N.W. 5 kg
Machine Size:	345 x 145 x270 mm
Package Size:	405 x 210 x335 mm



Meaning of crossed - out wheeled dustbin:

Do not dispose of electrical appliances as unsorted municipal waste, use separate collection facilities.

Contact you local government for information regarding the collection systems available.

If electrical appliances are disposed of in landfills or dumps, hazardous substances can leak into the groundwater and get into the food chain, damaging your health and well-being.

When replacing old appliances with new ones, the retailer is legally obligated to take back your old appliances for disposals at least free of charge.

СОДЕРЖАНИЕ

Важные правила техники безопасности	1
Название деталей	2
Подготовка к шитью	3
Подключение машины к источнику питания	
Рабочий стол	4
Рычаг прижимной лапки	4
Изменение направления шитья	5
Замена прижимной лапки	6
Замена иглы	7
Соотношение игл и нитей	8
Переключатель строчек и индикатор	8
Намотка шпульки	9
Заправка верхней нити	10
Заправка нижней нити	11
Установка шпульного колпачка	12
Заправка нижней нити	13
Натяжение нити	14
Направительные линии	15
Шитье	16
Выбор нужной строчки	16
Стежки реверса	17
Окончание работы	18
Обрезка нити	18
Выполнение различных швов	19
Обметочные строчки	19
Эластичный зигзаг	20
Потайная строчка	21
Декоративная строчка	21
Обметывание петли	22
Советы	24
Уход за машиной	25
Разборка челночного устройства	25
Чистка механизма подачи ткани	18
Смазка швейной машины	27
Устранение неисправностей	28
Технические характеристики	30

ВАЖНЫЕ ПРАВИЛА ТЕХНИКИ БЕЗОПАСНОСТИ

При использовании швейной машины следует всегда соблюдать основные правила техники безопасности, включая следующие:

Прочтите все инструкции перед началом использования данной швейной машины.

ОПАСНОСТЬ – Для снижения риска электрического удара:

1. Швейную машину никогда нельзя оставлять без надлежащего присмотра во включенном состоянии.
2. Всегда отключайте швейную машину от сети электропитания сразу после использования перед началом чистки.

ПРЕДУПРЕЖДЕНИЕ – Для снижения риска получения ожогов, возникновения пожара, получения электрического удара или травмы пользователя:

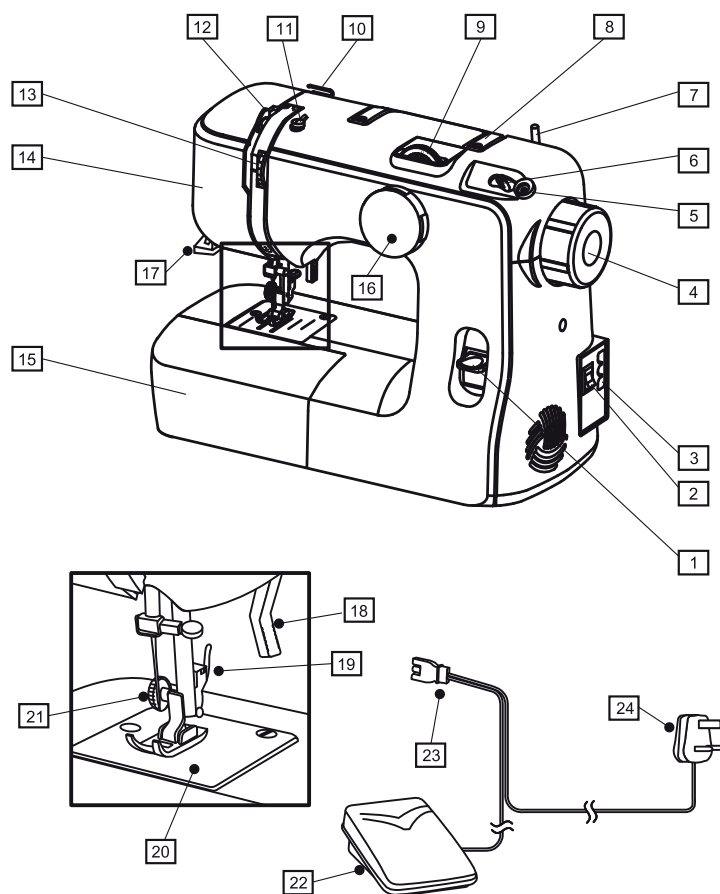
1. Внимательно прочтите настоящие инструкции перед использованием швейной машины.
2. Храните настоящие инструкции в надлежащем месте рядом со швейной машиной и прилагайте их в случае передачи машины третьим лицам.
3. Используйте швейную машину только в сухом месте.
4. Швейная машина может использоваться детьми начиная с 14 лет и старше, а также людьми со сниженными физическими, сенсорными или умственными способностями, или с недостатком опыта и знаний, если за ними будет вестись надлежащий присмотр или они будут проинструктированы касательно правильного и безопасного применения швейной машины и возможных опасных ситуаций.
5. Детям запрещено играть со швейной машиной.
6. Чистку и техническое обслуживание не могут выполнять дети без надлежащего присмотра.
7. Всегда выключайте швейную машину при подготовке к работе (замена иглы, заправка нити в машину, замена прижимной лапки и т.д.).
9. Всегда выключайте швейную машину, если она остается без присмотра. Это позволит избежать травм при случайном включении машины.
10. Всегда выключайте швейную машину при проведении технического обслуживания (смазка, чистка).
11. Не используйте швейную машину в сыром или влажном помещении.
12. Не выключайте швейную машину, потянув за шнур электропитания. Для выключения устройства держите за вилку, а не за шнур.
13. Если светодиодная лампа неисправна или повреждена, её должен заменить квалифицированный специалист. Это позволит избежать возникновения опасности.
14. Никогда не кладите на педаль посторонние предметы.
15. Не используйте швейную машину при блокировке вентиляционных отверстий. Обеспечьте открытость вентиляционных отверстий машины и позаботьтесь, чтобы ножная педаль была свободна от волокна, пыли и т.д.
16. Швейную машину можно использовать только с ножной педалью типа 4С-333В.
17. Не утилизируйте электрические приборы вместе с обычным бытовым мусором, обращайтесь в пункты раздельного сбора.
18. Обратитесь в местные органы власти для получения информации касательно доступных пунктов раздельного сбора.
19. Если электрические приборы отправлены в места захоронения отходов или свалки, опасные вещества могут проникать в грунтовые воды и попадать в пищевую цепочку, нанося вред вашему здоровью и благополучию.
20. При замене старых швейных машин на новые, розничный продавец, по закону, должен забрать ваше старое устройства на утилизацию совершенно бесплатно.

СОХРАНИТЕ ИНСТРУКЦИЮ!

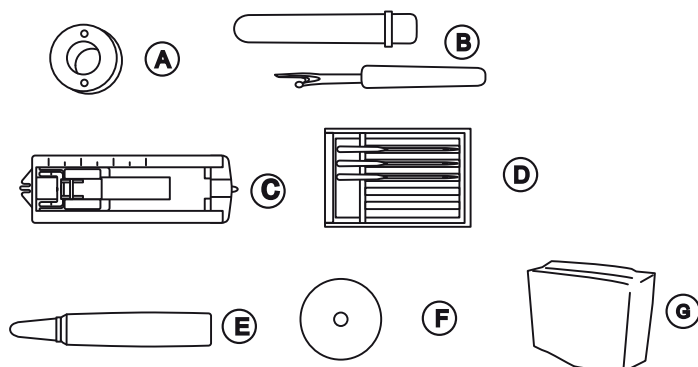
ДАННАЯ ШВЕЙНАЯ МАШИНА ПРЕДНАЗНАЧЕНА ТОЛЬКО ДЛЯ ДОМАШНЕГО ПРИМЕНЕНИЯ.

- Не касайтесь движущих частей. Будьте особенно внимательны, когда манипулируете в зоне действия иглы.
- Всегда используйте только соответствующую игольную пластину. В противном случае игла может сломаться.
- Нельзя использовать погнутые иглы. Не тяните и не дергайте ткань во время шитья. Это может повредить и даже сломать иглу.

Названия деталей



1. Рычаг обратной подачи
2. Выключатель питания
3. Разъем машины
4. Маховик
5. Стопор намотки шпульки
6. Моталка
7. Стержень для катушки
8. Ручка
9. Регулятор длины стежка
10. Нитенаправитель
11. Нитеводитель намотки шпульки
12. Рычаг нитепритягивателя
13. Регулятор натяжения нити
14. Фронтальная крышка
15. Рабочий стол и коробка для принадлежностей
16. Переключатель строчки
17. Нитеобрезатель
18. Рычаг прижимной лапки
19. Держатель прижимной лапки
20. Игольная пластинка
21. Винт держателя лапки
22. Ножной привод (педаль)
23. Вилка подключения к машине
24. Вилка кабеля питания



- A. Шпулька 3 шт.
- B. Распарыватель шва
- C. Лапка для обработки петли
- D. Набор игл
- E. Масло
- F. Фетровые подкладки
- G. Пылезащитный чехол

Подготовка к шитью

ШАГ 1:

Подключение машины к источнику питания



Примечание:
перед использованием внимательно прочитайте инструкции по технике безопасности.

Перед включением в сеть убедитесь, что номинальное напряжение, указанное на задней панели, совпадает с вашим сетевым напряжением.

Убедитесь, что ваше напряжение составляет 220-240 В, 50/60 Гц.

A. Отключите выключатель электропитания (2).

B. Вставьте вилку машины (23) в разъем машины (3).

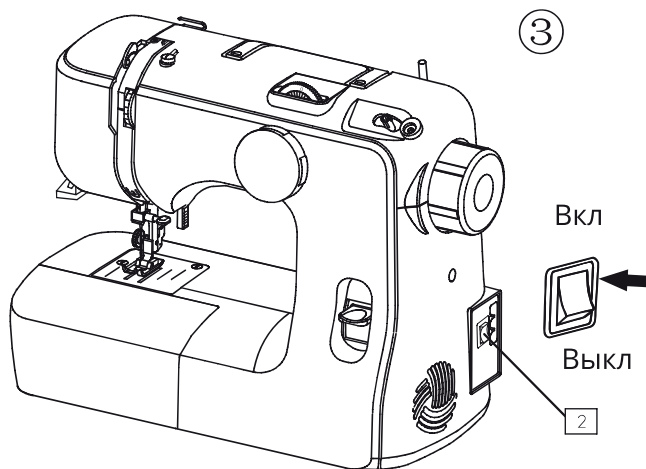
C. Вставьте вилку (24) в сетевую розетку.

D. Включите выключатель питания (2), лампочка загорится автоматически.

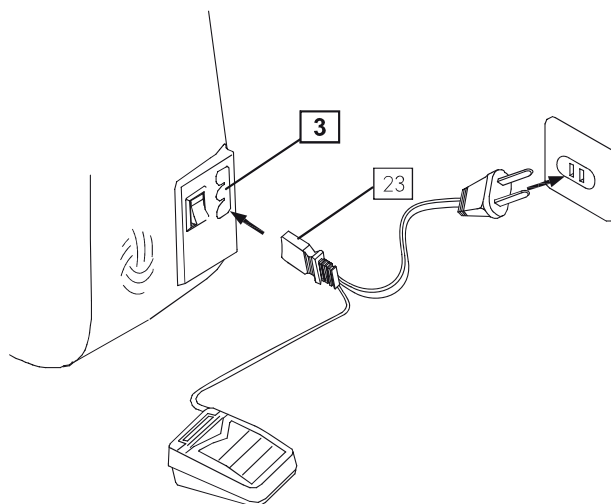


Внимание: убедитесь, что ваши руки не касаются иглы и прижимной лапки и вы не нажимаете ножной привод (22), который автоматически запускает швейную машину.

a:



b:



c:

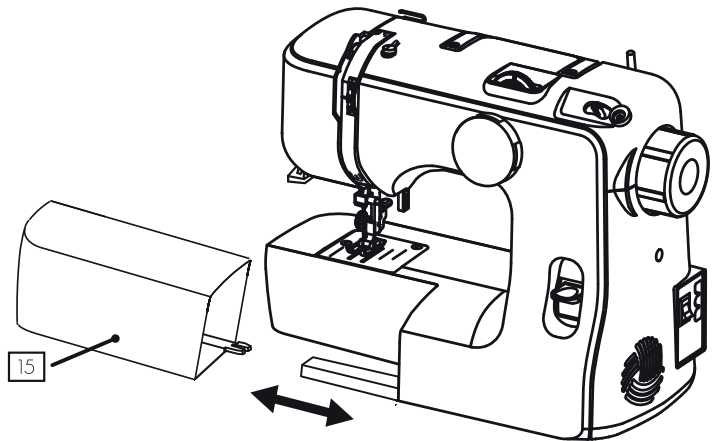


ШАГ 2: Рабочий стол

Рабочий стол (15) представляет собой дополнительную поверхность для шитья, который можно легко снять для удобства.

Такой вид шитья используется в работе с узкими и труднодоступными участками одежды, такими как низ брюк или манжеты на рукавах

- Для того чтобы снять рабочий стол, возьмитесь за его край и потяните влево.
- Для установки обратно подтолкните его, пока он не встанет на свое место.

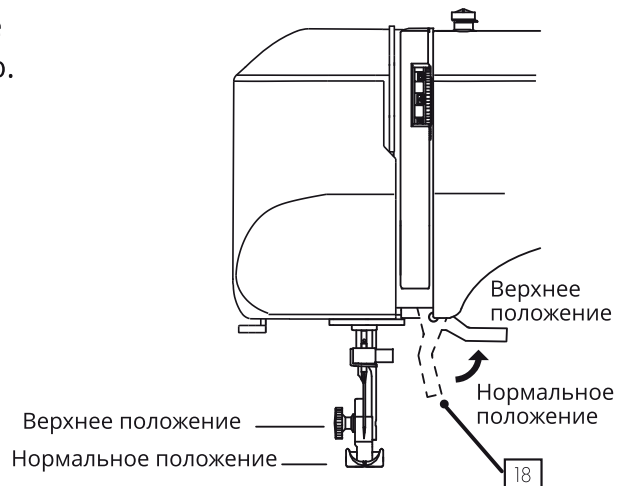


Хранение принадлежностей

Швейные принадлежности удобно хранить внутри рабочего стола (15)

Рычаг прижимной лапки (18)

Поднимает и опускает прижимную лапку.



ШАГ 3:

Изменение направления шитья



Примечание: если игла не находится в ткани, вы можете вращать маховик против часовой стрелки (на себя), пока игла не проткнет ткань.

Неправильное направление вращения маховика приведет к застреванию верхней и нижней нити под игольной пластиной.

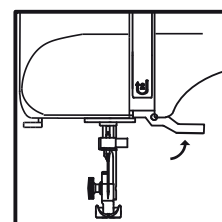
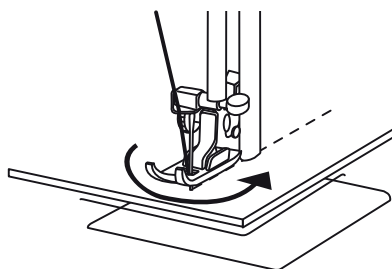
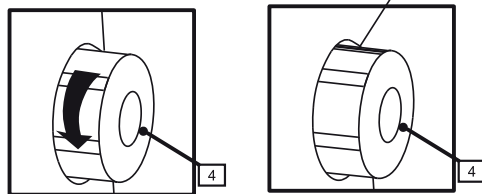
Поверните маховик против часовой стрелки так, чтобы установить для шитья высшую метку.

Остановите машину в точке, где вы хотите изменить направление, при этом игла остается в ткани.

Поднимите прижимную лапку и поверните ткань в нужном направлении, используя иглу как поворотную точку.

Опустите прижимную лапку и продолжайте шить в новом направлении.

Калибровочные метки



ШАГ 4:

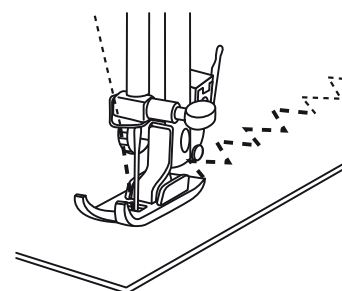
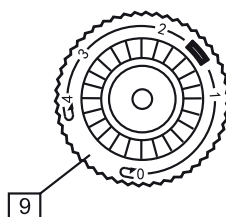
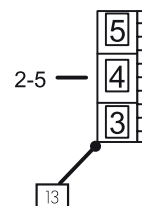
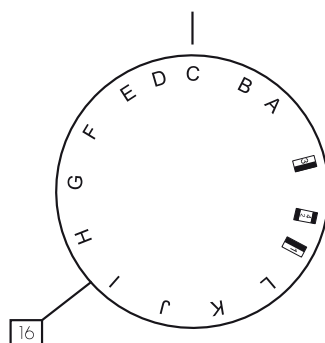
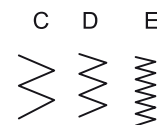
Шитье зигзагом

Простой зигзаг широко используется для обметывания, пришивания пуговиц и т.д.

Установите регулятор вида строчки (16) в положение «С», «D» или «E».

Установите регулятор натяжения нити (13) на отметки 2-5.

Регулятор длины (9) можно установить между 1 и 4.



Примечание: для получения качественных стежков натяжение верхней нити должно быть слегка слабее, чем при шитье прямыми стежками.

ШАГ 5:

Замена прижимной лапки



Примечание: при замене прижимной лапки убедитесь, что выключатель электропитания (2) отключен.

25 – Игла

26 – Прижимная лапка

27 – Канавка

28 – Стержень

а: Снять

Поверните маховик (4) на себя, чтобы поднять иглу (25) в самое верхнее положение.

Поднимите прижимную лапку (26) в самое верхнее положение посредством рычага прижимной лапки (18).

Нажмите держатель прижимной лапки (19), как показано на рисунке. Прижимная лапка (26) освободится.

б: Установить

Поместите прижимную лапку (26) на игольную пластину (20) и установите стержень лапки (28) на одном уровне с канавкой (27) держателя лапки. Опустите держатель лапки, чтобы зафиксировать лапку на месте.

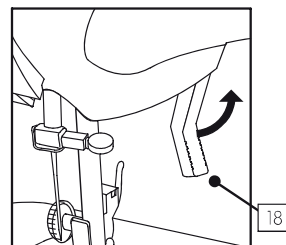
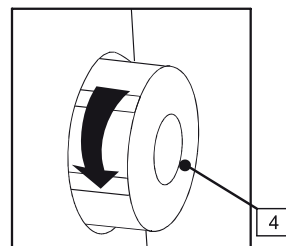
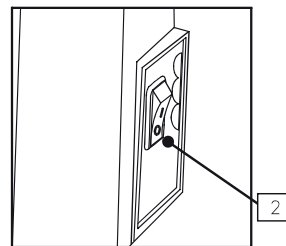
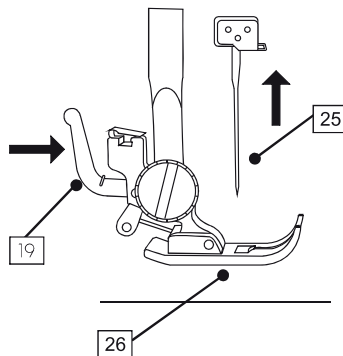
Примечание:

перед началом работы убедитесь, что прижимная лапка (26) надежно крепится.

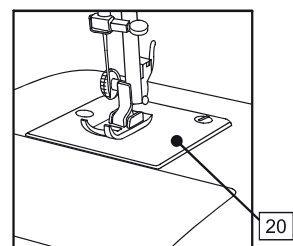
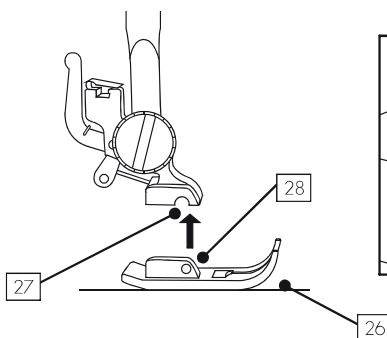
Перед началом шитья не забудьте опустить рычаг прижимной лапки (18).




а:



б:



ШАГ 6: Замена иглы

 **Примечание: при замене иглы убедитесь, что выключатель электропитания (2) отключен («0»).**

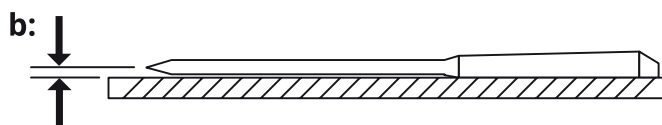
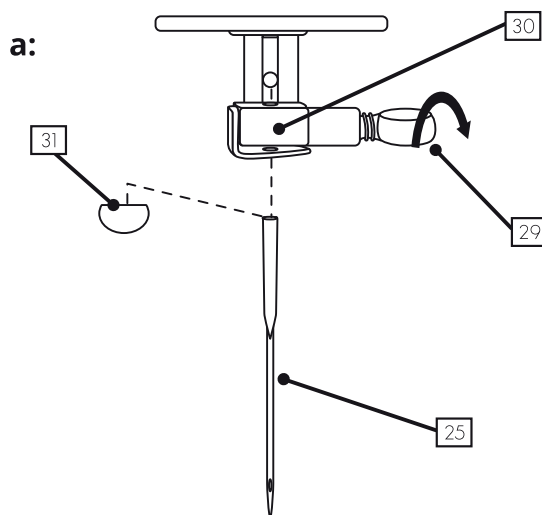
- 25 – Игла
- 29 – Зажимной винт иглы
- 30 – Зажим иглы
- 31 – Плоская сторона


а: Поднимите иглу (25) в самое верхнее положение, повернув маховик (4) против часовой стрелки на себя и опустив прижимную лапку (26).

Ослабьте зажимной винт иглы (29), повернув его против часовой стрелки.

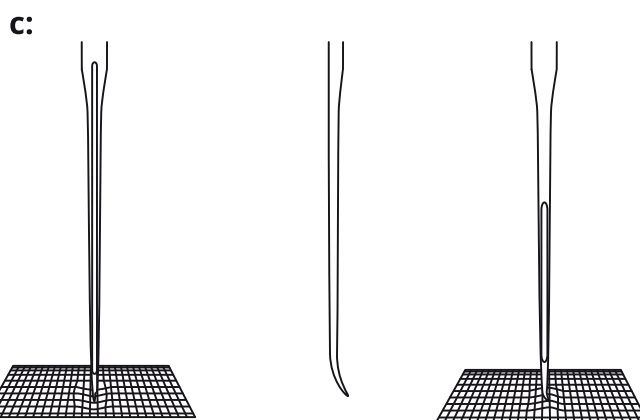
Выньте иглу (25) из зажима (30).


Вставьте новую иглу в зажим (30), плоская сторона иглы смотрит назад (31).



 **Примечание: вставив иглу в зажим (30), толкните ее вверх до упора. Затяните зажимной винт иглы, поворачивая его по часовой стрелке.**

б: Для того чтобы убедиться, что игла не изогнута, положите ее плоской стороной вниз на что-нибудь ровное (напр. игольная пластина или стекло). Зазор между иглой и плоской поверхностью должен быть равномерным по всей длине. Никогда не пользуйтесь кривой или тупой иглой.



 **Примечание: игла должна быть прямой и острой, чтобы обеспечить гладкое шитье.**

с: Замените иглу, если она:

- Кривая
- Тупая
- Острие повреждено

ШАГ 7:

Соотношение игл и нитей



ВНИМАНИЕ: никогда не используйте кривую или тупую иглу.

Пользуйтесь только стандартными иглами. Размер иглы должен соответствовать размеру нити, а все вместе они должны соответствовать типу ткани.

Для нормального шитья верхняя нить в катушке и нижняя нить в шпулке должны быть одинаковыми по типу и размеру.

Для нормального шитья или для тонкой ткани используйте размер иглы 9-11. Для тяжелой или грубой ткани используйте размер иглы 14-16.

ШАГ 8:

Переключатель строчки и индикатор

Перед выбором строчки убедитесь, что игла находится в самом верхнем положении вне ткани.

Вращайте переключатель строчки до нужного символа.

Ручка не может повторить вращение на 360°.

Нельзя продолжать вращение переключателя строчки против часовой стрелки, однако возможно обратное вращение, когда переключатель стоит на отметке «1».

Нельзя продолжать вращение переключателя строчки по часовой стрелке, однако возможно обратное вращение, когда переключатель стоит на отметке «L».

Толщина ткани	Тип ткани	Рекомендованная нить	Размер иглы
Тонкая ткань	Шелк, муслин, линобатист, органди, креп-жоржет, трико-сукно	Тонкая шелковая нить 80-100 Тонкая х/б нить 80-100 Тонкая полиэфирная нить 80-100 Тонкая нить 50	9 (65) или 11 (75)
Средняя ткань	Лен, х/б, пике, саржа, трикотаж, тонкие х/б изделия	Х/б нить 60-80 Синтетическая нить 50-80 Х/б нить 50	11 (65) или 14 (90) 14 (90)
Толстая ткань	Джинс, прочный х/б материал, габардин, ткань с покрытием, шерсть, брезент	Шелковая нить 50 Х/б нить 40-50 Синтетическая нить 40-50 Шелковая нить 30 Х/б нить 30	14 (95) или 6 (100) 16 (100)

ШАГ 9:

Заправка нижней нити

a: Вытяните маховик (4) до щелчка. Тяните маховик до упора. Очень важно услышать щелчок.

b: Стержень для катушки (7) используется для крепления катушки и подачи нити в швейную машину. Выдвиньте стержень и установите на нем катушку ниток. По окончании работы снимите катушку и задвиньте стержень внутрь.

c: Установите катушку ниток на стержень. Потяните нитку с катушки и заведите ее вокруг нитенаправителя (10) и нитеводителя намотки шпульки (11).

d: Протяните нить через одно из отверстий в шпулке (A) в направлении изнутри наружу или вручную сделайте несколько витков нитки по часовой стрелке вокруг пустой шпульки.

e: Установите шпульку (A) на моталку (6) и переведите моталку вправо в положение для намотки шпульки.

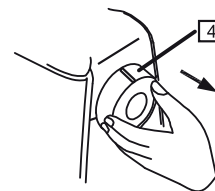
f: Включите питание (2). Плавно нажмите на педаль. Шпулька остановится после полной намотки. После намотки верните моталку в прежнее положение, чтобы начать шитье.

g: Верните маховик (4) назад до щелчка.

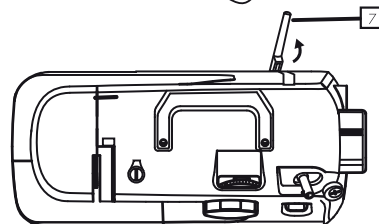


Примечание: не забудьте вернуть маховик в прежнее положение до упора. Очень важно услышать щелчок.

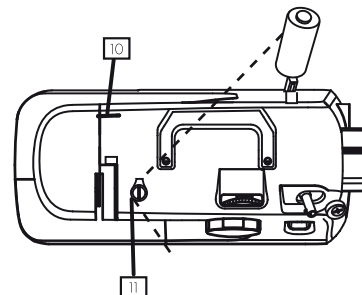
a:



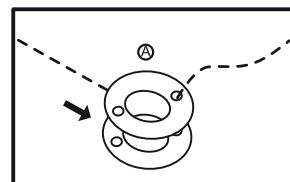
b:



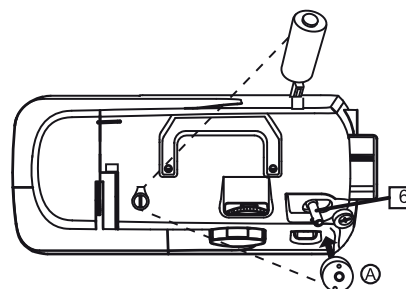
c:



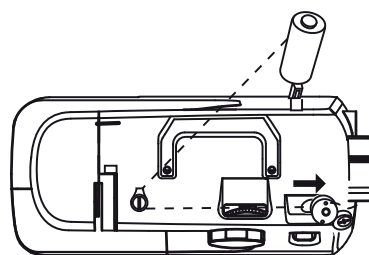
d:



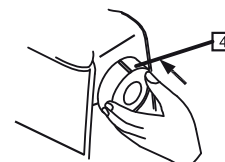
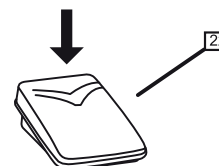
e:



f:



g:



ШАГ 10:

Заправка верхней нити



Внимание: рекомендуем отключать электропитание, выполняя эти операции.

32 – Зона натяжения

33 – Держатель установочной пружины

34 – Нитенаправитель

25 – Игла

a: Установите рычаг нитепритягивателя в верхнее положение, повернув маховик (4) на себя. Поднимите прижимную лапку.

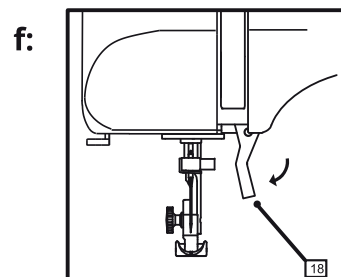
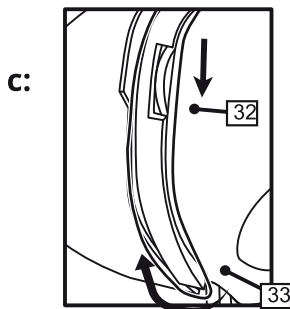
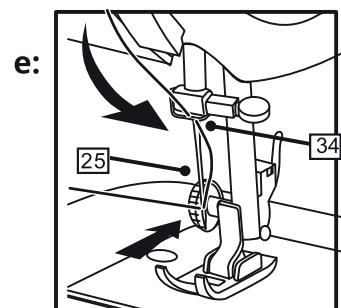
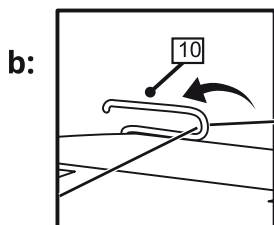
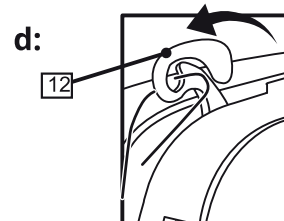
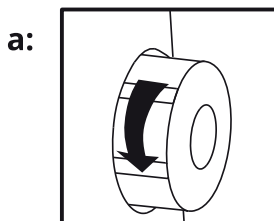
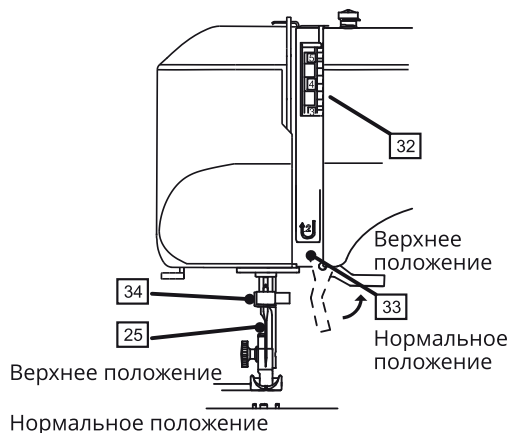
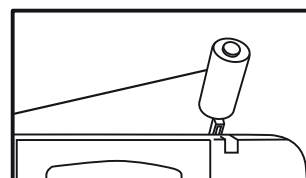
b: Протяните нить от верхней катушки через нитенаправитель (10).

c: Возьмите конец нити и осторожно заведите нить вниз и вокруг держателя установочной пружины (33).

d: Осторожно потяните нить вверх и через нитепритягиватель (12) справа налево.

e: Осторожно потяните нить вниз и вставьте в нитенаправитель (34). Вденьте нить в игольное ушко, а потом протяните нить от себя назад. Оставьте около 10 см нити за иглой.


f: Опустите прижимную лапку (18), чтобы начать шитье.



Примечание: внимательно выполняйте все шаги по заправке нити, в противном случае машина будет плохо работать. Перед началом работы всегда проверяйте, правильно ли заправлена нить.

ШАГ 11: Заправка нижней нити

- 35 – Челночный отсек
- 36 – Шпульный колпачок
- 37 – Защелка
- 38 – Натяжная пружина

 **Внимание:** выполняя эту операцию, отключите электропитание (2).


a: Снимите рабочий стол (15) с машины, сдвинув его влево. Откройте челночный отсек (35), потянув за ушко на левой стороне крышки. Поднимите иглу в верхнее положение, повернув маховик на себя.

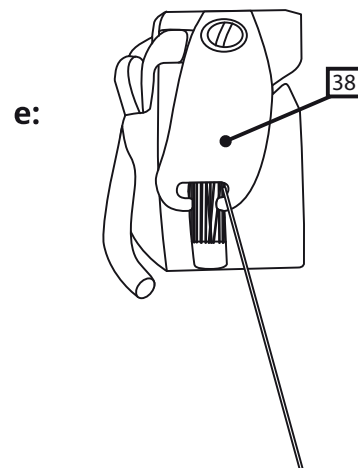
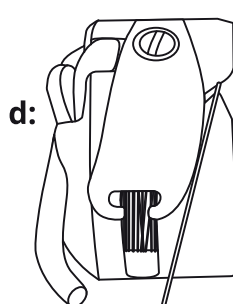
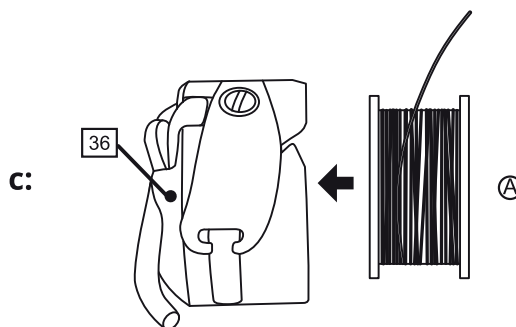
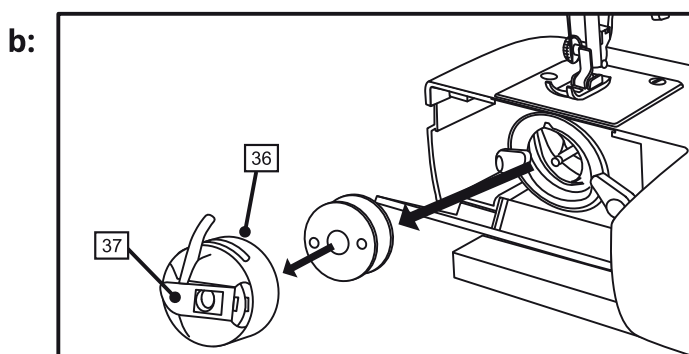
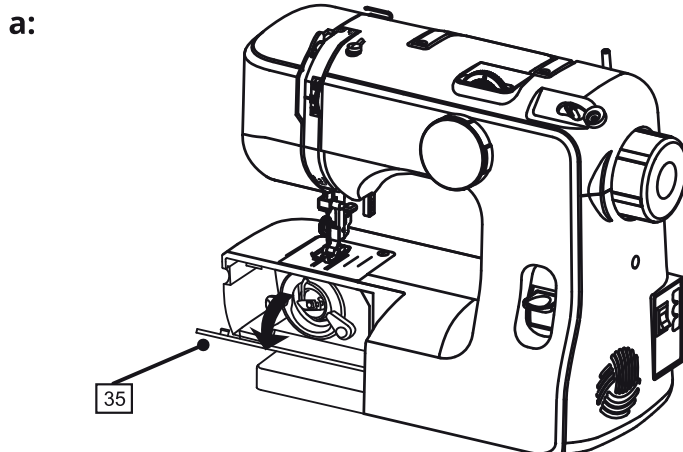
b: Для того чтобы снять шпульный колпачок (36) со шпульки, отогните защелку (37) и снимите колпачок.

c: Вставьте шпульку (A) в колпачок (36) так, чтобы нить со шпульки шла по часовой стрелке.

d: Протяните нить через прорезь в колпачке.

e: Заведите нить под пружину натяжения (38) и далее через отверстие.

 **Примечание:** оставьте свободный конец нити длиной около 10 см (4").



ШАГ 12:

Установка шпульного колпачка

35 – Челночный отсек

36 – Шпульный колпачок

37 – Защелка

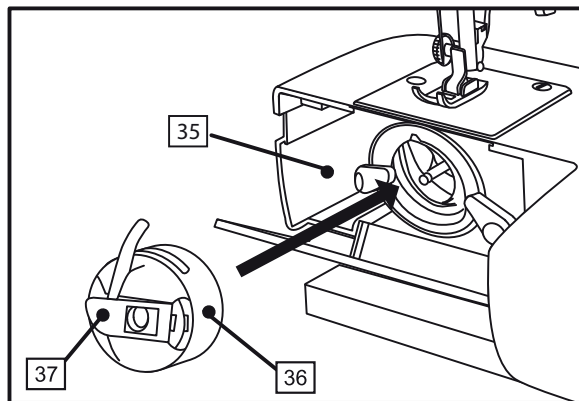
a: Поднимите иглу, повернув маховик на себя. Откройте челночный отсек (35). Держите шпульный колпачок за защелку (37). Вставьте шпульный колпачок в челнок и освободите защелку.



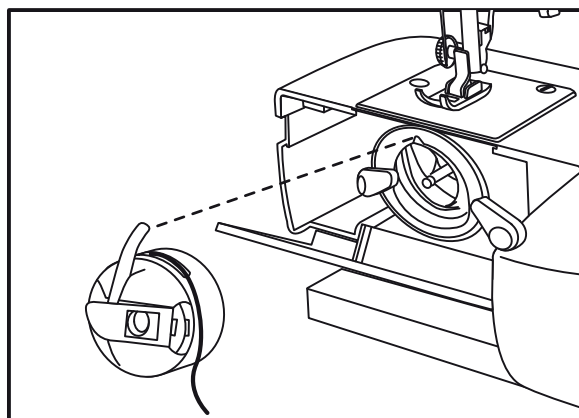
Примечание: наденьте шпульный колпачок на стержень челнока до упора. Вы должны услышать щелчок.

b: Убедитесь, что защелка вошла в паз в верхней части крышки челнока или гнезда.

a:



b:



ШАГ 13:

Окончание заправки нитей

39 – Игольная нить

40 – Нижняя нить

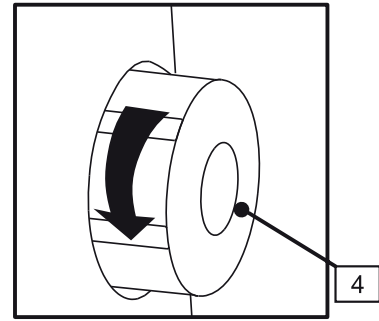


Примечание: убедитесь, что вы правильно выполнили все действия шага 10. Поверните маховик против часовой стрелки на себя. В противном случае вам не удастся вытянуть нижнюю нить.

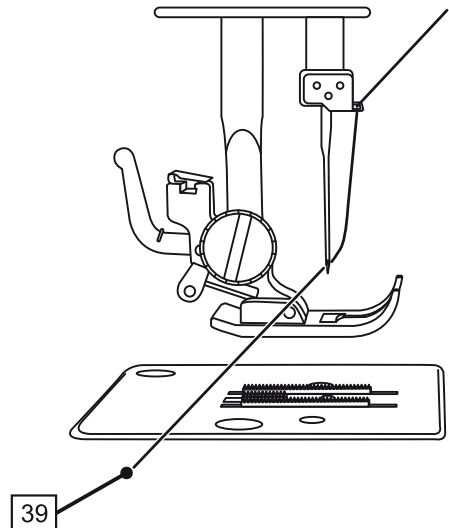
а: Поднимите прижимную лапку. Удерживая игольную нить (39) в левой руке, сделайте один полный оборот маховиком против часовой стрелки на себя.

б: Вытащите нижнюю нить (40) наружу, потянув вверх игольную нить.

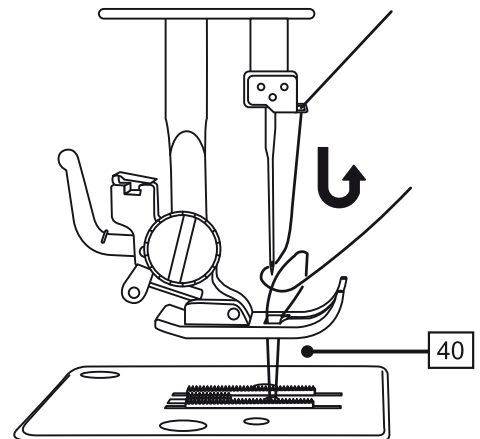
с: Положите обе нити (15 см / 6") под прижимную лапку и заведите назад.



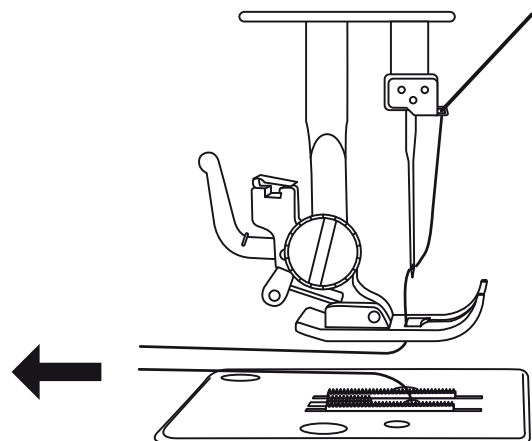
а:



б:



с:



ШАГ 14:

Натяжение нити



Примечание: натяжение нижней нити регулируется на заводе-изготовителе, и обычно повторная регулировка не требуется.

a: Ослабление натяжения нити. Для регулировки натяжения нижней нити выньте шпульный колпачок со шпулькой из машины и держите за нить на весу. Тряхните его раз или два. Если натяжение правильное, нить отмотается на 2,5 - 5,0 см. Если нить сильно натянута, она не размотается. Если натяжение слабое, нить отмотается больше чем на 5,0 см.

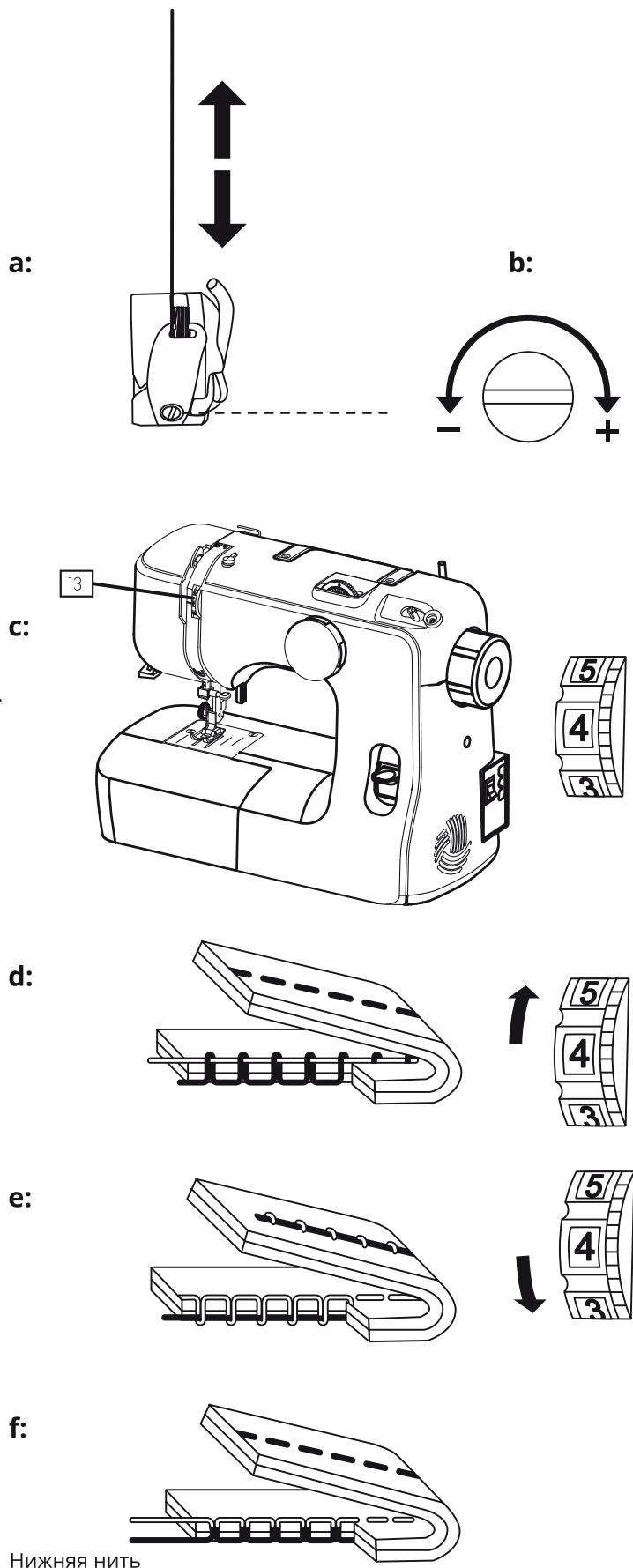
b: Для регулировки натяжения поверните небольшой винт на боковой стороне шпульного колпачка.

c: Натяжение верхней нити. Поверните регулятор натяжения нити (13), чтобы отрегулировать натяжение. Стандартное натяжение нити «3-4».

d: Натяжение верхней нити. Для усиления натяжения установите регулятор на более высокий номер.

e: Для ослабления натяжения установите регулятор на меньший номер.

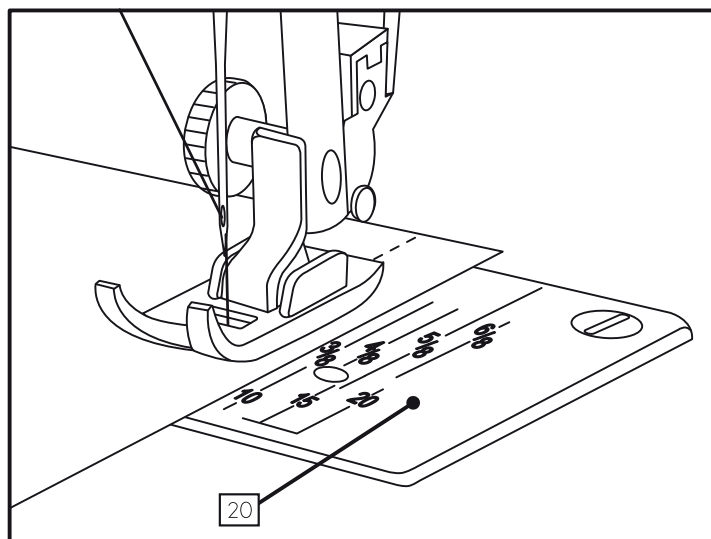
f: Нормальное натяжение нити.



ШАГ 15:

Направительные линии

Номер на игольной пластине (20) указывает расстояние между центральным положением иглы и направляющими линиями. Номера в передней части игольной пластины указаны в миллиметрах, а номера, расположенные за ними, указаны в дюймах.



Шитьё

ШАГ 1:

Выбор нужной строчки



Примечание: переключатель не может повторить вращение на 360°.

Нельзя продолжать вращение переключателя строчки против часовой стрелки, однако возможно обратное вращение, когда указатель стоит на отметке «1».

Нельзя продолжать вращение переключателя строчки против стрелки, однако возможно обратное вращение, когда указатель стоит на отметке «L».

В противном случае можно повредить переключатель строчки.

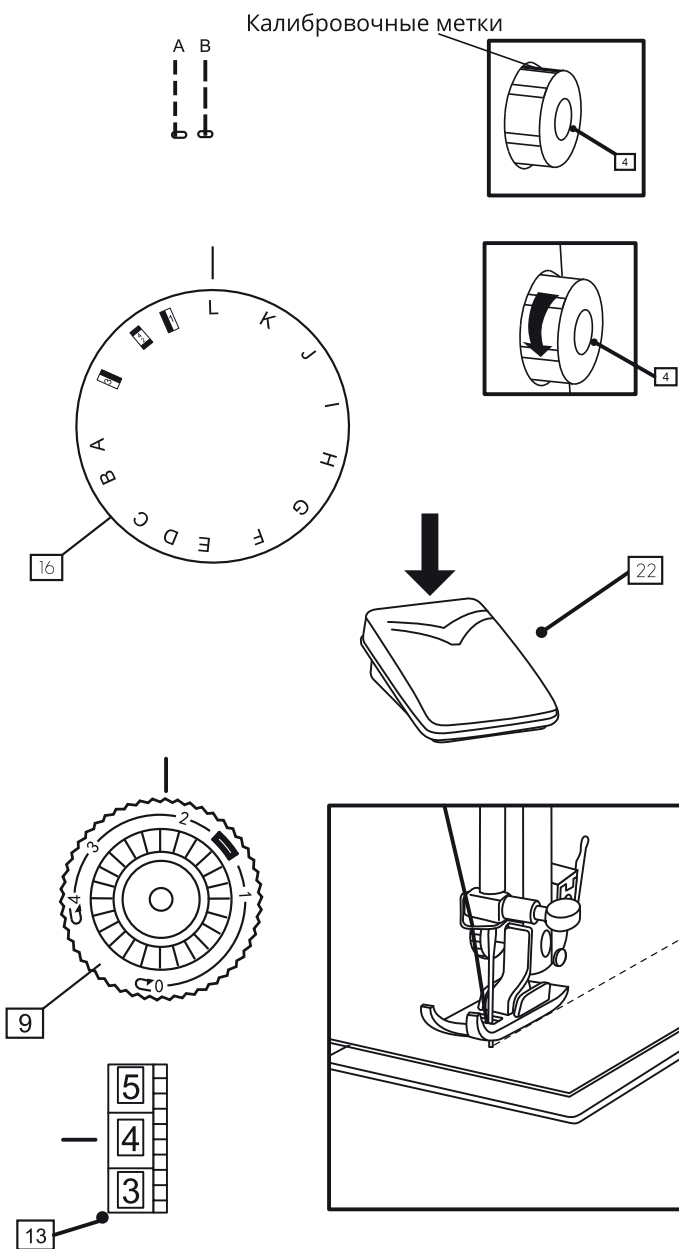


Примечание: перед вращением переключателя вида строчки убедитесь, что игла поднята над игольной пластиной и тканью. Поверните маховик против часовой стрелки для выбора калибровочной метки.

a: Установите переключатель строчки (16) в положение «А» или «В».

b: Установите регулятор натяжения нити в положение 2-6.

c: Регулятор длины стежка (9) можно установить на 1-4. Поднимите прижимную лапку (26) и выровняйте ткань по направляющей на игольной пластине. Отведите игольную (39) и нижнюю нити назад и опустите прижимную лапку (40). Плавно нажмите ножной привод и начните шить по направляющей.



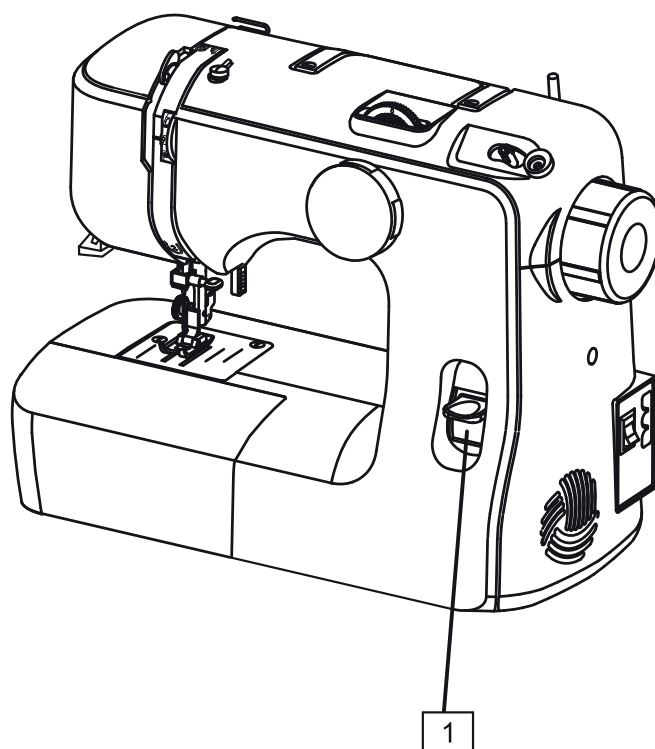
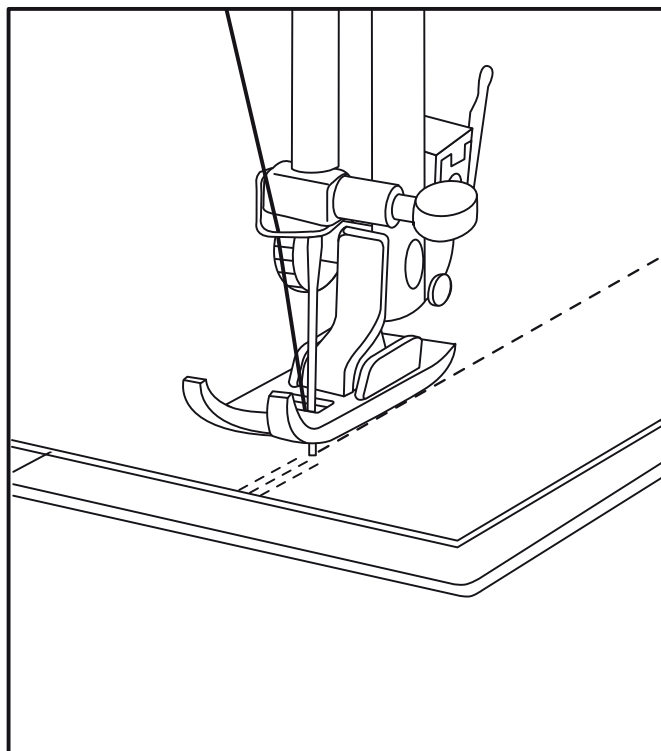
ШАГ 2: Стежки реверса

Стежки реверса используются для закрепки в начале и конце шва, где необходимо усиление шва.

В конце шва нажмите на рычаг обратной подачи (1) и слегка нажмите ножной привод.

Сделайте несколько стежков в обратном направлении.

Отпустите рычаг обратной подачи, и машина опять будет шить поступательно.



ШАГ 3: Окончание работы



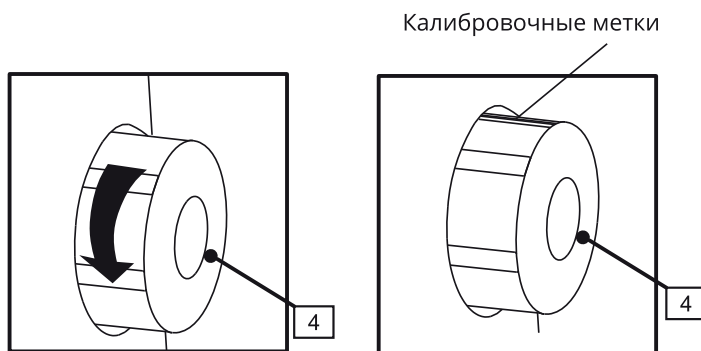
Примечание: вращайте маховик против часовой стрелки (на себя), чтобы поднять нитепритягиватель в верхнее положение.

Неправильное направление вращения маховика приведет к застреванию верхней и нижней нити под игольной пластиной.

Поверните маховик против часовой стрелки так, чтобы совпали калибровочные метки на маховике и на машине.

Вращайте маховик (4) на себя, чтобы поднять нитепритягиватель в верхнее положение.

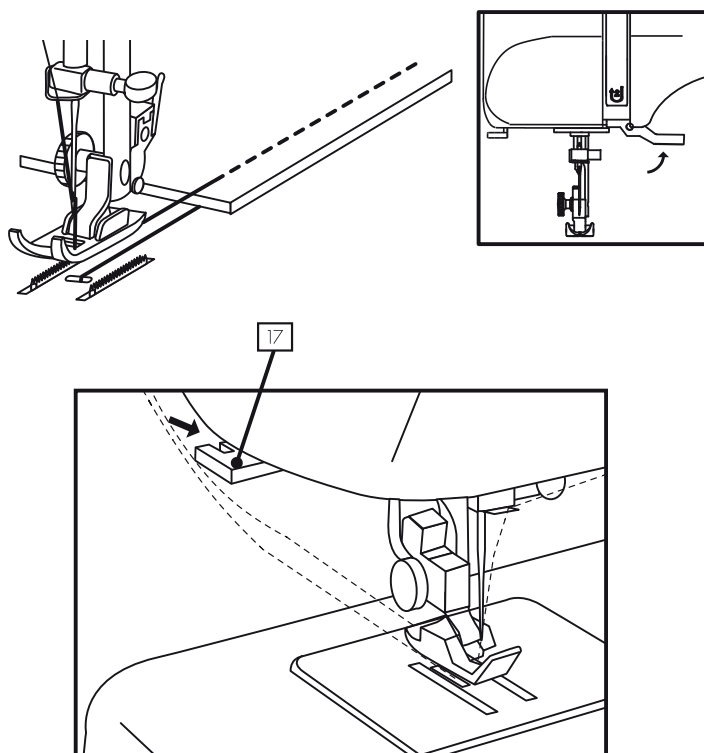
Поднимите прижимную лапку и оттяните ткань в направлении от себя.



ШАГ 4: Обрезка нити

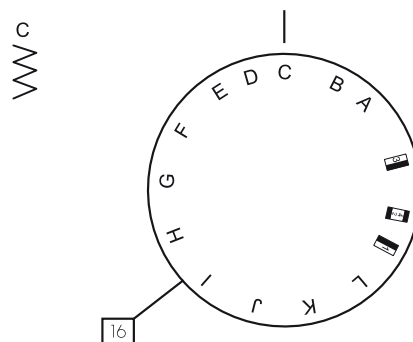
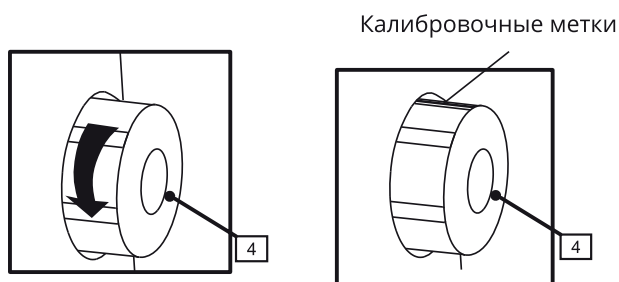
Возьмите нити рукой за прижимной лапкой.

Направьте их в прорезь нитеобрезателя (17), потяните вниз и обрежьте.



Выполнение различных швов

Примечание: перед вращением переключателя строчки убедитесь, что игла находится над игольной пластиной и тканью. В противном случае можно погнуть иглу. Вращайте маховик против часовой стрелки (на себя), чтобы поднять нитепритягиватель в верхнее положение. Неправильное направление вращения маховика приведет к застреванию верхней и нижней нити под игольной пластиной. Поверните маховик против часовой стрелки так, чтобы установить для шитья высшую метку.



ШАГ 1:

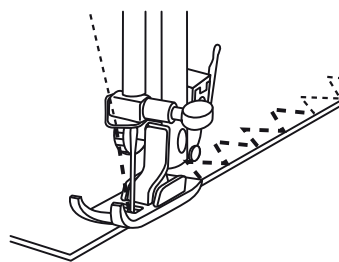
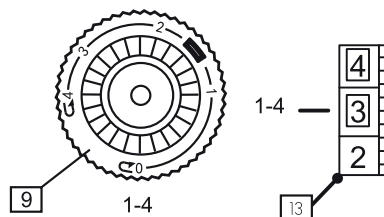
Обметочные строчки

Все обметочные строчки применяются для шитья, чистовой обработки краев и видимых швов в одной операции. Они используются в работе с тонким трикотажем, джерси, для обработки горловин или пришивания резинки.

Установите переключатель строчки (16) на «С». Установите регулятор натяжения нити (13) на 1-4. При чистовой обметке краев игла должна проходить вне материала у самой кромки ткани.

Двойная обметочная строчка используется в работе с тонким трикотажем, и джерси.

Регулятор длины стежка (9) можно установить между 1 и 4.



ШАГ 2:

Эластичный зигзаг

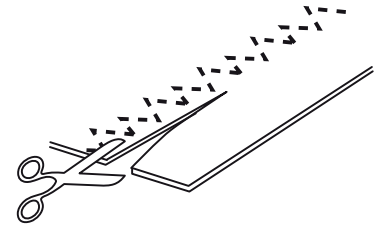
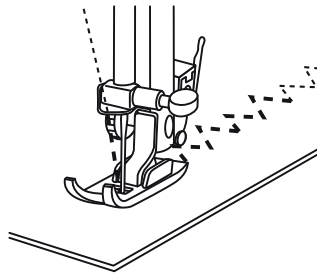
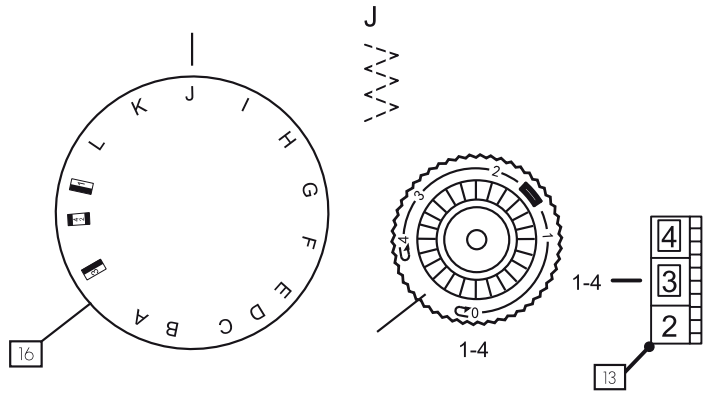
Установите переключатель строчки (16) на «J».

Установите переключатель строчки нити (13) на 1-4.

Регулятор длины стежка (9) можно установить между 1-4.

Используйте эту строчку для обработки сыпучих тканей, синтетического эластичного полотна и для пришивания резинки.

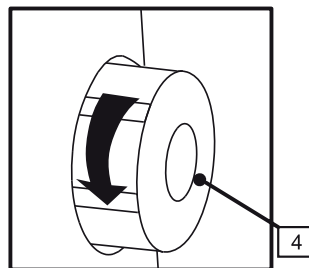
Отступите от кромки ткани, а после выполнения шва срежьте кромку, как показано на рисунке



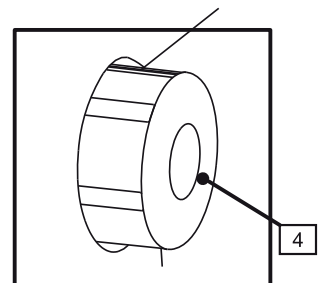
Примечание: обрезаая кромку, не повредите стежки.



Примечание: перед вращением переключателя строчки убедитесь, что игла находится над игольной пластиной и тканью. В противном случае можно погнуть иглу. Вращайте маховик против часовой стрелки (на себя), чтобы поднять нитепритягиватель в верхнее положение. Неправильное направление вращения маховика приведет к застреванию верхней и нижней нити под игольной пластиной.



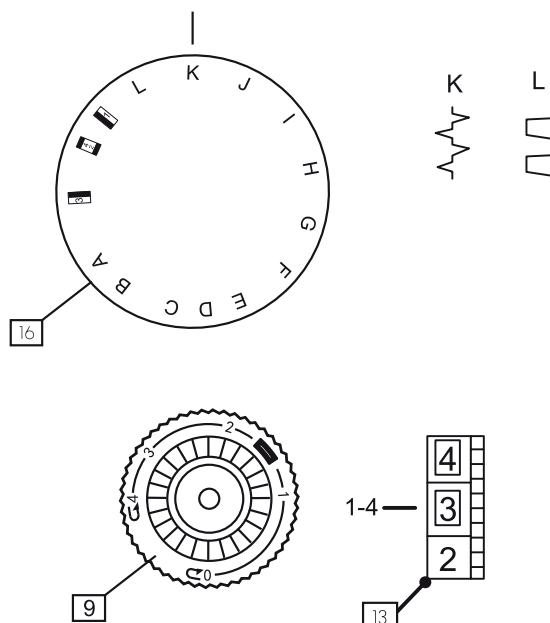
Калибровочные метки



Поверните маховик против часовой стрелки так, чтобы установить для шитья высшую метку.

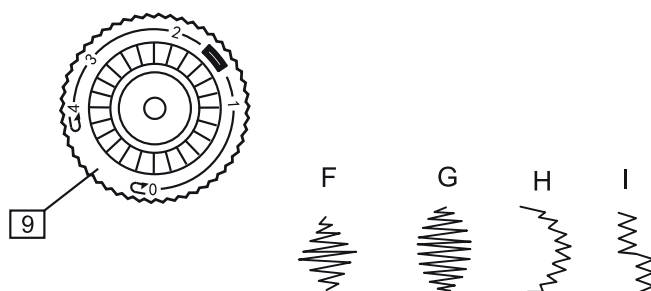
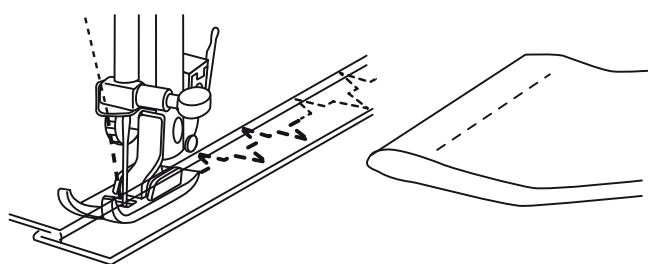
ШАГ 3: Потайная строчка

Установите переключатель строчки (16) на «K» или «L». Установите регулятор натяжения нити (13) на 1-4. Регулятор длины стежка (9) – между 1 и 4. Работая с неплотной или толстой тканью, вы можете обметать рыхлую кромку, сложить ткань и оставить кромку около 1 см. Во время шитья игла должна просто проходить через складку ткани. По окончании шитья прижмите ткань, чтобы потайной шов стал видимым на лицевой стороне.



ШАГ 4: Декоративная строчка

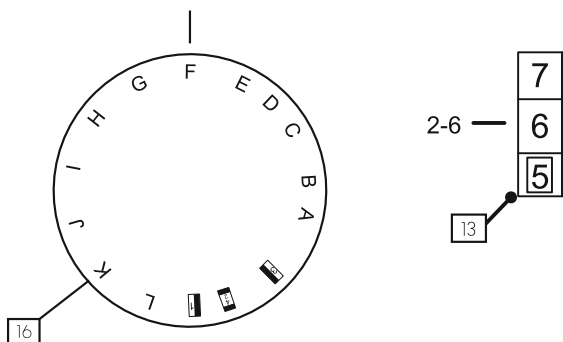
Установите переключатель строчки (16) на «F», «G», «H» или «I». Установите регулятор натяжения нити (13) на 6-8. Регулятор длины стежка (9) можно установить между 1-4. Отрегулируйте натяжение нити так, чтобы верхняя нить появилась на изнанке ткани. Сделайте пробные строчки на отдельном куске ткани.



Примечание: рекомендуется при шитье тонкой ткани использовать прокладку с изнанки ткани.



Примечание: перед вращением переключателя строчки убедитесь, что игла находится над игольной пластиной и тканью. В противном случае можно погнуть иглу. Вращайте маховик против часовой стрелки (на себя), чтобы поднять нитепротягиватель. Неправильное направление вращения маховика приведет к застреванию верхней и нижней нити под игольной пластиной.



ШАГ 5:

Обметывание петли



Примечание: мы рекомендуем попрактиковаться в обметывании петель на отдельном куске ткани перед началом работы.

Подготовка к обметыванию петли

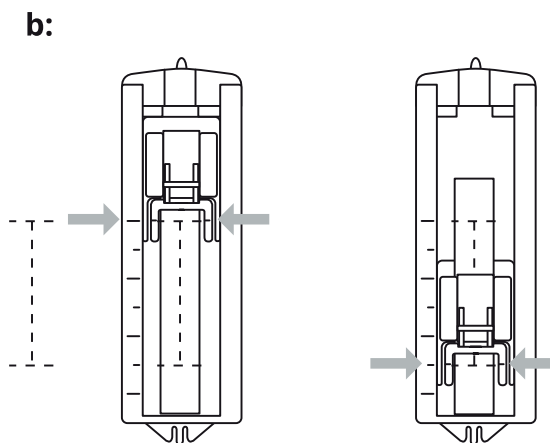
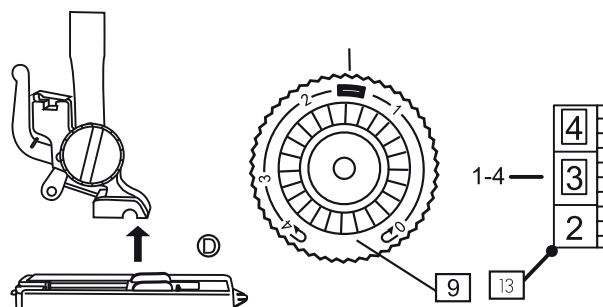
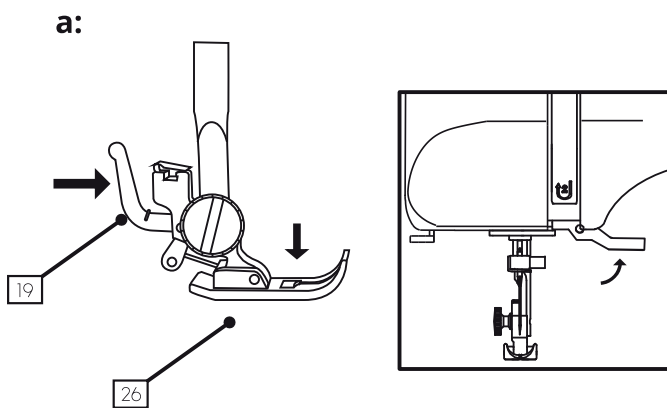
Измерьте диаметр пуговицы и добавьте к размеру 0,3 см (1/8 дюйма) на закрепку. Если пуговица толстая, добавьте больше к величине диаметра.

Отметьте мелком на ткани местоположение и длину петли.

a: Поднимите прижимную лапку и нажмите держатель (19), чтобы снять лапку (26). Закрепите лапку для петель (D).

b: Положите ткань так, чтобы игла оказалась на дальней от вас разметке. Переместите лапку для петель (D) в направлении «к себе» до упора. Опустите лапку.

Примечание: перед вращением переключателя строчки убедитесь, что игла находится над игольной пластиной и тканью. В противном случае можно погнуть иглу. Вращайте маховик против часовой стрелки (на себя), чтобы поднять нитепритягиватель в верхнее положение. Неправильное направление вращения маховика приведет к застреванию верхней и нижней нити под игольной пластиной.

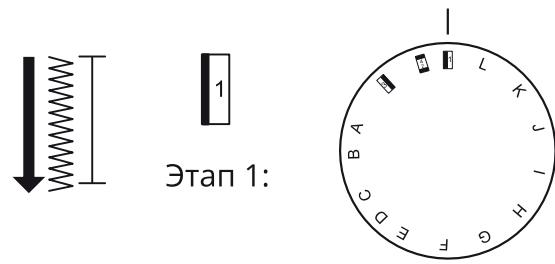


Разметка петли

Этап 1:

с: Установите переключатель строчки на **1**. Шейте на медленной скорости, пока не достигнете конца отметки. Поднимите иглу.

с:

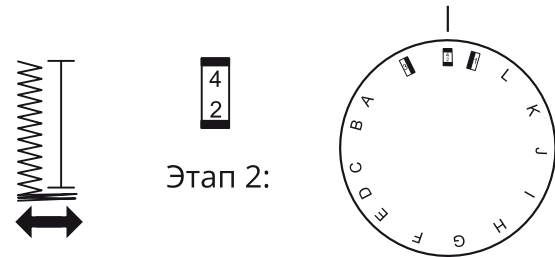


Этап 1:

Этап 2:

d: Установите переключатель строчки на **2** и сделайте 5-6 стежков для закрепки. По окончании поднимите иглу.

d:

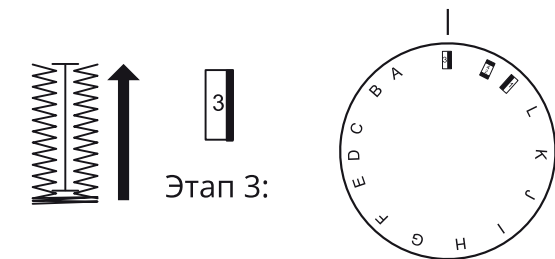


Этап 2:

Этап 3:

e: Установите переключатель строчки на **3** и обметайте левую сторону петли до отметки, конец которой дальше всего от вас. Обметав левую сторону, поднимите иглу.

e:

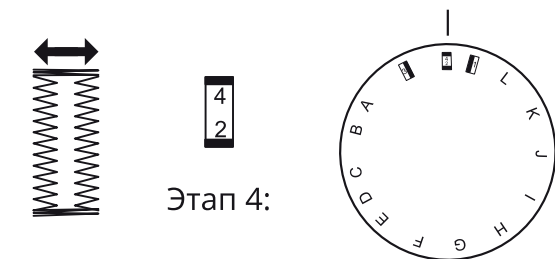


Этап 3:

Этап 4:

f: Установите переключатель строчки на **4** и сделайте 5-6 стежков для закрепки. По окончании поднимите лапку и достаньте ткань.

f:

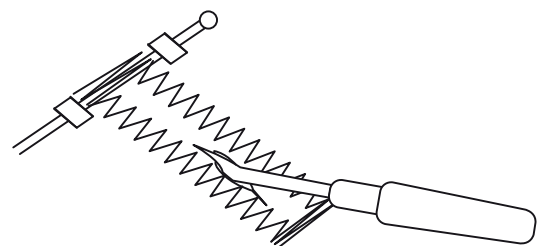


Этап 4:

Завершение обметки петли:

g: Протяните верхнюю нить под нижнюю часть изделия и свяжите верхнюю и нижнюю нити вместе. Сделайте воспаривателем разрез в середине петли. Чтобы не повредить стежки, проколите ткань булавкой перед закрепкой.

g:



Советы:

h: Для лучшего качества слегка ослабьте верхнее натяжение.

Для тонкой или растягивающейся ткани используйте стабилизатор.

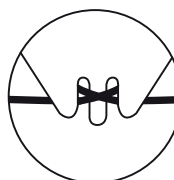
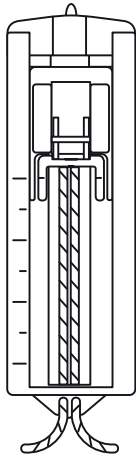
Мы рекомендуем заколоть булавки на концах петли, чтобы не повредить петли вспарывателем.

Для обметки петель на растягивающемся или трикотажном полотне рекомендуется использовать шнур. Шов-зигзаг проходит поверх шнура.

Зацепите шнур за выступ на лапке, протяните под его под лапкой и закрепите, как показано на рисунке.

Линии на лапке можно использовать как направляющие при обметке большого числа петель.

h:



Обметка петли с использованием шнура

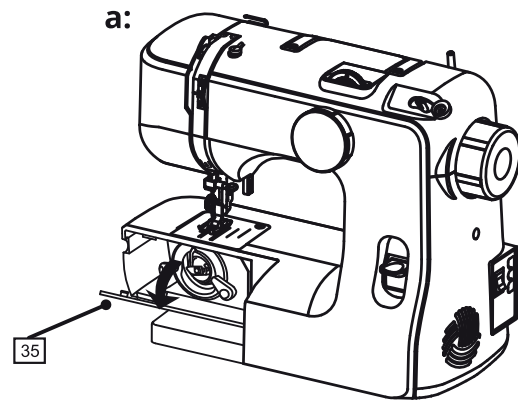
Уход за машиной



Внимание: перед чисткой отключите питание и вытащите вилку из розетки. Разбирать машину необходимо строго следуя инструкции.

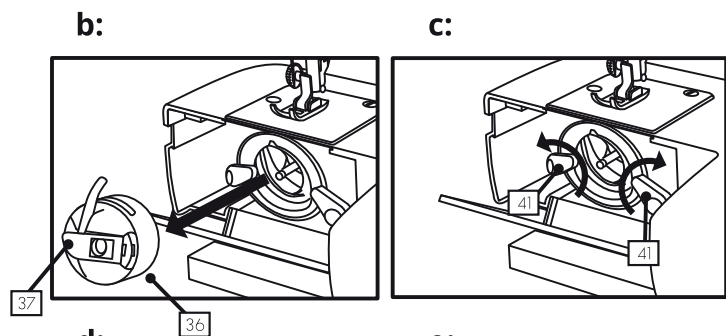
Разборка челночного устройства:

- 41 – Держатель накладного кольца
- 42 – Накладное кольцо
- 43 – Захват
- 44 – Гнездо челнока

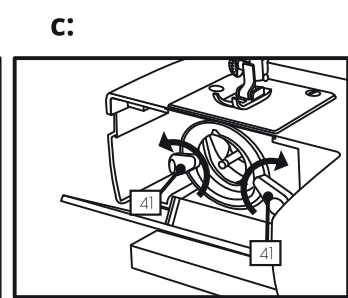


a: Поднимите иглу вверх и откройте челночный отсек (35).

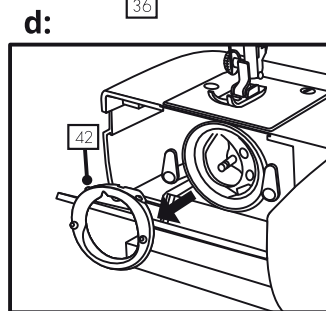
b: Откройте защелку (37) шпульного колпачка (36) и выньте колпачок из машины.



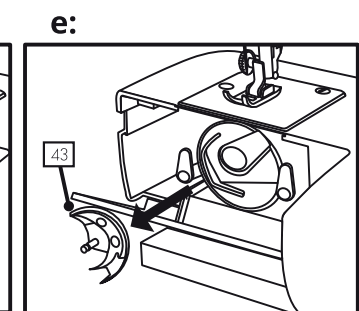
c: Откройте держатель накладного кольца (41).



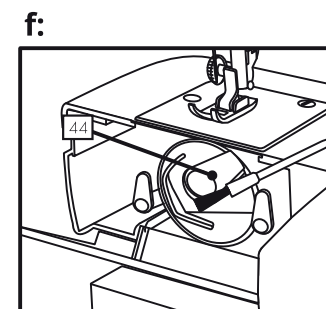
d: Выньте накладное кольцо (42).



e: Выньте захват (43).

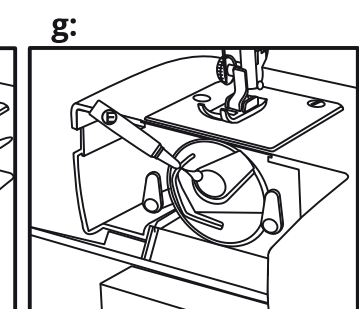


f: Очистите гнездо челнока (44) щеткой и мягкой сухой тряпкой.



Смазка челночных гнезд:

g: Перед сборкой челночного устройства капните несколько капель качественного машинного масла (E) в челночное гнездо.

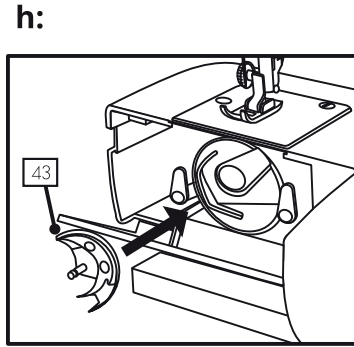


Примечание: используйте масло экономно, так как избыток масла оставит пятна на ткани.

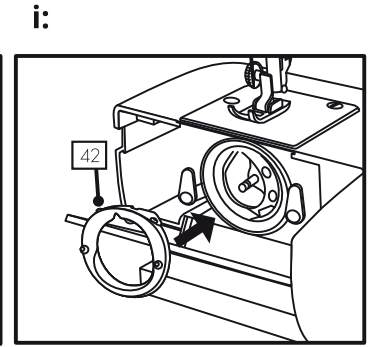
ШАГ 1:

Сборка челночного устройства

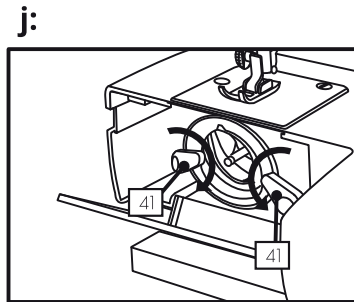
h: Возьмите захват (43) в центре и осторожно установите в гнездо, чтобы получился безупречный круг с гоном челнока.



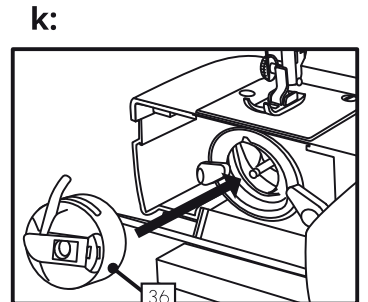
i: Установите накладное кольцо (42). Убедитесь, что нижний штифт попал в прорезь.



j: Зафиксируйте накладное кольцо, установив держатель (41) на прежнее место.



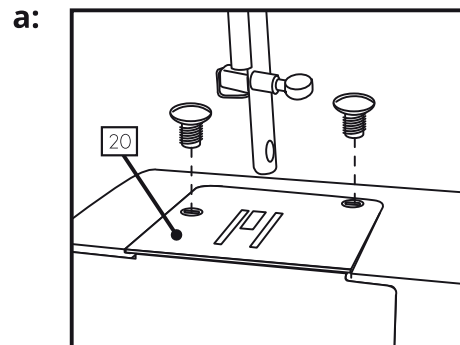
k: Вставьте шпульный колпачок (36).



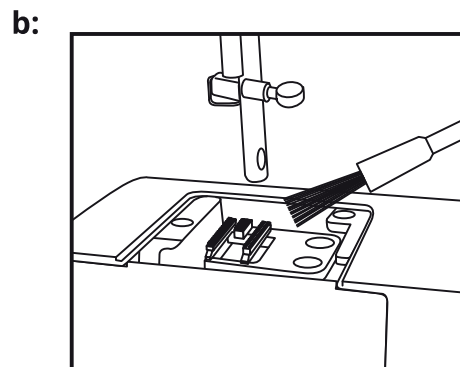
ШАГ 2:

Чистка механизма подачи ткани

a: Снимите иглу и прижимную лапку. Открутите винты и снимите игольную пластину (20).



b: Очистите зубцы транспортера ткани от пыли и ворса. Установите игольную пластину на прежнее место



ШАГ 3:



Внимание: перед чисткой отключите питание и вытащите вилку из розетки. Разбирать машину необходимо строго следуя инструкции.

Смазка швейной машины

Капните по несколько капель качественного машинного масла (E) в места, указанные стрелками на рисунках.

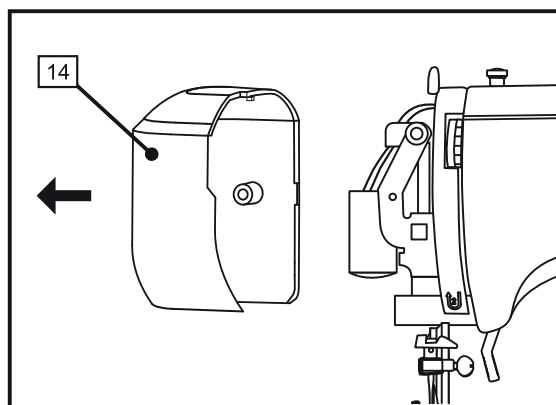
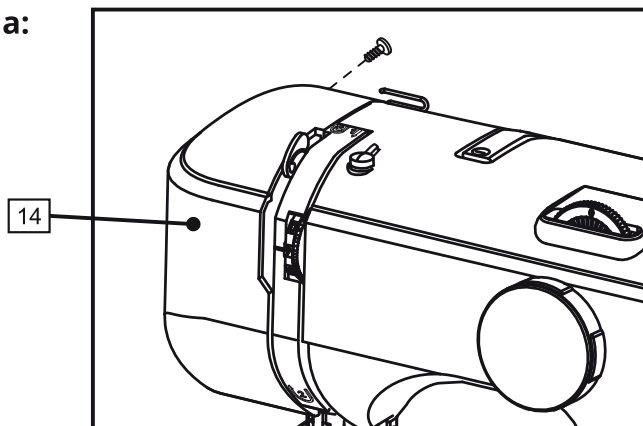
a: Отключите электропитание. Выкрутите винты и снимите фронтальную крышку (14).

b: Капните масло в места, указанные стрелками.

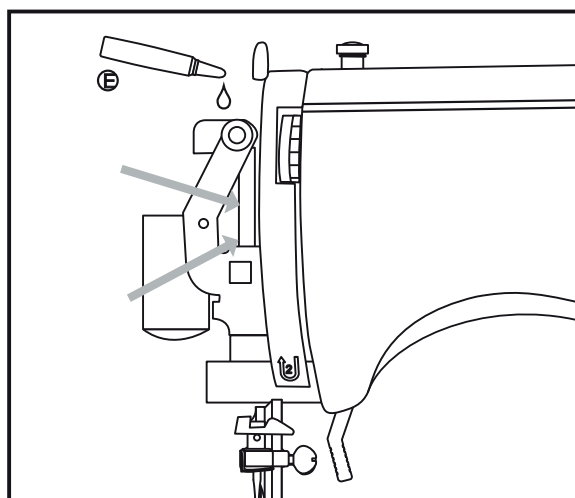
Если машина часто эксплуатируется, смазку надо повторять два или три раза в год.

Перед и после смазки аккуратно уберите тряпкой избыток масла.

a:



b:



Устранение неисправностей

Проблема	Причина	Устранение
Обрыв верхней нити	<ol style="list-style-type: none"> 1. Машина неправильно заправлена. 2. Слишком сильное натяжение нити. 3. Нить, очень толстая для иглы. 4. Игла неправильно вставлена. 5. Нить обматывается вокруг стержня катушки. 6. Игла повреждена. 	<ol style="list-style-type: none"> 1. Правильно заправьте машину, см. стр. 10 2. Ослабьте натяжение нити (меньший номер), см. стр. 14 3. Установите толстую иглу, см. стр. 8 4. Правильно вставьте иглу, см. стр. 7 5. Снимите катушку и размотайте нитки, см. стр. 13 6. Замените иглу, см. стр. 7
Обрыв нижней нити	<ol style="list-style-type: none"> 1. Шпульный колпачок неправильно установлен. 2. Нижняя нить неправильно заправлена. 3. Слишком сильное натяжение нижней нити. 4. Шпульный колпачок забит ворсом. 5. Шпулька повреждена и плохо вращается. 	<ol style="list-style-type: none"> 1. Выньте и снова установите шпульный колпачок, заправьте нить. Она должна легко тянуться, см. стр. 12 2. Проверьте шпульку и шпульный колпачок, см. стр. 11 3. Ослабьте натяжение нижней нити, см. стр. 14 4. Вычистите шпульный колпачок, см. стр. 25 5. Замените шпульку, см. стр. 11
Пропуск стежков	<ol style="list-style-type: none"> 1. Игла неправильно установлена. 2. Игла повреждена. 3. Несоответствующий размер и/или тип иглы. 4. Прижимная лапка установлена неправильно. 	<ol style="list-style-type: none"> 1. Правильно установите иглу, см. стр. 7 2. Вставьте новую иглу, см. стр. 7 3. Выберите нужный номер иглы согласно виду ткани, см. стр. 8 4. Установите прижимную лапку правильно, см. стр. 6
Поломка иглы	<ol style="list-style-type: none"> 1. Игла повреждена. 2. Игла неправильно вставлена. 3. Зажимной винт иглы ослаблен. 4. Слишком сильное натяжение верхней нити. 5. Неправильный выбор иглы для ткани. 6. Указатель вида строчки поворачивался, когда игла была в ткани. 7. Прижимная лапка не соответствует выбранной строчке. 	<ol style="list-style-type: none"> 1. Вставьте новую иглу, см. стр. 7 2. Установите иглу правильно, см. стр. 7 3. Затяните зажимной винт иглы, см. стр. 7 4. Ослабьте натяжение верхней нити, см. стр. 14 5. Выберите иглу в соответствии ткани и нити, см. стр. 8 6. Всегда поднимайте иглу перед использованием указателем вида строчки, см. стр. 6 7. Выберите соответствующую лапку

Проблема	Причина	Устранение
Швы стягиваются или собираются	<ol style="list-style-type: none"> 1. Слишком сильное натяжение нити. 2. Неправильная заправка машины. 3. Неправильный выбор длины стежка. 	<ol style="list-style-type: none"> 1. Ослабьте натяжение верхней нити. 2. Проверьте заправку машины. 3. Отрегулируйте длину стежка. <p>Примечание: Во время шитья легкой ткани подложите под ткань бумагу.</p>
Стежки образуют петли на изнанке ткани	<ol style="list-style-type: none"> 1. Неправильная заправка машины. 2. Неправильная заправка шпульного колпачка. 3. Неправильный подбор иглы/ткани/нити. 	<ol style="list-style-type: none"> 1. Проверьте заправку машины. 2. Проверьте заправку шпульного колпачка. 3. Номер иглы должен соответствовать типу ткани и номеру нити. 4. Отрегулируйте натяжение нити.
Неровные стежки, неровное продвижение ткани	<ol style="list-style-type: none"> 1. Нитки плохого качества. 2. Неправильная заправка шпульного колпачка. 3. Ткань тянут во время шитья. 	<ol style="list-style-type: none"> 1. Выберите нитки хорошего качества. 2. Проверьте заправку шпульного колпачка. 3. Не тяните ткань при шитье, машина должна продвигать ткань.
Машина шумно работает	<ol style="list-style-type: none"> 1. Машину необходимо смазать. 2. Ворс и масло скопились в челноке и на игловодителе. 3. Плохое качество машинного масла. 4. Игла повреждена. 	<ol style="list-style-type: none"> 1. Смажьте машину. 2. Очистите челнок и игловодитель согласно инструкции. 3. Используйте машинное масло хорошего качества. 4. Замените иглу.
Заедание нити, машина не работает	<ol style="list-style-type: none"> 1. Нить застревает в челноке. 2. Машина не включена в сеть. 3. Маховик отсоединена для намотки шпульки. 	<ol style="list-style-type: none"> 1. Снимите верхнюю нить и выньте шпульный колпачок. Сделайте движение маховиком назад-вперед и удалите остатки нити. Нанесите смазку согласно описанию. 2. Включите машину в сеть. 3. Нажмите на маховик до щелчка для подключения.
Неравномерные стежки обметки петель	<ol style="list-style-type: none"> 1. Длина стежков не соответствует типу ткани. 2. Ткань тянут или удерживают. 	<ol style="list-style-type: none"> 1. Отрегулируйте длину стежка. 2. Не направляйте ткань с применением силы.

Технические характеристики

Скорость шитья	650±50 об./мин.
Номер иглы	14
Мощность	70 ватт (двигатель) + 1 ватт (лампочка)
Напряжение	240В, 50/60 Гц
Высота прижимной лапки	5,5 мм
Размер машины	35 x 15.2 x 28 см
Вес	Брутто 6 кг/Нетто 5 кг
Размер в упаковке	405 x 210 x 330 мм

ПРОИЗВОДИТЕЛЬ

ZHEJIANG HENGQIANG SEWING MACHINE GROUP CO., LTD. CHINA
ЧЖУНЬЦЗЯН ХЭНГКВИАНГ СЬЮИНГ МАШИН ГРУП КО., ЛТД. КИТАЙ

ИМПОРТЁР В РОССИИ:

АО ПКФ «ВЕЛЛЕС»
123308, Москва, проспект Маршала Жукова, д. 2, э. 3, пом. 1, к. 19, оф. А1К

ИМПОРТЁР И СЕРВИСНЫЙ ЦЕНТР В РЕСПУБЛИКЕ БЕЛАРУСЬ:

ООО «Сьютрейд»
220136, г. Минск, ул. Скрипникова, д.12, пом. 90, каб. 1

ИМПОРТЁР В УКРАИНЕ:

ТОВ «Роксолана-Україна»
04071, м. Київ, вул. Введенська, будинок 29/58, офіс 98

ДАТА ПРОИЗВОДСТВА

Информация о дате производства находится на товарной упаковке и корпусе машины

СЕРИЙНЫЙ НОМЕР

Информация о серийном номере находится на товарной упаковке и корпусе машины.
Серийный номер состоит из года выпуска, месяца, номера машины см. как показано ниже.
Образец прочтения серийного номера:
2006000001, где 20 - 2020 год, 06 - месяц выпуска, 000001 - номер машины

СРОК ЭКСПЛУАТАЦИИ

Срок эксплуатации бытовой швейной машины – 8 лет